



ANEST IWATA Americas, Inc.
COATING EQUIPMENT

1. GENERAL INFORMATION

- ANEST IWATA GROUP COMPANIES 4
- SPLIT NOZZLE TECHNOLOGY 6
- SYSTEM SOLUTIONS - CUBIC LINE 8
- GENERAL INFORMATION & NOZZLE/FAN PATTERN CONVERSIONS 9

2. MANUAL SPRAY GUNS

HVLP/COMPLIANT

- LS-400 SERIES 2 BASE GRAVITY 10
- WS-400 SERIES 2 BASE GRAVITY 12
- WS-400 SERIES 2 CLEAR GRAVITY 14
- LPH-400-LV | LPH-400-LVX GRAVITY 16
- W-400-LV-WBX GRAVITY 18
- WIDER1L SIPHON | SIDE GRAVITY | PRESSURE 20
- WIDER2L PRESSURE 22
- LPH-300-LV GRAVITY 24
- LPH-80 GRAVITY 26
- LPH-50 GRAVITY 28
- AIR GUNSA AZ1-HVLP-CONCEPT PRESSURE 30
- AIR GUNSA AZ3HTE-S IMPACT GRAVITY 32
- AIR GUNSA AZ3 HV-2 HVLP GRAVITY 34
- W-400-LV GRAVITY 36

CONVENTIONAL

- WS-200 SERIES 38
- W-400 GRAVITY 40
- WIDER1 SIPHON | SIDE GRAVITY | PRESSURE 42
- WIDER2 SIPHON | SIDE GRAVITY | PRESSURE 44
- AIR GUNSA AZ3HTE-2 GRAVITY 46
- AIR GUNSA AZ3 HTE P.A.S. CONCEPT GRAVITY 48

SPECIAL PURPOSE

- WIDER1 EXTENSION LW1-10E1 / LW-18N1 PRESSURE 50
- COG2 | COG1 ADHESIVE SIPHON | PRESSURE 52
- TOF-50 | TOF-50R COMPACT PRESSURE 54
- RG-3L ROUND PATTERN SIDE GRAVITY 56
- KATANA PLUS HVLP SPRAY GUN 58

CUPS & CONTAINERS

- FAST FLOW SYSTEM SEALED SPRAY CUPS 59
- CUPS & CONTAINERS FOR MANUAL SPRAY GUNS 60

HOSES & FITTINGS

- HOSES & FITTINGS FOR LOW PRESSURE APPLICATIONS 64

3. AUTOMATIC SPRAY GUNS

GENERAL PURPOSE

- MSGS-M200 AUTOMATIC MULTI SPRAY GUN 66
- WIDER1A | WIDER2A 68
- WIDER2AL | WIDER1AL 70
- AS-80 SUPER COMPACT 72

ROBOT APPLICATION

- WRA-101 | WRA-200 | LRA-200 74
- WA-M220 | WA-M220-L WITHOUT MANIFOLD 76

SPECIAL PURPOSE

- WA-1218 | WA-0915 | WA-0609 WITH EXTENSION NOZZLE 78
- TOF-5B | TOF-5RB | TOF-6B | TOF-6RB 80
- SGA-101 81
- COG-A200 | COG-R200 82

Part numbers, images, and availability are subject to change without notice.

Catalogs, price lists, and other advertising materials are produced for informational purposes only. No information contained is these documents shall be constituted as a binding offer from the manufacturer or manufacturer's distributor.



4. LOW PRESSURE FLUID APPLICATIONS

DOUBLE DIAPHRAGM PUMP UNITS & ACCESSORIES

- DPS-120 | DPS-90 84
- DPS-70C | DPS-70CN 85
- PUMP ACCESSORIES 90

PRESSURE POTS

- PC-18D 2 QUART PRESSURE POT 94
- PC-18DT PTFE COATED 2 QUART PRESSURE POT 95
- PC-18DM 2 QUART PRESSURE POT 96
- PET-10 2.5 GALLON PRESSURE POT 98
- PT-10D | PT-20D | PT-40D | PT-60D | PT-80D 10-80L PRESSURE POTS 100
- PT-10DM | PT-20DM | PT-40DM | PT-60DM | PT-80DM 10-80L PRESSURE POTS 104
- PET-10N/MN | PET-30N/MN | PET-50N/MN STAINLESS STEEL PRESSURE TANKS 108

5. MEDIUM & HIGH PRESSURE FLUID APPLICATIONS

FLOW GUNS

- FG-6 | FG-61 | FG-62 110

AIRLESS SPRAY GUNS

- ALG-7 | ALG-72 | ALG-73 111

MSGS-200 MULTI SPRAY SERIES SPRAY GUNS

- MSGS-200 120S / 120L / 250S / 250L 112

MULTI SPRAY UNITS

- iCon-M433N 36:1 | iCon-M333N 32:1 116
- iCon-M433N 36:1 | iCon-M333N 32:1 CART MOUNT 117
- iCon-M433N 36:1 | iCon-M333N 32:1 WALL MOUNT 118
- iCon FLATLINE COATING SYSTEM 119
- iCon-M233N 30:1 SYSTEMS 120
- iCon-M433N 36:1 | iCon-M333N 32:1 SPARE PARTS 126
- iCon-M233N 30:1 SYSTEMS SPARE PARTS 132
- iCon FLATLINE COATING SYSTEM SPARE PARTS 136
- MSU 11N 13:1 | MSU 32N 17:1 136
- MSU-323 C | MSU-323 CTX | MSU-423 TX | MSU-433 TX 140

AIRLESS UNITS

- ALS-333 C | ALS-423 TX | ALS-433 C | ALS-433 TX 144

ACCESSORIES - AIRLESS & MULTI SPRAY UNITS

- PAINT FILTER UNITS 148
- AIR REGULATORS 149
- MEDIUM & HIGH PRESSURE HOSES 150
- SUCTION ROD WITH FILTER 150
- WHEEL CART FOR MSU-113N 150
- DRAIN OPERATING VALVE SET FOR MSU-113N 150

6. ACCESSORIES

- PREMIUM MICRO-FABRIC SPRAY SUIT by FBS ProPlus Gard 152
- ANEST IWATA SPRAY GUN CABINET 153
- ANEST IWATA MK-5 PROFESSIONAL SPRAY GUN MAINTENANCE KIT 153

7. IWATA AIRBRUSHES AND COMPRESSORS

- ECLIPSE AIRBRUSH SERIES 154
- NEO FOR IWATA CN AND BCN 156
- IWATA AIR COMPRESSORS 158



ANEST IWATA Corporation, with headquarters located in Shin-Yokohama Japan, is a world-leader in the development and manufacture of high-quality air compressors, vacuum pumps, coating equipment & systems and liquid handling equipment & systems.

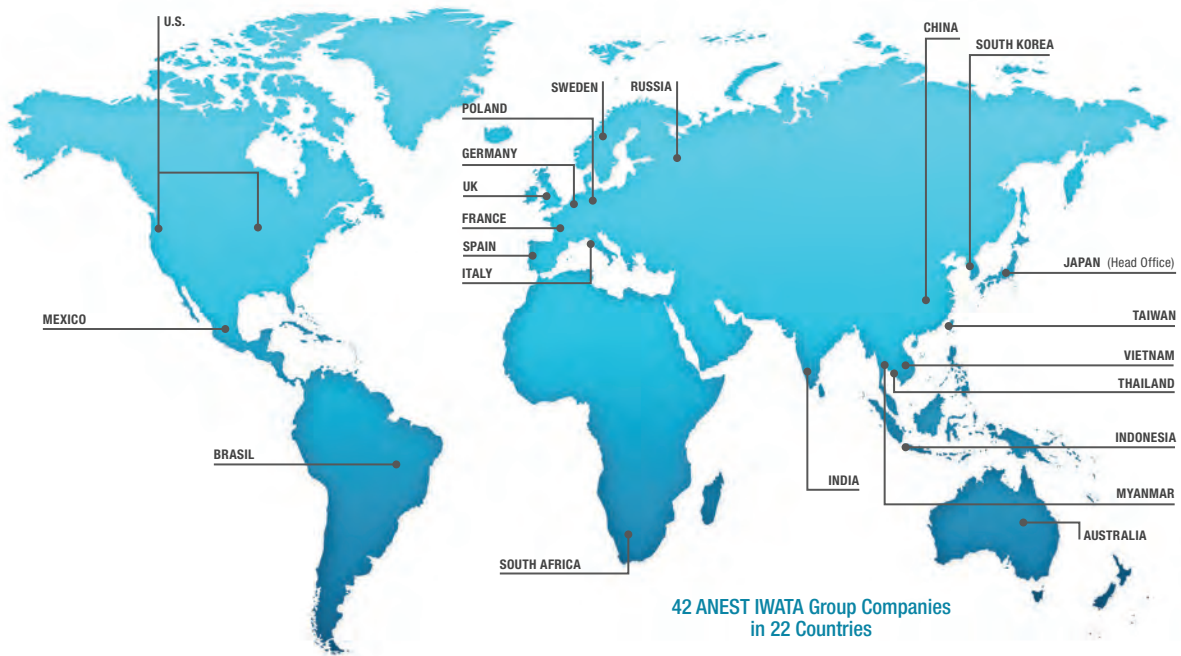
It was founded in 1926 as Iwata Seisakusho and was the very first production of spray guns in Japan.

The company name was changed from Iwata Seisakusho to Iwata Air Compressor Mfg. Col, Ltd. in 1957.

In 1973 Iwata Air Compressor Mfg. Col, Ltd. went public and was listed on both the Tokyo and Osaka stock exchange.

In 1996 the Iwata Air Compressor Mfg. Col, Ltd. company name was changed to its current name ANEST IWATA

Today ANEST IWATA is represented around the world through 42 group companies and subsidiaries and employs about 1,745 employees worldwide. www.anest-iwata.co.jp.



ANEST IWATA group companies work together (ONE ANEST IWATA) to provide unique (ONLY ONE) products and become NUMBER ONE (No. 1) in each market we serve.



Iwata is the airbrush brand and is represented at the global headquarters of ANEST Iwata-Medea, Inc., in Portland, Oregon. www.iwata-airbrush.com



ANEST IWATA Americas, Inc. is located in West Chester, Ohio and is responsible for North American sales and distribution of ANEST IWATA products and systems.



Where Passion, Innovation, and Creativity Meet.



Your passion fuels our innovation and creativity for developing coating solutions and technologies that drive our industries forward.

Our passion is to inspire and elevate your creativity and innovation by delivering high quality, easy to use coating solutions that you can trust each and every time.

When passion, innovation, and creativity meet – that's **TEAM IWATA.**

#TeamIwata



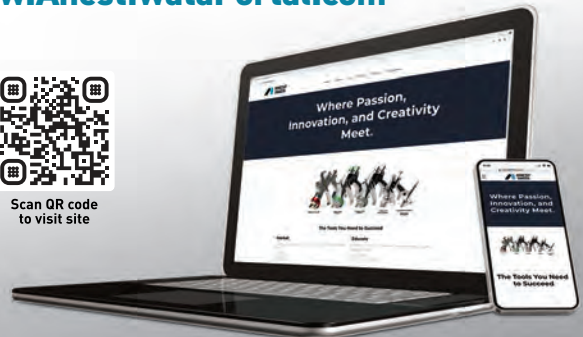
The Tools You Need to Succeed www.AnestIwataPortal.com

Quickly find these resources and more...

- ANEST IWATA Brand Assets and Images
- Catalogs, Brochures and Sales Sheets
- Environmental and Compliancy Letters
- Troubleshooting and Maintenance



Scan QR code to visit site



PROVEN SPLIT NOZZLE™ TECHNOLOGY



SAVE TIME WITH LESS REWORK

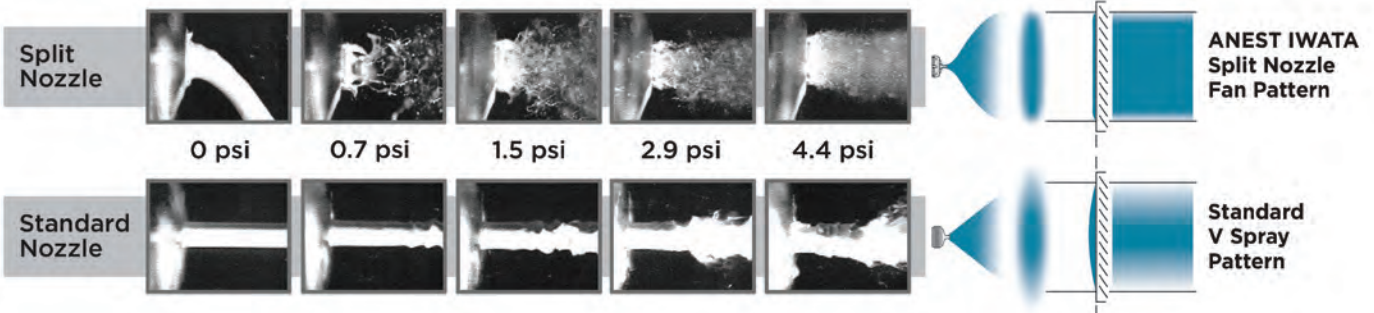
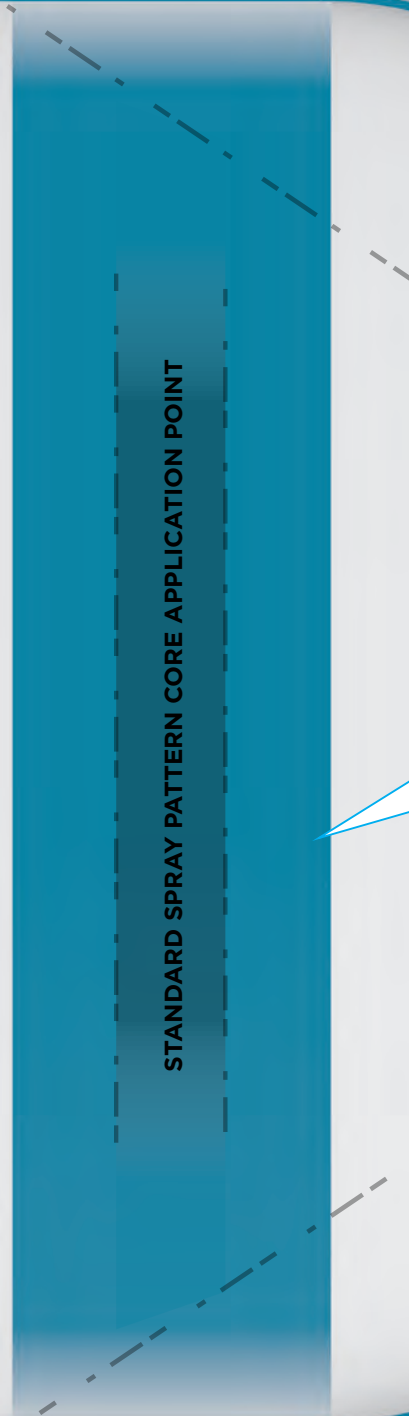
Split Nozzle Technology evenly distributes droplets for a uniform flat finish requiring less polishing to speed up production.

SAVE MATERIALS WITH LESS OVERSPRAY

Split Nozzle Technology creates our unique ANEST IWATA Split Nozzle Fan Pattern with larger core application point resulting in better transfer efficiency saving you material.

SAVE ENERGY WITH LESS AIR CONSUMPTION

Spray guns with Split Nozzle Technology spray at a low psi for lower compressor cycle times and electrical savings.



**ANEST IWATA
Split Nozzle
Fan Pattern**

STANDARD V SPRAY PATTERN

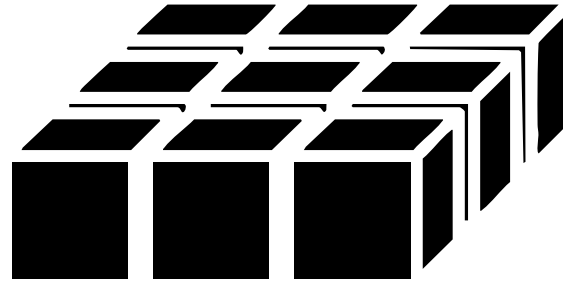
**ANEST IWATA
Split Nozzle Fan
Pattern Core
Application Point**

The core application point is where paint is most consistent.



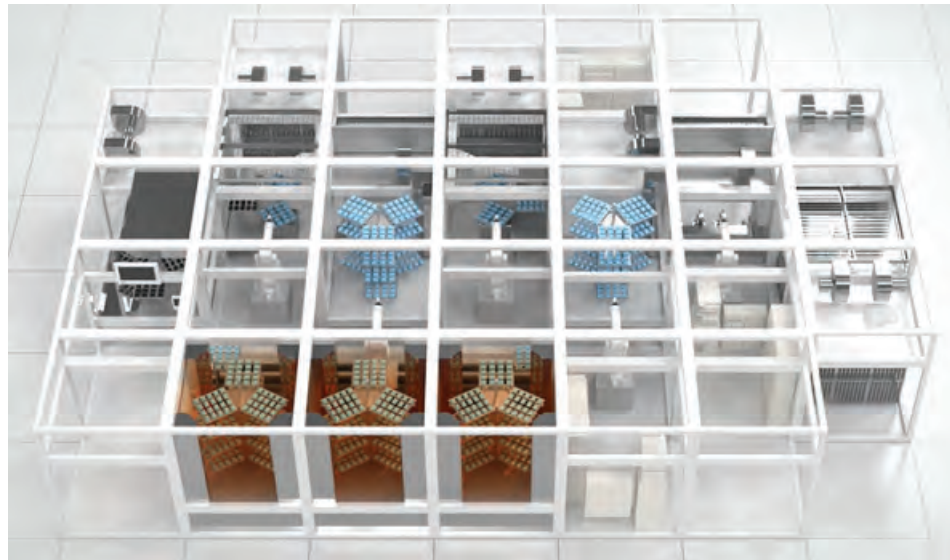
**Proven Split Nozzle
Dual-Atomization for
a Uniform Flat Finish**

THE FUTURE OF COATING IS NEAR



CUBIC LINE

CUBIC LINE REVOLUTIONIZES MANUFACTURING



Revolutionary cube-based design lets you configure your coating line in a modular fashion - exactly how you need it. Transfer robots seamlessly move parts between stations, eliminating the need for bulky conveyors.

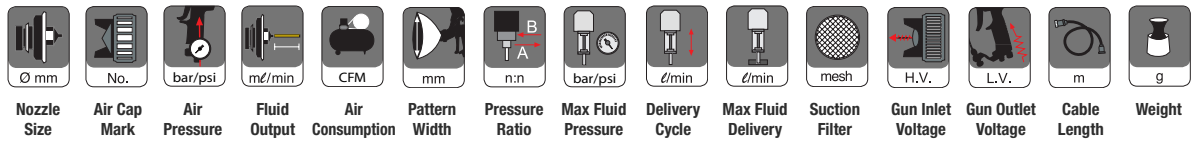
Perfect for manufacturers facing worker shortages, evolving production needs, space constraints, or complex automation requirements. Maximize your existing space potential with the cubic line's complete painting system solution.

CUBIC LINE handles it all.

Reach out to learn more about our innovative products and global expertise that deliver results.



ICONS EXPLAINED



HOW TO READ CHARTS

1. MODEL NAME
2. DESCRIPTION
3. NOZZLE SIZE
4. CODE
5. AIR CAP SET
6. NOZZLE & NEEDLE

ORDER INFORMATION - W-101 PRESSURE					
1	W-101	ø 0.8	ø 1.0	3 ø 1.3	ø 1.5
2	PRESSURE SPRAY GUN	4400B	4403B	4 4405B	4407B
6	NOZZLE + NEEDLE SET	93706610	93691610	93666610	93698610
5	AIR CAP SET	E2P 93704610			

NOZZLE CONVERSIONS

MM	INCH	MM	INCH	MM	INCH
0.4	0.016	1.3	0.051	1.9	0.075
0.6	0.024	1.4	0.055	2.0	0.079
0.8	0.031	1.5	0.059	2.5	0.098
1.0	0.039	1.6	0.063	3.0	0.12
1.1	0.043	1.7	0.067	3.5	0.14
1.2	0.047	1.8	0.071		

FAN PATTERN CONVERSIONS

MM	INCH	MM	INCH	MM	INCH
0	0	210	8.2677	420	16.535
10	0.3937	220	8.6614	430	16.929
20	0.7874	230	9.0551	440	17.323
30	1.1811	240	9.4488	450	17.717
40	1.5748	250	9.8425	460	18.11
50	1.9685	260	10.236	470	18.504
60	2.3622	270	10.63	480	18.898
70	2.7559	280	11.024	490	19.291
80	3.1496	290	11.417	500	19.685
90	3.5433	300	11.811	510	20.079
100	3.937	310	12.205	520	20.472
110	4.3307	320	12.598	530	20.866
120	4.7244	330	12.992	540	21.26
130	5.1181	340	13.386	550	21.654
140	5.5118	350	13.78	560	22.047
150	5.9055	350	14.173	570	22.441
160	6.2992	370	14.567	580	22.835
170	6.6929	380	14.961	590	23.228
180	7.0866	390	15.354	600	23.622
190	7.4803	400	15.748	610	24.016
200	7.874	410	16.142	620	24.409

LS-400 SERIES 2 BASE



Digital



Non-Digital

FEATURES

- HVLP spray gun with low operating air pressure
- Exclusive Split Nozzle™ 2.0 Technology for repeatable results and unmatched performance
- Ideal for a wide range of solvent and waterborne base coat applications
- Nozzle configurations to optimize your paint and climate conditions
- Optional DPG1 high-performance digital pressure regulator allows air adjustment convenience without disrupting the spray gun ergonomics

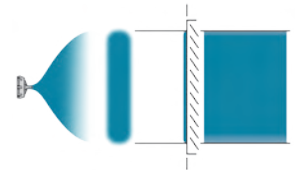
TECHNICAL	digital	ø mm	application speed	no.	bar/psi	m ² /min	CFM	mm/in
-----------	---------	------	-------------------	-----	---------	---------------------	-----	-------

ET: FOR STANDARD CLIMATE APPLICATION									
LS-400-SR2D-1206	Y	1.2 ET	CONTROL	LS-400-06	1.8/26	165	14.1	230/9.1	
LS-400-SR2-1206			STANDARD					235/9.3	
LS-400-SR2D-1306	Y	1.3 ET	SPEED					175	240/9.4
LS-400-SR2-1306			HIGH SPEED					185	245/9.6
LS-400-SR2D-1406	Y	1.4 ET						190	
LS-400-SR2-1406									
LS-400-SR2D-1506	Y	1.5 ET							
LS-400-SR2-1506									

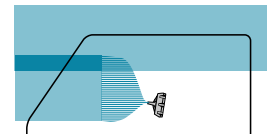
ETS: FOR HOT/DRY CLIMATE APPLICATION									
LS-400-SR2D-12S06	Y	1.2 ETS	CONTROL	LS-400-06	1.8/26	160	14.8	200/7.9	
LS-400-SR2-12S06			STANDARD					205/8.1	
LS-400-SR2D-13S06	Y	1.3 ETS	SPEED					170	210/8.3
LS-400-SR2-13S06			HIGH SPEED					185	215/8.5
LS-400-SR2D-14S06	Y	1.4 ETS						195	
LS-400-SR2-14S06									
LS-400-SR2D-15S06	Y	1.5 ETS							
LS-400-SR2-15S06									

Air Nipple: G1/4" • Fluid Nipple: G1/4"

SERIES 2 EXCLUSIVE SPLIT NOZZLE™ 2.0



Optimized ANEST IWATA Fan Pattern



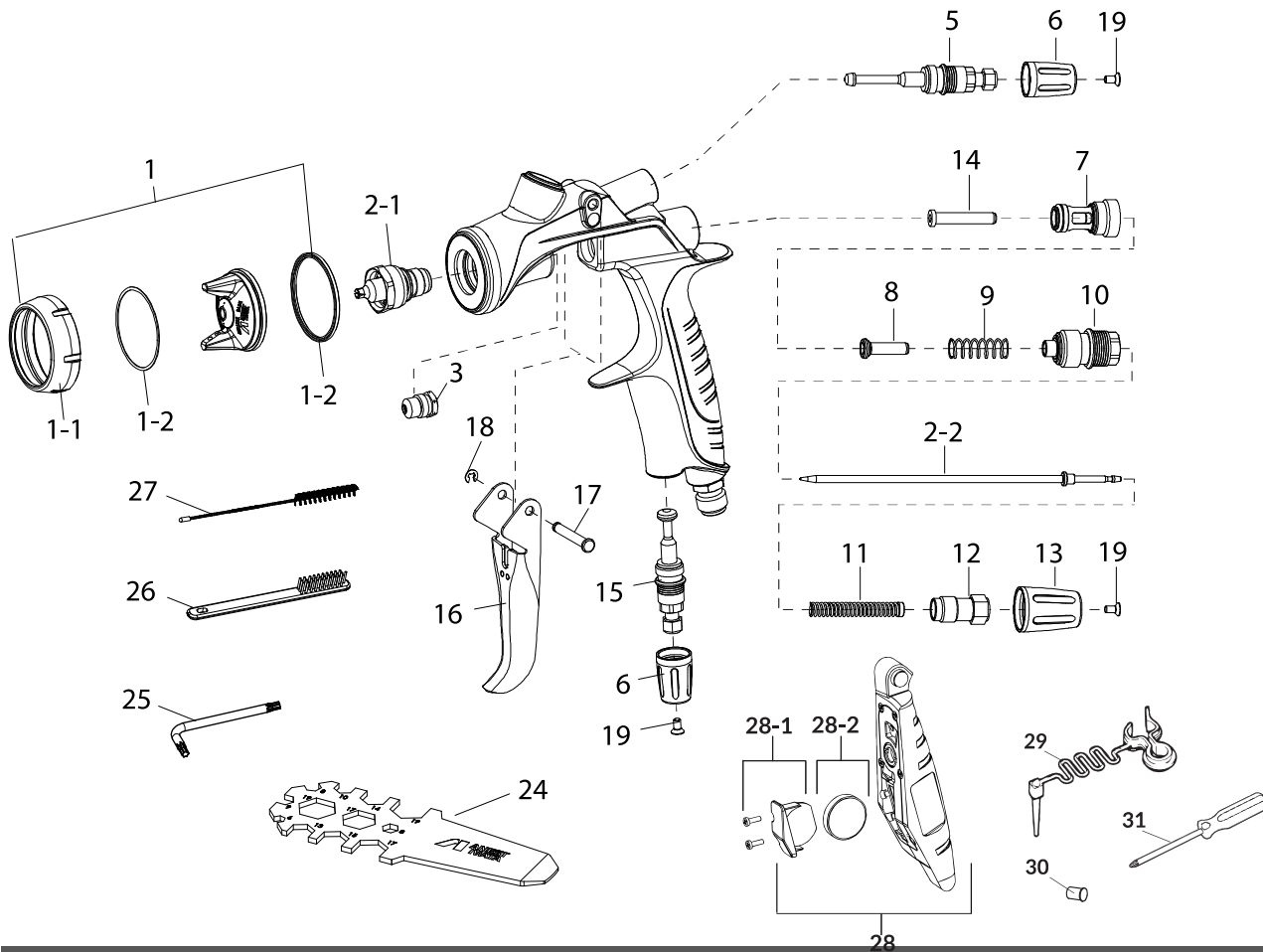
50-15% overlap

ORDER Information

	1.2 ET	1.3 ET	1.4 ET	1.5 ET	1.2 ETS	1.3 ETS	1.4 ETS	1.5 ETS
DIGITAL GRAVITY SPRAY GUN	2912D	2913D	2914D	2915D	2912SD	2913SD	2914SD	2915SD
NON-DIGITAL GRAVITY SPRAY GUN	2912	2913	2914	2915	2912S	2913S	2914S	2915S
NOZZLE + NEEDLE SET	93008160	93008070	93008180	93008200	93008230	93008250	93008270	93008290
AIR CAP SET	LS-400-06 93008030							



LS-400 SERIES 2 BASE



SPARE PARTS

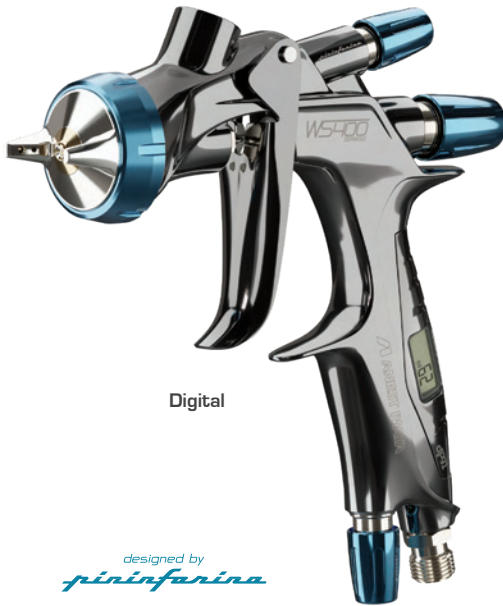
Ref.	Code	Description	Qty.
1	93008030	AIR CAP SET 06	
1-1	93008060	AIR CAP RING (GREEN)	
1-2	93018310	PACKING SET	2
2.1+2.2	93008160	NOZZLE NEEDLE SET 1.2 ET	
2.1+2.2	93008070	NOZZLE NEEDLE SET 1.3 ET	
2.1+2.2	93008180	NOZZLE NEEDLE SET 1.4 ET	
2.1+2.2	93008200	NOZZLE NEEDLE SET 1.5 ET	
2.1+2.2	93008230	NOZZLE NEEDLE SET 1.2 ETS	
2.1+2.2	93008250	NOZZLE NEEDLE SET 1.3 ET S	
2.1+2.2	93008270	NOZZLE NEEDLE SET 1.4 ETS	
2.1+2.2	93008290	NOZZLE NEEDLE SET 1.5 ETS	
3	93810620	NEEDLE PACKING ASSY	
3	93001410	SELF ADJUSTING NEEDLE PACKING (OPTIONAL)	
5	93008420	PATTERN ADJ. ASSY	
6	93008820	PATTERN ADJ. KNOB (GREEN)	
7	93001640	AIR VALVE SEAT ASSY	
8	93001690	AIR VALVE	
9	93001700	AIR VALVE SPRING	
10	93008840	FLUID ADJ. GUIDE ASSY	
11	93002820	FLUID NEEDLE SPRING ASSY	
12	93505823	FLUID ADJ. SCREW	

Ref.	Code	Description	Qty.
13	93008860	FLUID ADJ. KNOB (GREEN)	
14	93001790	AIR VALVE SHAFT	
15	93008872	AIR ADJ. ASSY	
16	93008890	TRIGGER	
17	93505860	TRIGGER STUD	
18	96612025	E STOPPER	
19	93512741	TORX SOCKET COUNTERSUNK HEAD SCREWS	
24	93538600	UNIVERSAL SPANNER	
25	03506480K	ALLEN WRENCH SET	3
26	W2COM6163	BRUSHES	5
27	W2COM6162	TWISTED BRUSH Ø10MM	5
28	930114A0	DPG-1 PSI	
28-1	930325A0	BATTERY HOLDER SPARE KIT	
28-2	930083A0	BATTERY	
29	930357A0	TRIGGER LOCKING CLIP	
30	930366A0	PLUGS	5
31	960024A0	SCREWDRIVER	

ACCESSORIES

Ref.	Code	Description
	5656	REPAIR SERVICE KIT (7, 9, 11, 14, 10, 17, 18, & 3)

WS-400 SERIES 2 BASE



FEATURES

- Compliant spray gun that meets EPA NESHAP 40 CFR, Part 63 Subpart 6H
- Exclusive Split Nozzle™ 2.0 Technology for repeatable results and unmatched performance
- Ideal for wet on wet basecoat applications
- Nozzle configurations to optimize your paint and climate conditions
- Optional DPG1 high-performance digital pressure regulator allows air adjustment convenience without disrupting the spray gun ergonomics

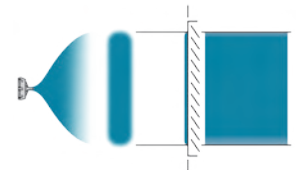
TECHNICAL

	digital	ø mm	climate	no.	bar/psi	m ² /min	CFM	mm/in
OBS: FOR TYPE A WET ON WET APPLICATION								
WS-400-SR2D-OBS-0	Y	1.3 OBS-0	HUMID	WS-400-02-OBS	2.0/29	210	13.1	255/10.0
WS-400-SR2D-OBS	Y	1.3 OBS	STANDARD*					
WS-400-SR2-OBS		1.3 OBS						
WS-400-SR2D-OBS+1	Y	1.3 OBS+1	DRY					
WS-400-SR2-OBS+1		1.3 OBS+1				235		260/10.2
BF: FOR TYPE B WET ON WET APPLICATION								
WS-400-SR2D-BF-S	Y	BF-S	STANDARD*	WS-400-03-BF	2.0/29	245	13.1	250/9.8
WS-400-SR2-BF-S								
WS-400-SR2D-BF-40	Y	BF-40	HOT & DRY/ EXTREME					
WS-400-SR2-BF-40		BF-40						

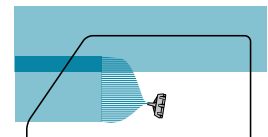
*Standard climate range: 59-86° F (15-30°C) with a humidity of 30%-75% RH

Air Nipple: G1/4" • Fluid Nipple: G1/4"

SERIES 2 EXCLUSIVE SPLIT NOZZLE™ 2.0



Optimized ANEST IWATA Fan Pattern



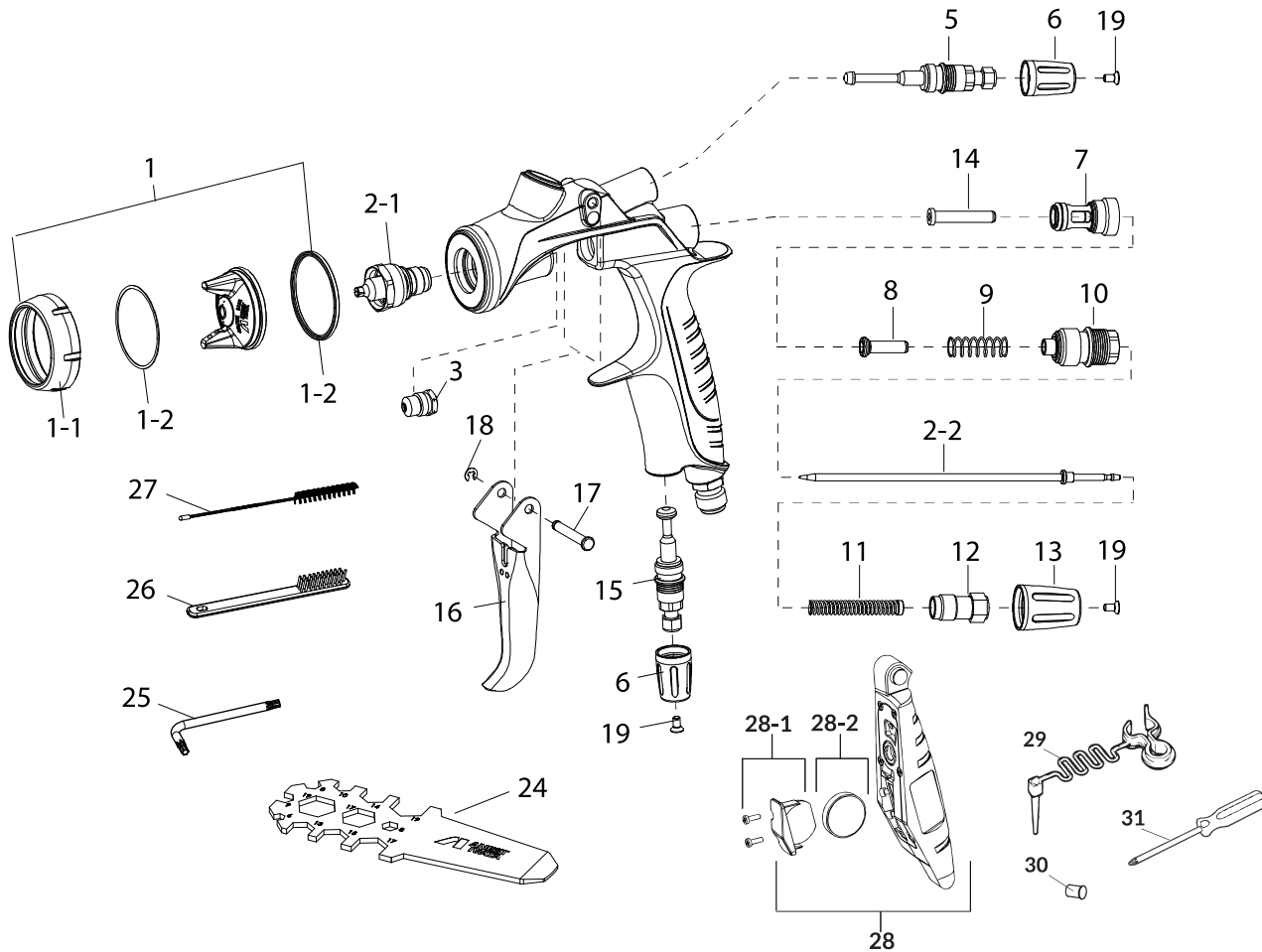
50-15% overlap

ORDER Information

	1.3 OBS-0	1.3 OBS	1.3 OBS+1	BF-S	BF-40
DIGITAL GRAVITY SPRAY GUN	2916D	2917D	2918D	2920D	2921D
NON-DIGITAL GRAVITY SPRAY GUN	2916	2917	2918	2920	2921
NOZZLE + NEEDLE SET	93008930	93008340	93008990	93018150	93021390
AIR CAP SET	WS-400-02-OBS 93008310			WS-400-03-BF 93018140	



WS-400 SERIES 2 BASE



SPARE PARTS

Ref.	Code	Description	Qty.
1	93008310	AIR CAP SET 02-OBS	
1	93018140	AIR CAP SET 03-BF	
1-1	93008330	AIR CAP RING (BLUE)	
1-2	93018310	PACKING SET	2
2.1+2.2	93008930	NOZZLE NEEDLE SET OBS-0	
2.1+2.2	93008340	NOZZLE NEEDLE SET OBS	
2.1+2.2	93008990	NOZZLE NEEDLE SET OBS+1	
2.1+2.2	93018150	NOZZLE NEEDLE SET BF-S	
2.1+2.2	93021390	NOZZLE NEEDLE SET BF-40	
3	93810620	NEEDLE PACKING ASSY	
3	93001410	SELF ADJUSTING NEEDLE PACKING (OPTIONAL)	
5	93008420	PATTERN ADJ. ASSY	
6	93008140	PATTERN ADJ. KNOB (BLUE)	
7	93001640	AIR VALVE SEAT ASSY	
8	93001690	AIR VALVE	
9	93001700	AIR VALVE SPRING	
10	93008840	FLUID ADJ. GUIDE ASSY	
11	93002820	FLUID NEEDLE SPRING ASSY	
12	93505823	FLUID ADJ. SCREW	
13	93008150	FLUID ADJ. KNOB (BLUE)	
14	93001790	AIR VALVE SHAFT	

Ref.	Code	Description	Qty.
15	93008872	AIR ADJ. ASSY	
16	93008890	TRIGGER	
17	93505860	TRIGGER STUD	
18	96612025	E STOPPER	
19	93512741	TORX SOCKET COUNTERSUNK HEAD SCREWS	
24	93538600	UNIVERSAL SPANNER	
25	03506480K	ALLEN WRENCH SET	3
26	W2COM6163	BRUSHES	5
27	W2COM6162	TWISTED BRUSH Ø10MM	5
28	930114A0	DPG-1 PSI	
28-1	930325A0	BATTERY HOLDER SPARE KIT	
28-2	930083A0	BATTERY	
29	930357A0	TRIGGER LOCKING CLIP	
30	930366A0	PLUGS	5
31	960024A0	SCREWDRIVER	

ACCESSORIES

Ref.	Code	Description
	5656	REPAIR SERVICE KIT (7, 9, 11, 14, 10, 17, 18, & 3)

WS-400 SERIES 2 CLEAR



FEATURES

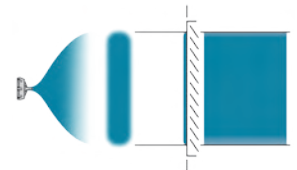
- Compliant spray gun that meets EPA NESHAP 40 CFR, Part 63 Subpart 6H
- Exclusive Split Nozzle™ 2.0 Technology for repeatable results and unmatched performance
- Ideal for a wide range of clearcoat applications
- Nozzle configurations to suit your application style and speed
- Optional DPG1 high-performance digital pressure regulator allows air adjustment convenience without disrupting the spray gun ergonomics

TECHNICAL									
	digital	ø mm	application speed	no.	bar/psi	m ² /min	CFM	mm/in	
HD: HIGH DELIVERY									
WS-400-SR2D-12HD	Y	1.2 HD	CONTROL	WS-400-03	2.0/29	220	13.1	245/9.6	
WS-400-SR2-12HD			STANDARD					245	250/9.8
WS-400-SR2D-13HD	Y	1.3 HD	SPEED					260	255/10.0
WS-400-SR2D-14HD	Y	1.4 HD	HIGH SPEED					280	260/10.2
WS-400-SR2-14HD									
WS-400-SR2D-15HD	Y	1.5 HD							
WS-400-SR2-15HD									

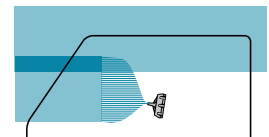
Air Nipple: G1/4" • Fluid Nipple: G1/4"



SERIES 2 EXCLUSIVE SPLIT NOZZLE™ 2.0



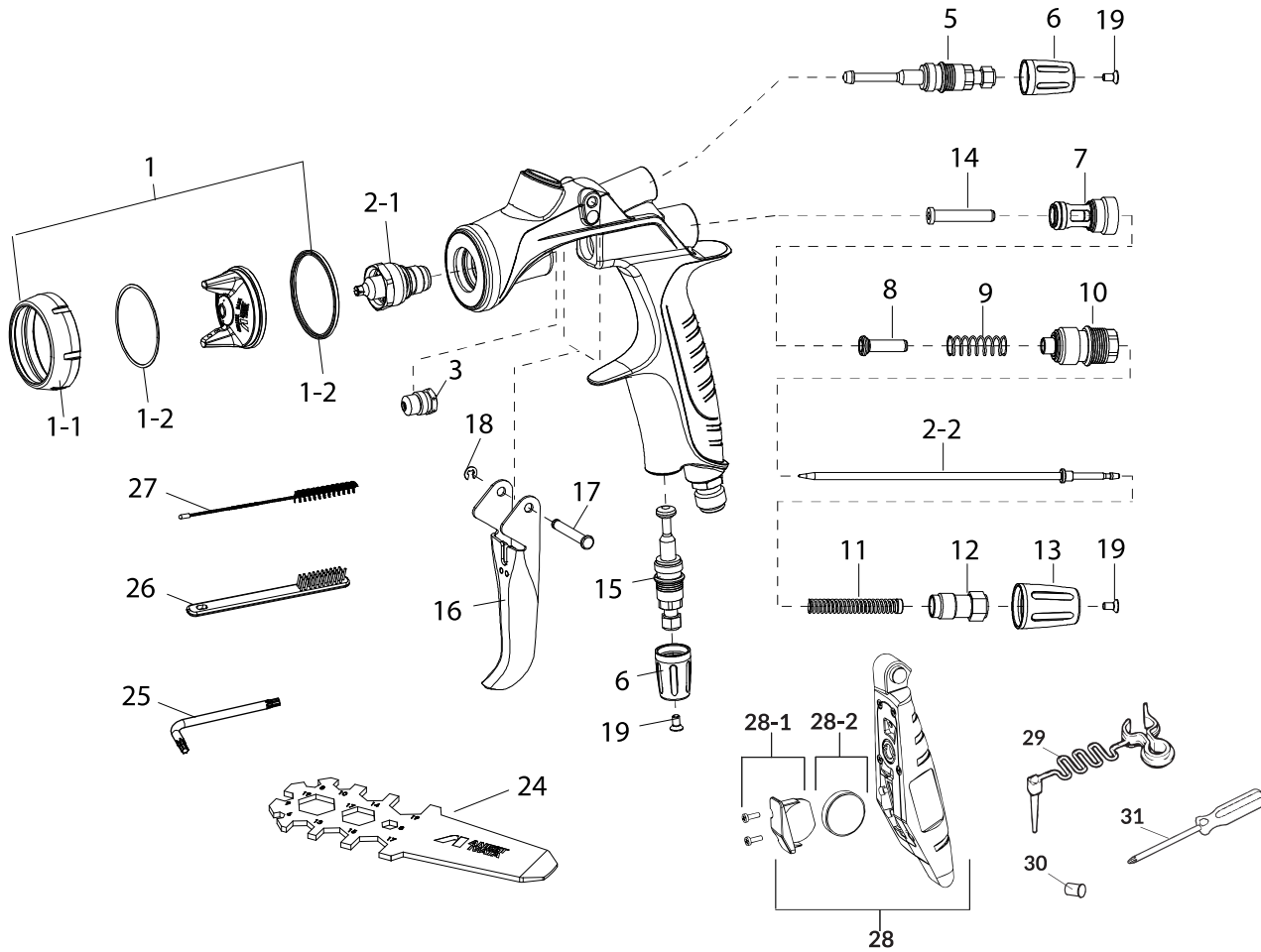
Optimized ANEST IWATA Fan Pattern



50-15% overlap

ORDER Information

	1.2 HD	1.3 HD	1.4 HD	1.5 HD
DIGITAL GRAVITY SPRAY GUN	2712D	2713D	2714D	2715D
NON-DIGITAL GRAVITY SPRAY GUN	2712	2713	2714	2715
NOZZLE + NEEDLE SET	93009140	93009060	93009160	93009180
AIR CAP SET	WS-400-03 93009030			



SPARE PARTS

Ref.	Code	Description	Qty.
1	93009030	AIR CAP SET 03	
1-1	93009050	AIR CAP RING (GREY)	
1-2	93018310	PACKING SET	2
2.1+2.2	93009140	NOZZLE NEEDLE SET 1.2 HD	
2.1+2.2	93009060	NOZZLE NEEDLE SET 1.3 HD	
2.1+2.2	93009160	NOZZLE NEEDLE SET 1.4 HD	
2.1+2.2	93009180	NOZZLE NEEDLE SET 1.5 HD	
3	93810620	NEEDLE PACKING ASSY	
3	93001410	SELF ADJUSTING NEEDLE PACKING (OPTIONAL)	
5	93008420	PATTERN ADJ. ASSY	
6	93009120	PATTERN ADJ. KNOB (GREY)	
7	93001640	AIR VALVE SEAT ASSY	
8	93001690	AIR VALVE	
9	93001700	AIR VALVE SPRING	
10	93008840	FLUID ADJ. GUIDE ASSY	
11	93002820	FLUID NEEDLE SPRING ASSY	
12	93505823	FLUID ADJ. SCREW	
13	93009130	FLUID ADJ. KNOB (GREY)	
14	93001790	AIR VALVE SHAFT	

Ref.	Code	Description	Qty.
15	93008872	AIR ADJ. ASSY	
16	93008890	TRIGGER	
17	93505860	TRIGGER STUD	
18	96612025	E STOPPER	
19	93512741	TORX SOCKET COUNTERSUNK HEAD SCREWS	
24	93538600	UNIVERSAL SPANNER	
25	03506480K	ALLEN WRENCH SET	3
26	W2COM6163	BRUSHES	5
27	W2COM6162	TWISTED BRUSH Ø10MM	5
28	930114A0	DPG-1 PSI	
28-1	930325A0	BATTERY HOLDER SPARE KIT	
28-2	930083A0	BATTERY	
29	930357A0	TRIGGER LOCKING CLIP	
30	930366A0	PLUGS	5
31	960024A0	SCREWDRIVER	

ACCESSORIES

Ref.	Code	Description
	5656	REPAIR SERVICE KIT (7, 9, 11, 14, 10, 17, 18, & 3)

LPH-400-LV | LPH-400-LVX



LPH-400-LV



LPH-400-LVX

FEATURES

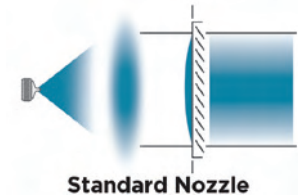
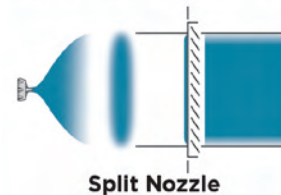
- HVLP spray gun with low operating air pressure
- Proven Split Nozzle™ Technology for increased material savings
- Ideal for general purpose use
- Quality surface for easy cleaning
- Minimal wear parts for easy maintenance
- LPH-400-LVX has a specially designed orange cap for spraying metallics, stains, and dyes.

TECHNICAL

LPH-400-LV						
LPH-400-124LV	1.2	LV4 Silver	1.1/16	90	9.5	259
LPH-400-134LV	1.3			110		279
LPH-400-144LV	1.4			130		290
LPH-400-154LV	1.5			140		295
LPH-400-164LV	1.6			150		300
LPH-400-184LV	1.8			190		320
LPH-400-LVX						
LPH-400-134LVX	1.3	LVX Orange	1.1/16	120	9.8	300
LPH-400-144LVX	1.4			130		310
LPH-400-154LVX	1.5			145		330

Air Nipple: G1/4" • Fluid Nipple: M16 x 1.5mm

PROVEN SPLIT NOZZLE™ TECHNOLOGY



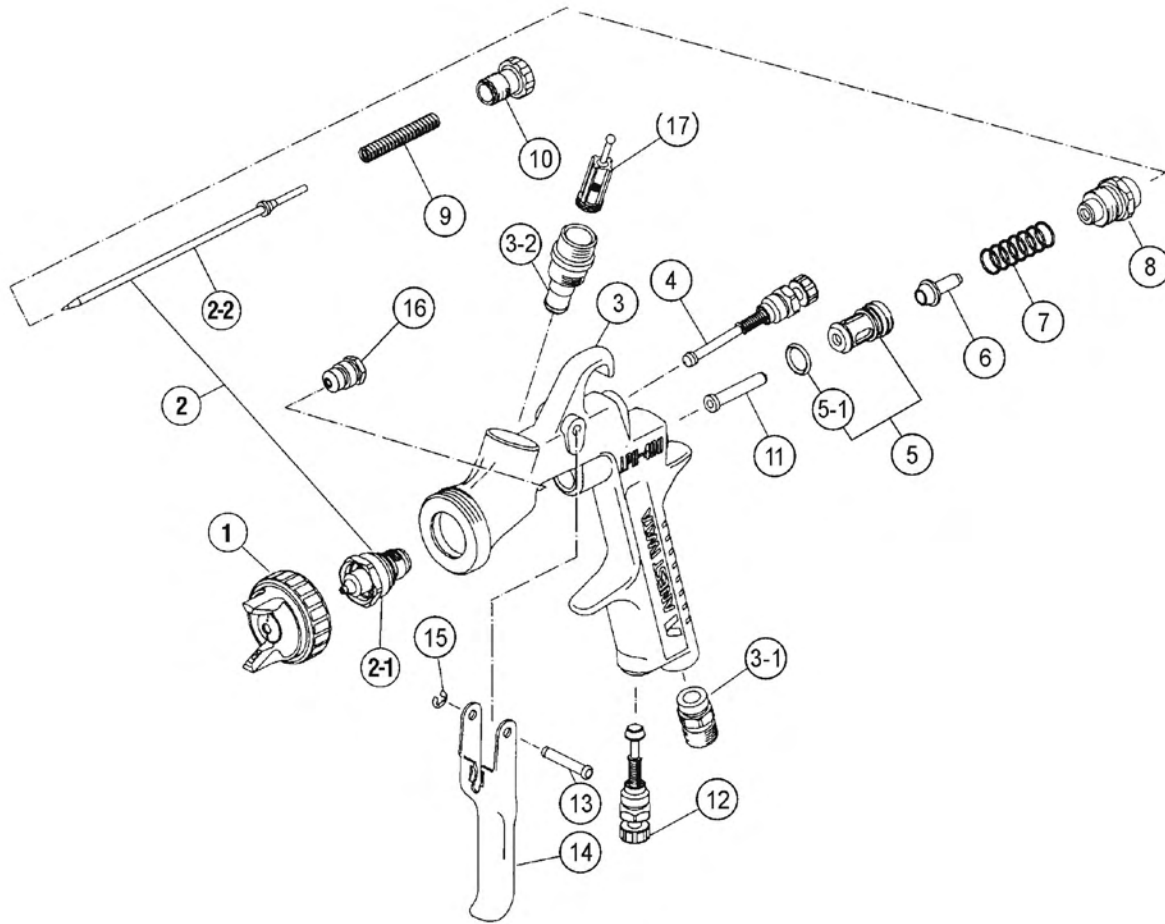
ORDER Information - LPH-400-LV

	ø 1.2	ø 1.3	ø 1.4	ø 1.5	ø 1.6	ø 1.8
GRAVITY SPRAY GUN LPH-400LV	5540	5640	5550	5535	5560	5570
GRAVITY SPAY GUN + PCG6PM - 600ML	5541	5641	5551	5536	5561	5571
GRAVITY SPRAY GUN + PCG7EM - 700ML	5542	5642	5552	5537	5562	5572
GRAVITY SPRAY GUN + PCG10EM - 1000ML	5543	5643	5553	5538	5563	5573
NOZZLE + NEEDLE SET	93880600	93897600	93873600	93516650	93882600	93884600
AIR CAP SET (SILVER)	93874601					

ORDER Information - LPH-400-LVX

	ø 1.3	ø 1.4	ø 1.5
GRAVITY SPRAY GUN LPH-400-LVX	5660	5670	5680
GRAVITY SPRAY GUN + PCG6PM - 600ML	5661	5671	5681
GRAVITY SPRAY GUN + PCG7EM - 700ML	5662	5672	5682
GRAVITY SPRAY GUN + PCG10EM - 1000ML	5663	5673	5683
NOZZLE + NEEDLE SET	93897600	93873600	93516650
AIR CAP SET (ORANGE)	93548700		





SPARE PARTS

Ref.	Code	Description	
1		AIR CAP SET	
2		NOZZLE + NEEDLE SET	
3-1	93660300	AIR NIPPLE	1/4"
3-2	93650531	FLUID NIPPLE	M16X1.5
4	93842601	PATTERN ADJ. SET	
5	93843530	AIR VALVE SEAT SET	
5-1	96638008	O RING	
6	93591530	AIR VALVE	
7	93719530	AIR VALVE SPRING	
8	93844532	FLUID ADJUST GUIDE SET	
9	93593530	FLUID NEEDLE SPRING	
10	93594532	FLUID ADJUST KNOB	
11	93935430	AIR VALVE SHAFT	
12	93845531	AIR ADJUST SET	
13	93667360	TRIGGER STUD	
14	93517600	TRIGGER	
15	93912030	STOPPER	(2 PCS./1PK.)
16	93765610	CARTRIDGE PACKING	
17	93515500	FILTER	60 MESH

ACCESSORIES

Ref.	Code	Description
	93708240	AIR CAP PACKING (WHITE)
	93512600	AIR CAP PACKING (BLACK)
	2950	MK5 MAINTENANCE KIT
	5650	REPAIR SERVICE KIT (includes: 5-1, 7, 9, 13, 15, 16)
	2995	TEST CAP GAUGE SET "LPH100-LV4"
	2996	TEST CAP GAUGE SET "LPH100-LVB"
	2998	TEST CAP GAUGE SET "LPH100-LV4X"

W-400-LV-WBX

NORTH AMERICAN EXCLUSIVE



FEATURES

- Compliant spray gun that meets EPA NESHAP 40 CFR, Part 63 Subpart 6H
- Proven Split Nozzle™ Technology for increased material savings
- Tulip inspired spray pattern
- Ideal for general purpose use
- Minimal wear parts for easy maintenance

TECHNICAL



W-400-LV-WBX NORTH AMERICAN EXCLUSIVE						
Model	Ø mm	No.	bar/psi	ml/min	CFM	mm
W-400-LV-12WBX	1.2	W400 LVWBX (RED)	1.4/20	100	10.5	260
W-400-LV-13WBX	1.3					280
W-400-LV-14WBX	1.4					300
W-400-LV-15WBX	1.5					305
W-400-LV-16WBX	1.6					315
W-400-LV-18WBX	1.8					335

• Air Nipple: G1/4" • Fluid Nipple: M16 X 1.5m

Red air cap marked max 20 psi /W400LVWBX indicates compliant model specifically intended for use in North America. No other model marked with "WBX" or marketed under the WBX Series has been approved for use in the United States by any environmental agency or governing body. Use of any non-compliant spray equipment in a regulated area can lead to costly fines and additional penalties for the individual user and their employer.



WBX Spray Gun Kit Blue Edition
Part #9278

Blue Kit Includes: W-400-LV-WBX 1.3 Gravity Compliant Spray Gun, 1.5 Nozzle (use with 1.3 needle), 1.2 Nozzle Needle Set, 700 ml Aluminum Gravity Cup, Air Regulator, Spray Gun Lubricant, Brush, Wrench

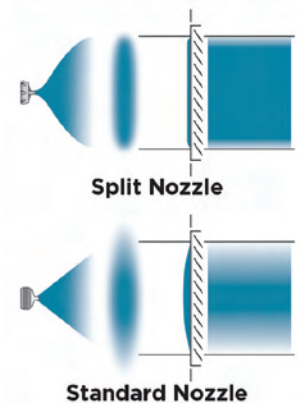


WBX Spray Gun Kit Red Edition
Part #9279

Red Kit Includes: W-400-LV-WBX 1.8 Gravity Compliant Spray Gun, 1.5 Nozzle Needle Set, 1.3 Nozzle Needle Set, 700 ml Aluminum Gravity Cup, Air Regulator, Spray Gun Lubricant, Brush, Wrench

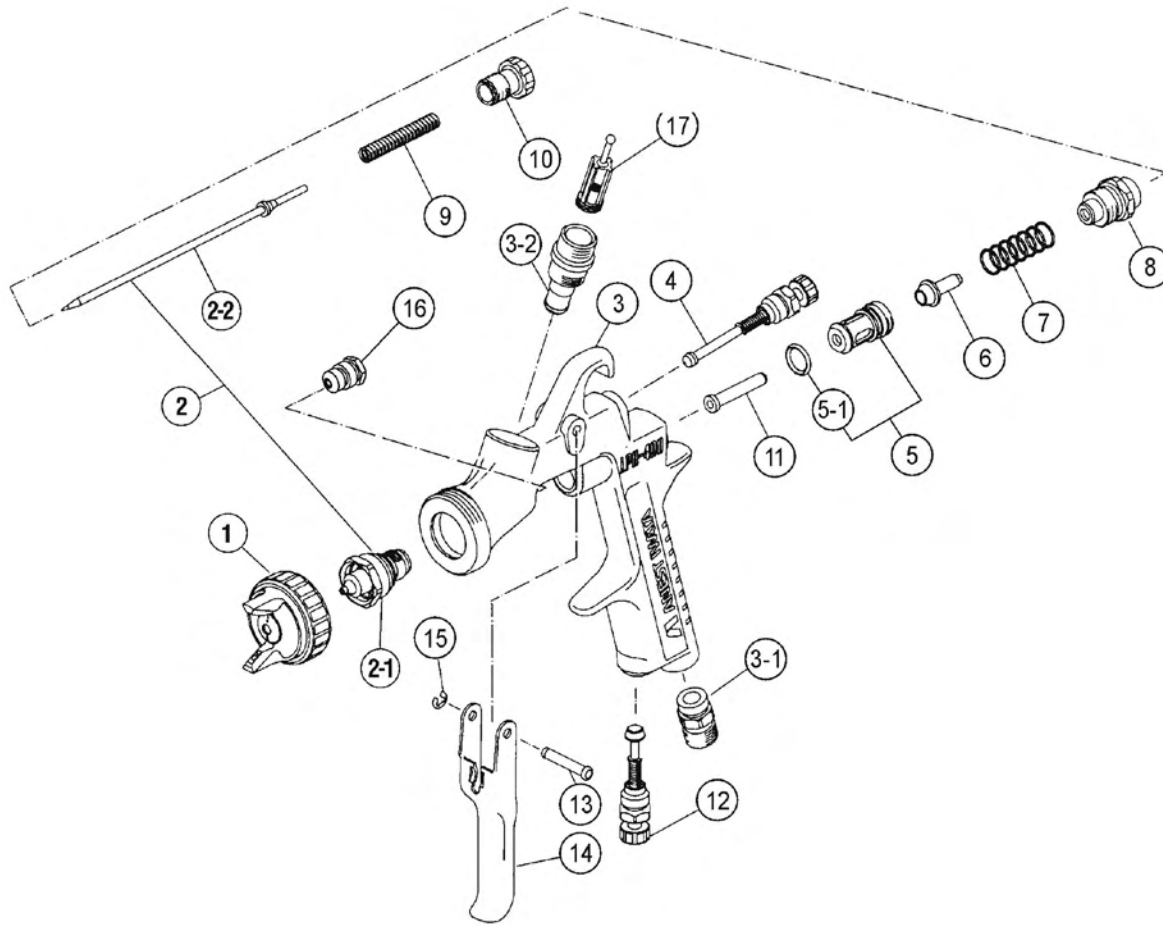
See page 63-64
for cup options
(sold separately)

PROVEN SPLIT NOZZLE™ TECHNOLOGY



ORDER Information - W-400-LV-WBX W/ REGULATOR

	ø 1.2	ø 1.3	ø 1.4	ø 1.5	ø 1.6	ø 1.8
GRAVITY SPRAY GUN	2112	2113	2114	2115	2116	2118
NOZZLE + NEEDLE SET	93627610	93634610	93628610	93014560	93622620	93635620
AIR CAP SET	93549999					



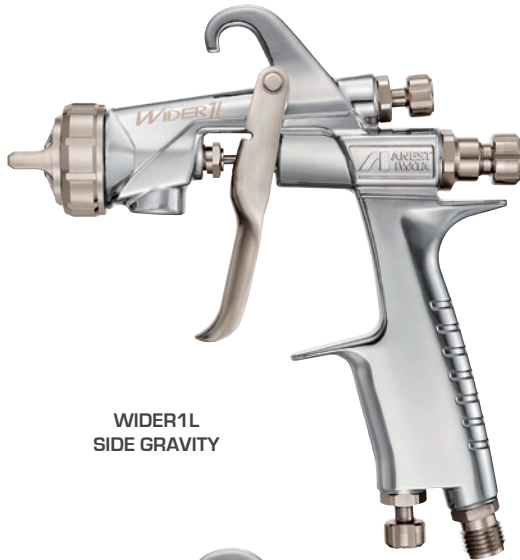
SPARE PARTS

Ref.	Code	Description	
1		AIR CAP SET	
2		NOZZLE + NEEDLE SET	
3-1	93660300	AIR NIPPLE	1/4"
3-2	93650531	FLUID NIPPLE	M16X1.5
4	93842601	PATTERN ADJ. SET	
5	93843530	AIR VALVE SEAT SET	
5-1	96638008	O RING	
6	93591530	AIR VALVE	
7	93719530	AIR VALVE SPRING	
8	93844532	FLUID ADJUST GUIDE SET	
9	93593530	FLUID NEEDLE SPRING	
10	93594532	FLUID ADJUST KNOB	
11	93935430	AIR VALVE SHAFT	
12	93845531	AIR ADJUST SET	
13	93667360	TRIGGER STUD	
14	93517600	TRIGGER	
15	93912030	STOPPER	(2 PCS./1PK.)
16	93765610	CARTRIDGE PACKING	
17	93515500	FILTER	60 MESH

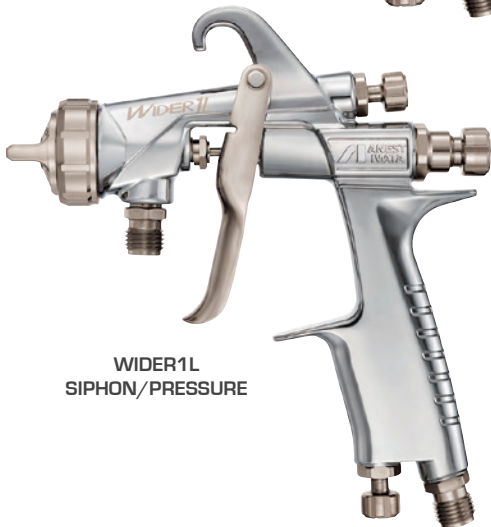
ACCESSORIES

Ref.	Code	Description
	93708240	AIR CAP PACKING (WHITE)
	93512600	AIR CAP PACKING (BLACK)
	2950	MK5 MAINTENANCE KIT
	5650	REPAIR SERVICE KIT (includes: 4, 7-1, 9, 11, 15, 17)

WIDER1L



WIDER1L
SIDE GRAVITY



WIDER1L
SIPHON/PRESSURE

See page 67
for cup/ siphon
container options
(sold separately)

FEATURES

- HVLP spray gun with low operating air pressure
- Siphon and gravity models with proven Split Nozzle™ Technology for increased material savings
- Lightweight, ergonomic design
- Easier maintenance & cleaning
- Intuitive, user-friendly pattern adjustment
- Larger air valve seat set orifices for consistent installation
- Corrosion-resistant stainless steel fluid passages

TECHNICAL



WIDER1L SIPHON - SPLIT NOZZLE TECHNOLOGY

Model	Ø mm	No.	bar/psi	m³/min	CFM	mm
WIDER1L-2-12J2S	1.2	WIDER1L-2-J2	1.0/14.5	60	7.1	170
WIDER1L-2-14J2S	1.4	WIDER1L-2-J2	1.0/14.5	80	7.1	180
WIDER1L-2-16J2S	1.6	WIDER1L-2-J2	1.0/14.5	95	7.1	190

WIDER1L SIDE GRAVITY - SPLIT NOZZLE TECHNOLOGY

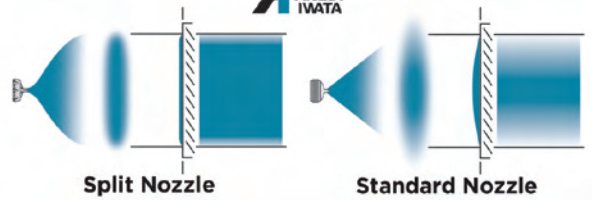
Model	Ø mm	No.	bar/psi	m³/min	CFM	mm
WIDER1L-2-12J2G	1.2	WIDER1L-2-J2	1.0/14.5	80 ^①	7.1	200 ^①
WIDER1L-2-14J2G	1.4	WIDER1L-2-J2	1.0/14.5	130 ^①	7.1	220 ^①
WIDER1L-2-16J2G	1.6	WIDER1L-2-J2	1.3/18.9	100	8.5	220

WIDER1L PRESSURE

Model	Ø mm	No.	bar/psi	m³/min	CFM	mm
WIDER1L-12G2P	1.2	WIDER1L-G2	3.4/49.3	350	18.7	270

• Spraying distance : 200mm (for all models) • Viscosity: 20s/NK-2
Air nipple: G1/4 and fluid nipple: G1/4 (for all models) • 1 Viscosity: 12s/NK-2

PROVEN SPLIT NOZZLE™ TECHNOLOGY



ORDER Information - WIDER1L Siphon - Split Nozzle Technology

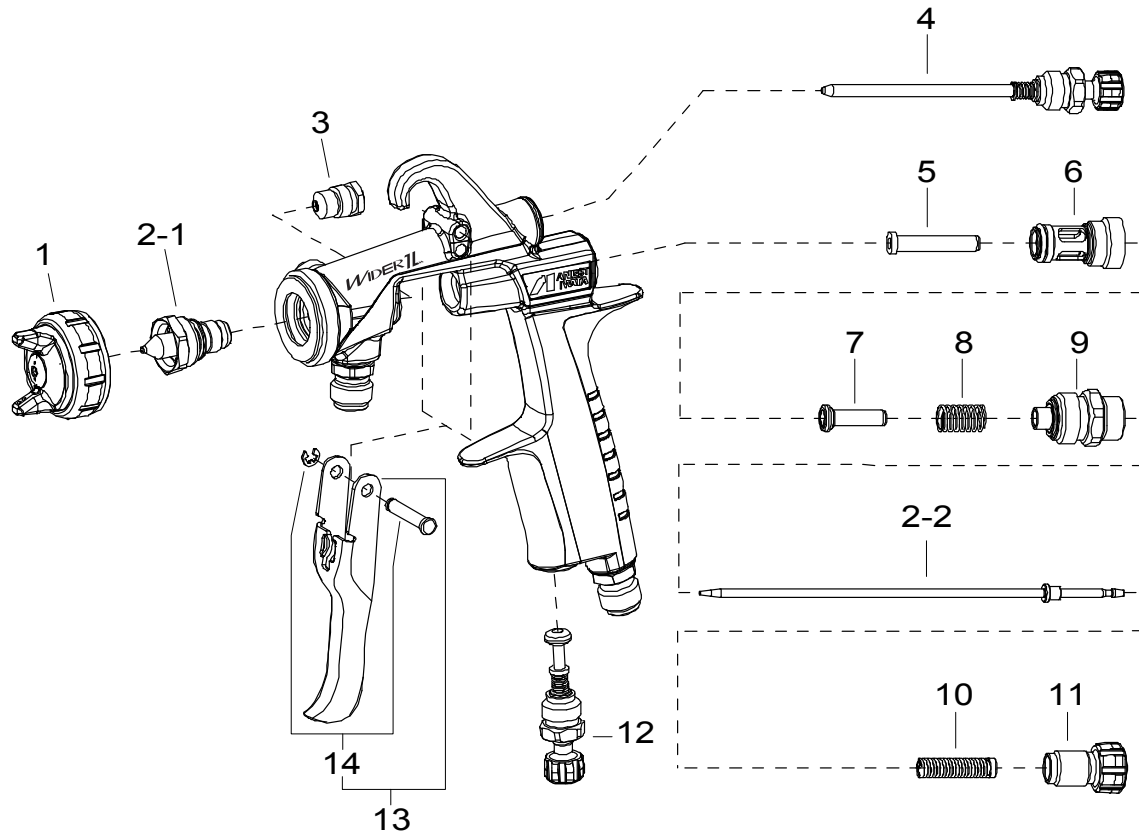
	Ø 1.2	Ø 1.4	Ø 1.6
SIPHON SPRAY GUN	11015	11025	11035
NOZZLE + NEEDLE SET	93013870	93013890	93013920
AIR CAP SET	WIDER1L-2-J2 93013840		

ORDER Information - WIDER1L Side Gravity - Split Nozzle Technology

	Ø 1.2	Ø 1.4	Ø 1.6
SIDE GRAVITY SPRAY GUN	11020	11030	11040
NOZZLE + NEEDLE SET	93013870	93013890	93013920
AIR CAP SET	WIDER1L-2-J2 93013840		

ORDER Information - WIDER1L Pressure

	Ø 1.2
PRESSURE SPRAY GUN	11010
NOZZLE + NEEDLE SET	93013860
AIR CAP SET	WIDER1L-G2 93013820



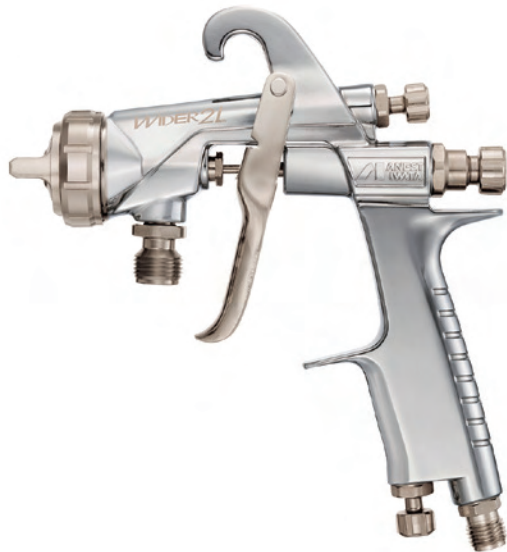
SPARE PARTS

Ref.	Code	Description
1		AIR CAP SET
2-1		NOZZLE + NEEDLE SET
3	93765610	NEEDLE PACKING CARTRIDGE
4	93012580	PATTERN ADJUSTMENT SET
5	93001790	AIR VALVE SHAFT
6	93001640	AIR VALVE SEAT SET
7	93001690	AIR VALVE
8	93001700	AIR VALVE SPRING
9	93012630	FLUID ADJUSTMENT GUIDE
10	93002820	FLUID NEEDLE SPRING
11	93012650	FLUID ADJUSTMENT KNOB
12	93012660	AIR ADJ. SET
13	93013800	TRIGGER ASSEMBLY
14	93013810	TRIGGER STUD ASSEMBLY

ACCESSORIES

Ref.	Code	Description
	93017689	AIR CAP PACKING
	5654	REPAIR SERVICE KIT (includes: 3, 6, 8, 10, 14)

WIDER2L



FEATURES

- HVLP spray gun with low operating air pressure
- Available with proven Split Nozzle™ Technology for increased material savings
- Lightweight, ergonomic design
- Easier maintenance & cleaning
- Intuitive, user-friendly pattern adjustment
- Larger air valve seat set orifices for consistent installation
- Corrosion-resistant stainless steel fluid passages

TECHNICAL



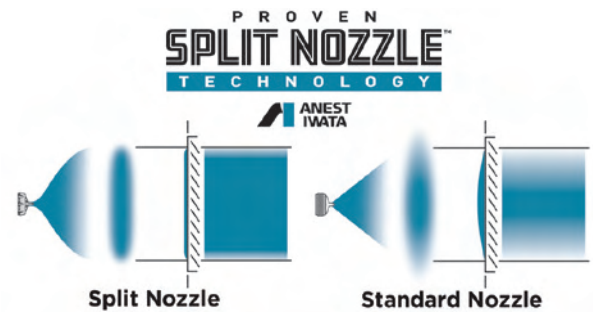
WIDER2L PRESSURE

Model	Ø mm	No.	bar/psi	ml/min	CFM	mm
WIDER2L-10G2P	1.0	WIDER2L-G2	2.0/28	300	16.6	250
WIDER2L-12G2P	1.2	WIDER2L-G2	2.0/28	500	16.6	300
WIDER2L-14G2P	1.4	WIDER2L-G2	2.0/28	500	16.6	300
WIDER2L-16G2P	1.6	WIDER2L-G2	0.7/10	500	16.6	270
WIDER2L-18G2P	1.8	WIDER2L-G2	0.7/10	500	16.6	260
WIDER2L-20G2P	2.0	WIDER2L-G2	0.7/10	500	16.6	240

WIDER2L PRESSURE - SPLIT NOZZLE TECHNOLOGY

Model	Ø mm	No.	bar/psi	ml/min	CFM	mm
WIDER2L-2-08G2P	0.8	WIDER2L-2-G2	2.0/28	95	15.2	320
WIDER2L-2-10G2P	1.0	WIDER2L-2-G2	2.0/28	100	15.2	330
WIDER2L-2-12G2P	1.2	WIDER2L-2-G2	2.0/28	130	15.2	330
WIDER2L-2-13G2P	1.3	WIDER2L-2-G2	2.0/28	130	15.2	340
WIDER2L-2-14G2P	1.4	WIDER2L-2-G2	2.0/28	130	15.2	340
WIDER2L-2-15G2P	1.5	WIDER2L-2-G2	2.0/28	130	15.2	340

Spraying distance : 200mm (for all models) • Viscosity : 20s/NK-2
Air nipples : G1/4 and fluid nipples : G3/8 (for all models)

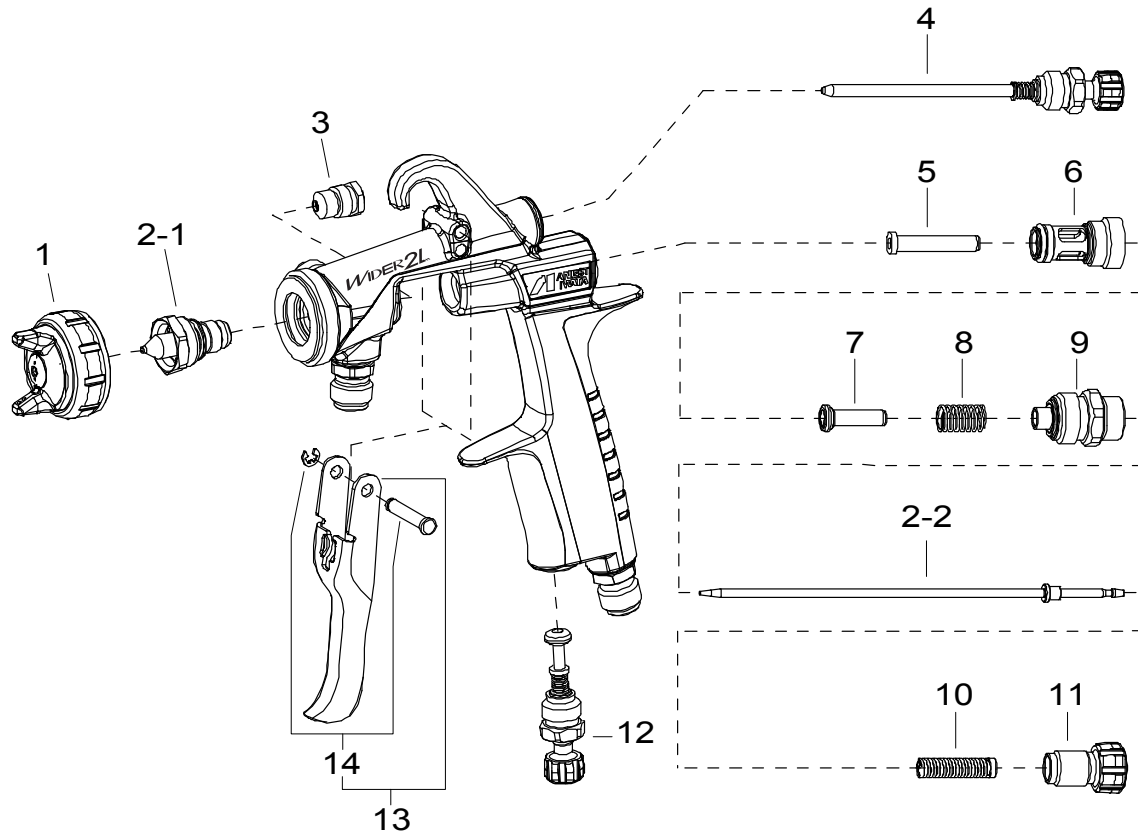


ORDER Information - WIDER2L Pressure

	Ø 1.0	Ø 1.2	Ø 1.4	Ø 1.6	Ø 1.8	Ø 2.0
PRESSURE SPRAY GUN	21010	21011	21012	21016	21017	21018
NOZZLE + NEEDLE SET	93014190	93014200	93014210	WIDER2L-X5	WIDER2L-X6	WIDER2L-X7
AIR CAP SET	WIDER2L-2-G2 93014150					
	WIDER2L-G2 TEST CAP 93014350					

ORDER Information - WIDER2L Pressure - Split Nozzle Technology

	Ø 0.8	Ø 1.0	Ø 1.2	Ø 1.3	Ø 1.4	Ø 1.5
PRESSURE SPRAY GUN	21013	21015	21020	21021	21022	21023
NOZZLE + NEEDLE SET	93019850	93014230	93014240	WIDER2L-X2	WIDER2L-X3	WIDER2L-X4
AIR CAP SET	WIDER2L-2-G2 93014170					
	WIDER2L-G2 TEST CAP 93014350					



SPARE PARTS

Ref.	Code	Description
1		AIR CAP SET
2-1		NOZZLE + NEEDLE SET
3	93810620	NEEDLE PACKING CARTRIDGE
4	93011630	PATTERN ADJUSTMENT SET
5	93001790	AIR VALVE SHAFT
6	93001640	AIR VALVE SEAT SET
7	93001690	AIR VALVE
8	93001700	AIR VALVE SPRING
9	93012630	FLUID ADJUSTMENT GUIDE
10	93002820	FLUID NEEDLE SPRING
11	93012650	FLUID ADJUSTMENT KNOB
12	93012660	AIR ADJ. SET
13	93014500	TRIGGER ASSEMBLY
14	93013810	TRIGGER STUD ASSEMBLY

ACCESSORIES

Ref.	Code	Description
	93017700	AIR CAP PACKING
	5654	REPAIR SERVICE KIT (includes: 3, 6, 8, 10, 14)

LPH-300-LV



LPH-300-LV
with PCG7D2
Cup



LPH-300-LV HVLV
Gravity Spray Gun Kit
Part #9277

FEATURES

- HVLP spray gun with low operating air pressure
- Proven Split Nozzle™ Technology for increased material savings
- Rounded pattern produces low overspray
- Extremely low air supply pressure, only 14.5 PSI
- Very low air consumption
- Pleasant lightweight handling
- Finer atomization is suitable for wet on wet topcoat (1.4/1.6 mm)
- Simple operation of the control knobs for both right and left handers
- Conical seal nozzle, minimum wear parts
- Quality surface for an easy cleaning
- Easy maintenance
- Recommended for UV coatings

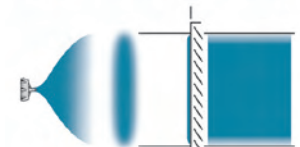
TECHNICAL



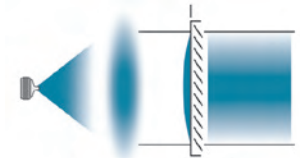
LPH-300-LV						
Model	Ø mm	No.	bar/psi	ml/min	CFM	mm
LPH-300-124LV	1.2	LV4	1.3/18	8.5	210	70
LPH-300-134LV	1.3					80
LPH-300-144LV	1.4					90
LPH-300-164LV	1.6					110
LPH-300-184LV	1.8					130
LPH-300-204LV	2.0					150

Air Nipple: G1/4" • Fluid Nipple: G1/4"

PROVEN SPLIT NOZZLE™ TECHNOLOGY



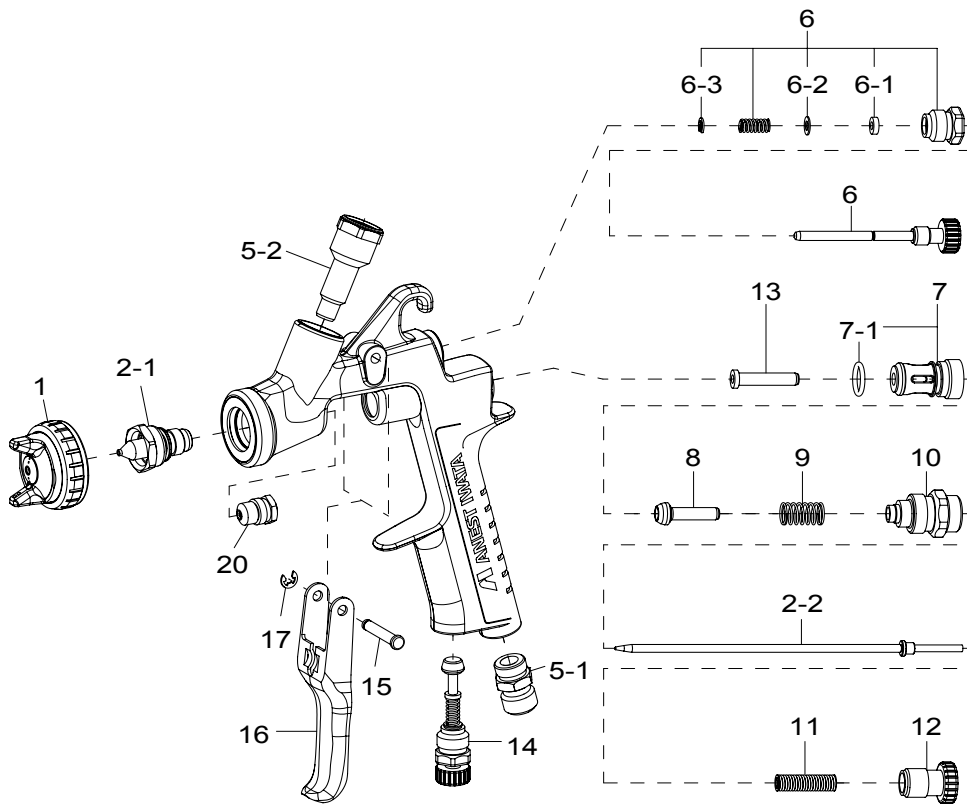
Split Nozzle



Standard Nozzle

ORDER Information - LPH-300-LV

	ø 1.2	ø 1.3	ø 1.4	ø 1.6	ø 1.8	ø 2.0
GRAVITY SPRAY GUN LPH-300-LV	3940	3955	3945	3950	3960	3965
GRAVITY SPRAY GUN + PCG4D2 - 400ML	3941	3956	3946	3951	3961	3966
GRAVITY SPRAY GUN + PCG600P-2 - 600ML	3943	3958	3948	3953	3963	3968
GRAVITY SPRAY GUN + PCG7D2 - 700ML	3942	3957	3947	3952	3962	3967
NOZZLE + NEEDLE SET	93867600	93623600	93862600	93869600	93871600	93621600
AIR CAP SET	93875602					



SPARE PARTS

Ref.	Code	Description	Qty.
1	93875602	AIR CAP SET	
2-1+ 2-2		NOZZLE + NEEDLE SET	
5-1	93660300	AIR NIPPLE	
5-2	93575620	FLUID NIPPLE	
6	93577620	PATTERN ADJ. SET	
6-1		STOPPER	Sold as Ref. 6
6-2		WASHER	Sold as Ref. 6
6-3		BACK RING	Sold as Ref. 6
7	93843530	AIR VALVE SEAT SET	
7-1	96638008	O RING	
8	93591530	AIR VALVE	
9	93719530	AIR VALVE SPRING	
10	93844532	FLUID ADJ. GUIDE SET	
11	93593530	FLUID NEEDLE SPRING	
12	93594532	FLUID ADJ. KNOB	
13	93935430	AIR VALVE SHAFT	
14	93845531	AIR ADJ. SET	
15	93667360	TRIGGER STUD	
16	93597530	TRIGGER	
17	93912030	E STOPPER	2 pcs./1 pk.
20	93765610	NEEDLE PACKING CARTRIDGE	

ACCESSORIES

Ref.	Code	Description
	93576530	AIR CAP PACKING (WHITE)
	93608320	AIR CAP PACKING (BLACK)
	2950	MK5 MAINTENANCE KIT
	5650	REPAIR SERVICE KIT (includes: 7-1, 9, 11, 15, 17, 20)
	2985B	TEST CAP GAUGE SET "LPH100-LV4"

LPH-80



LPH-80
with
PCG2D-1
Cup

FEATURES

- HVLP spray gun with low operating air pressure
- Perfect for spot repair and touch-up as well as coating hard to reach areas
- Very fine atomization with low air consumption
- Extremely low material consumption
- Perfect handling when blending
- One of the most lightweight spot repair guns on the market
- Simple operation of the control knobs for both right and left handers
- Conical seal nozzle, minimum wear parts
- Easy maintenance
- Quality surface for easy cleaning
- Recommended for UV primers and ceramic coatings

TECHNICAL



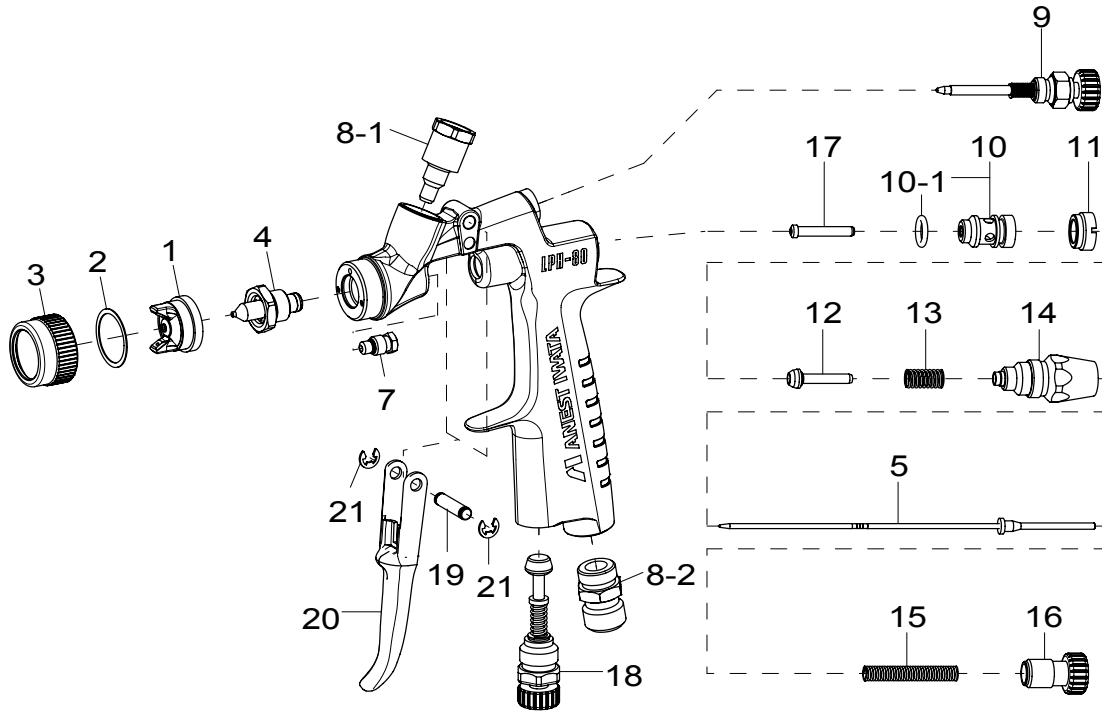
LPH-80						
Model	Ø mm	No.	bar/psi	m³/min	CFM	mm
LPH-80-042G	0.4	E2	1.0/13	8	1.8	40
LPH-80-062G	0.6			25		60
LPH-80-082G	0.8			45		80
LPH-80-102G	1.0			55		100
LPH-80-122G	1.2			80		120
LPH-80-104G (WIDE FAN)	1.0	E4	1.0/14	60	2.2	130
LPH-80-124G (WIDE FAN)	1.2			75		140
LPH-80-ST2						
LPH-80-ST2	1.0	-	1.0/14	-	-	-

Air Nipple: G1/4" • Fluid Nipple: G1/8"

ORDER Information - LPH-80

	Ø 0.4	Ø 0.6	Ø 0.8	Ø 1.0 (E2)	Ø 1.2 (E2)	Ø 1.0 (E4)	Ø 1.2 (E4)
GRAVITY SPRAY GUN LPH-80	4900	4905	4910	4915	4920	4925	4930
GRAVITY SPRAY GUN + PCG2D-1 - 150ML	4901	4906	4911	4916	4921	4926	4931
AIR CAP SET	93557600					93662600	
NEEDLE SET	93891600	93890600		93886600			
FLUID NOZZLE	93570600	93568600	93761530	93560600	93760530	93560600	93760530





SPARE PARTS

Ref.	Code	Description	
1	93557600	AIR CAP SET	E2
1	93662600	AIR CAP SET	E4
2	93558600	AIR CAP GASKET	
3	93559600	AIR CAP COVER RING	
4		NOZZLE SET	
5		NEEDLE SET	
7	93940890	NEEDLE PACKING CARTRIDGE	
8-1	93753530	FLUID NIPPLE	1/8" BSP
8-2	93660300	AIR NIPPLE	1/4"
9	93748530	PATTERN ADJ. SET	
10	93912880	AIR VALVE SEAT SET	
10-1	96638005	O RING	
11	93011880	AIR VALVE SEAT SCREW	
12	93013881	AIR VALVE	
13	93012880	AIR VALVE SPRING	
14	93936880	FLUID ADJ. GUIDE SET	
15	93015880	FLUID NEEDLE SPRING	
16	93754530	FLUID ADJ. KNOB	
17	93006880	AIR VALVE SHAFT	
18	93845531	AIR ADJ. SET	
19	93167890	TRIGGER STUD	
20	93162890	TRIGGER	
21	93912030	E STOPPER	2 pcs./1 pk.

ACCESSORIES

Ref.	Code	Description
	2950	MK5 MAINTENANCE KIT
	2860	REPAIR SERVICE KIT (includes: 7, 10-1, 21)
	2981	TEST CAP GAUGE SET "E2" (042G/062G/082G/102G/122G)
	2982	TEST CAP GAUGE SET "E4" (104G/124G)

LPH-50

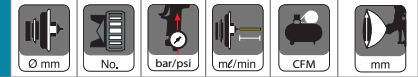


LPH-50 with PC61
Cup

FEATURES

- HVLP spray gun with low operating air pressure
- High performance miniature spray gun with side mounted cup
- Superior atomization with low air consumption

TECHNICAL



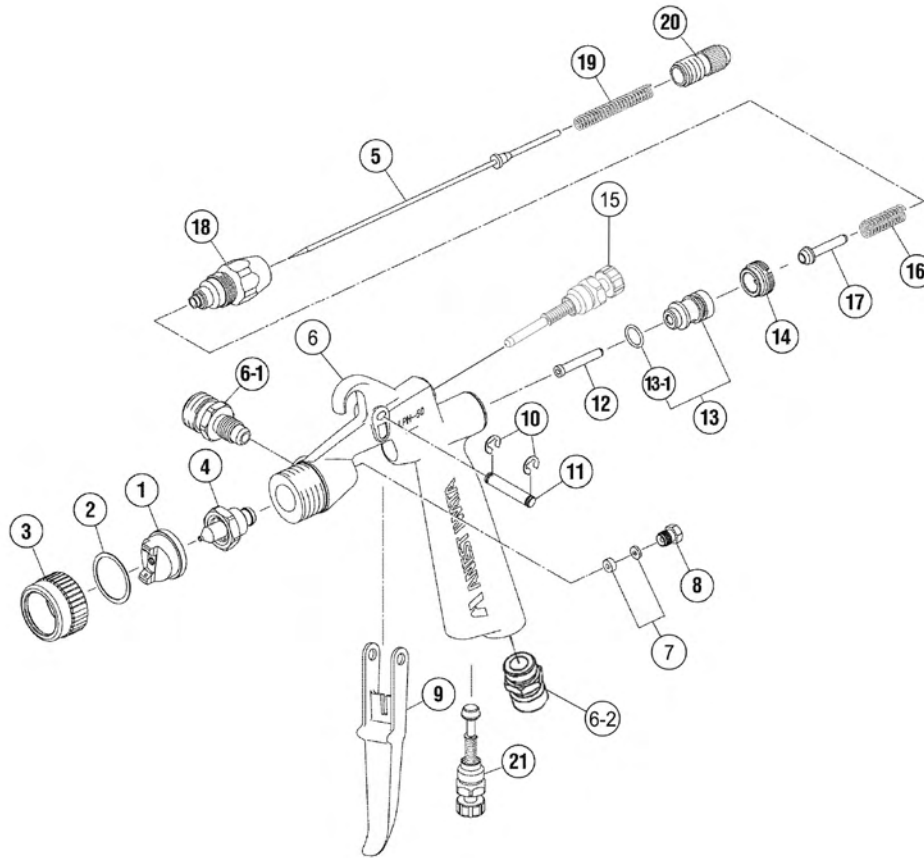
LPH-50						
Model	Ø mm	No.	bar/psi	m³/min	CFM	
LPH-50-042G	0.4	E2	0.9/13	8	40	
LPH-50-062G	0.6			25	1.8	60
LPH-50-102G	1.0			55		100

• Air Nipple: G1/4" • Fluid Nipple: G1/4"

ORDER Information - LPH-50

	Ø 0.4	Ø 0.6	Ø 1.0
SIDE GRAVITY SPRAY GUN LPH-50	5261	5262	5263
SIDE GRAVITY SPRAY GUN + PC61 - 130ML	5272	5274	5276
SIDE GRAVITY SPRAY GUN + PC5 - 250ML	5271	5273	5275
NOZZLE	93570600	93568600	93560600
NEEDLE	93891600	93890600	93886600
AIR CAP SET	E2 93557600		





SPARE PARTS

Ref.	Code	Description	Qty.
1	93557600	AIR CAP SET E2	
2	93558600	AIR CAP GASKET	
3	93559600	COVER RING	
4		FLUID NOZZLE	
5		FLUID NEEDLE	
6-1	93005891	FLUID NIPPLE	
6-2	93660300	AIR NIPPLE	
7	93940890	NEEDLE PACKING SET	Set w/ No.8
8		NEEDLE PACKING SEAT	
9	93162890	TRIGGER	
10	93912030	E STOPPER	(2pcs/1 pk)
11	93167890	TRIGGER STUD	
12	93006880	AIR VALVE SHAFT	
13	93912880	AIR VALVE SEAT SET	
13-1	96638005	O RING	
14	93011880	AIR VALVE SEAT SCREW	
15	93888600	PATTERN ADJ. SET	
16	93012880	AIR VALVE SPRING	
17	93013881	AIR VALVE	
18	93936880	FLUID ADJ. GUIDE SET	
19	93015880	FLUID NEEDLE SPRING	
20	93017880	FLUID ADJ. KNOB	
21	93845531	AIR ADJ. SET	

ACCESSORIES

Ref.	Code	Description
	6022	AIRBRUSH BOTTLE ADAPTER KIT WITH THREE 2 OZ BOTTLES
	6022-1	AIRBRUSH BOTTLE ADAPTER ONLY
	2981	TEST CAP SET
	2950	MK5 MAINTENANCE KIT
	2860	REPAIR SERVICE KIT (Includes: 7, 8, 10, 13-1)

AIR GUNSA AZ1-HVLP-CONCEPT



FEATURES

- HVLP spray gun with low operating air pressure
- Specially designed air cap delivers a long spray pattern with extra fine atomization and very little overspray
- Experienced and novice painters can achieve a consistent, high quality finish at budget cost
- Easy maneuverability and improved ergonomics
- Compatible with ANEST IWATA pressure pots and diaphragm pumps

TECHNICAL

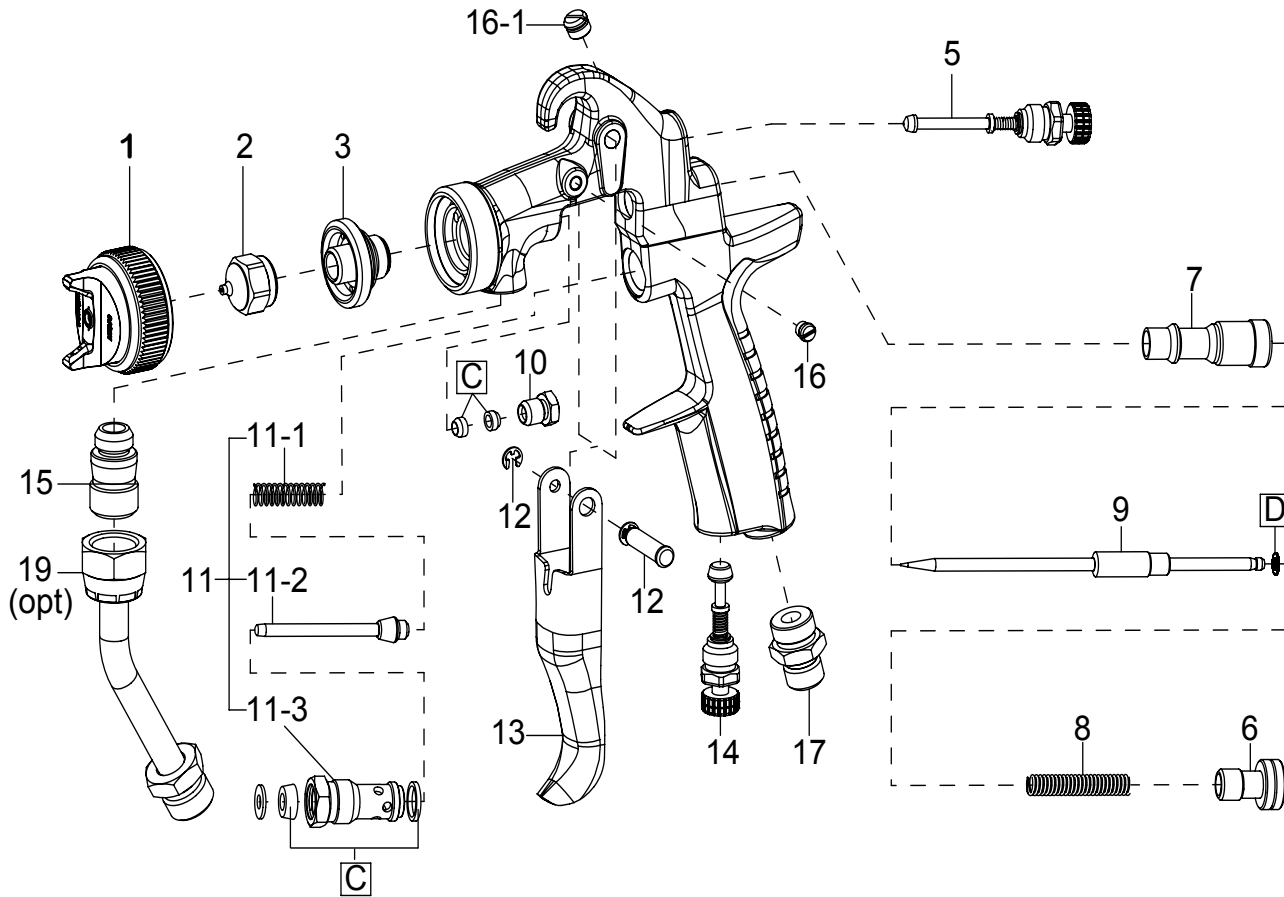


AZ1-HVLP-CONCEPT						
AZ1-HVLP-10P	1.0	HVLP -P6	1.4/20	400	9.88	310
AZ1-HVLP-13P	1.3					360
AZ1-HVLP-15P	1.5					380
AZ1-HVLP-18P	1.8					
AZ1-HVLP-20P	2.0					
AZ1-HVLP-25P	2.5	HVLP -P7	1.2/17		8.12	320
AZ1-HVLP-30P	3.0					
AZ1-HVLP-35P	3.2					

ORDER Information - AZ1-HVLP-CONCEPT

	ø 1.0	ø 1.3	ø 1.5	ø 1.8	ø 2.0	ø 2.5	ø 3.0	ø 3.2
PRESSURE SPRAY GUN	9350	9351	9352	9353	9354	9355	9356	9357





SPARE PARTS

Ref.	Code	Description	Qty.
1	9370	AIR CAP SET	1.0mm - 2.0mm
1	9371	AIR CAP SET	2.5mm - 3.5mm
2+9	9380	FLUID NOZZLE + NEEDLE SET	1.0mm
2+9	9381	FLUID NOZZLE + NEEDLE SET	1.3mm
2+9	9382	FLUID NOZZLE + NEEDLE SET	1.5mm
2+9	9383	FLUID NOZZLE + NEEDLE SET	1.8mm
2+9	9384	FLUID NOZZLE + NEEDLE SET	2.0mm
2+9	9385	FLUID NOZZLE + NEEDLE SET	2.5mm
2+9	9386	FLUID NOZZLE + NEEDLE SET	3.0mm
2+9	9387	FLUID NOZZLE + NEEDLE SET	3.5mm
3	N/A	NOZZLE HOLDER	
5	93842601	PATTERN ADJUSTMENT SET	
6	9145B	FLUID NEEDLE ADJ. KNOB	
7	9135	NEEDLE ADJ. GUIDE	
8	9155B	NEEDLE SPRING	

Ref.	Code	Description	Qty.
10	9134	NEEDLE PACKING NUT	
11	9211	AIR VALVE SET	
11-1	9156B	AIR VALVE SPRING	
11-2	9146B	AIR VALVE	
11-3	9148B	AIR VALVE SEAT	
12	9133	TRIGGER STUD	
13	9256	TRIGGER	
14	93845531	AIR ADJUSTMENT SET	
15	9324	FLUID NIPPLE G3/8"	
16	9196	SCREW	
16-1	9257	PLUG	
17	9213	AIR NIPPLE G1/4"	
19	9324	PAINT TUBE (OPT. FOR AZ1 HTE 2P)	
C	9258B	PACKING SET	(3 pcs./1pk)
D	9259	SLIDE RING KIT	(10 pcs./1pk)

AIR GUNSA AZ3 HTE-S IMPACT



FEATURES

- HVLP spray gun with low operating air pressure
- High quality filler spray gun
- Flat and thin spray pattern with fine atomization
- All fluid passages are in stainless steel
- Simple operation of the control knobs, for right and left handers
- Costs for spare parts replacement extremely customer friendly

TECHNICAL



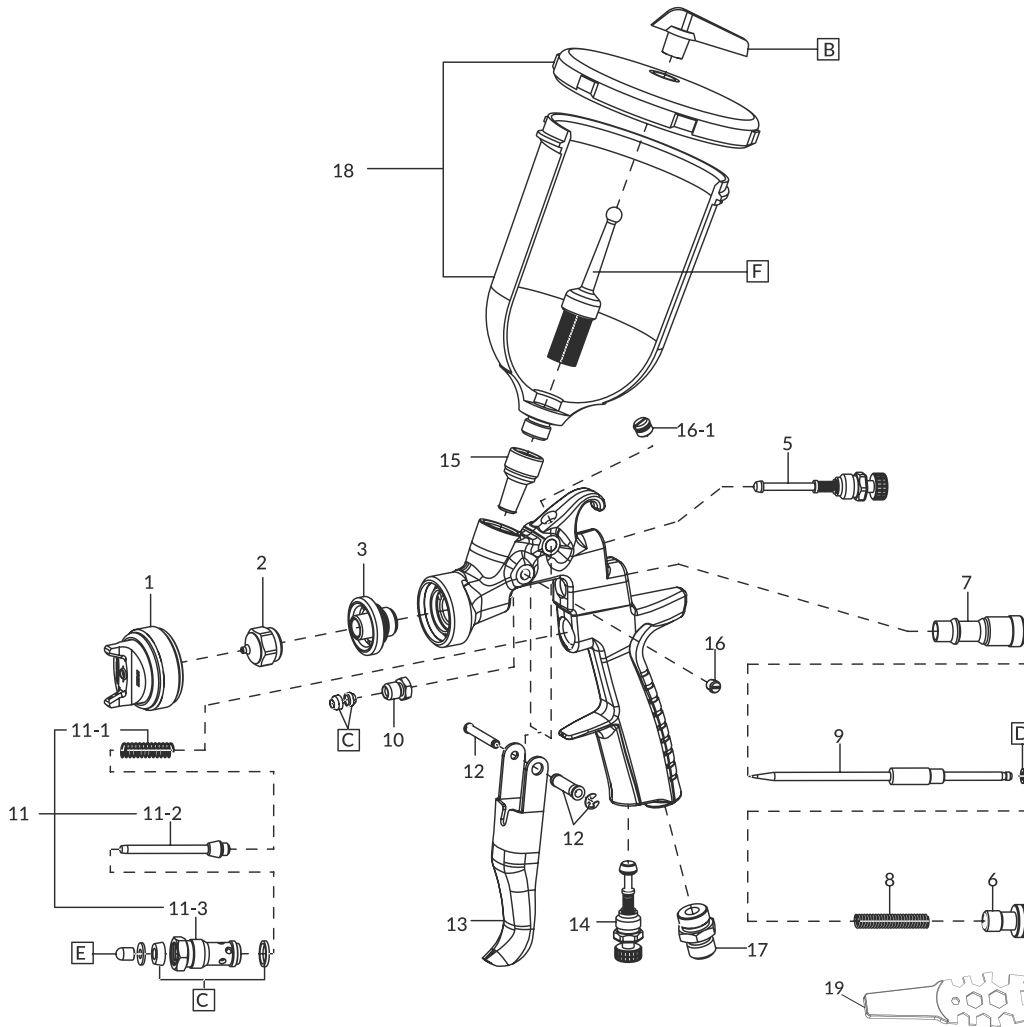
AZ3 HTE-S IMPACT HVLP

	1.3		1.8	307	5.7	
	1.4				6.2	
AZ3 HTE-S IMPACT HVLP	1.5		HVL P 1		6.7	
	1.6				3.2	
	1.8				3.5	
	2.0		HVL P 2	2.1	369	
					3.9	
					280	
				300		
				320		
				260		
				280		
				300		

• Air Nipple: G1/4" • Fluid Nipple: G1/4"

ORDER Information - AZ3 HTE-S IMPACT W/ 600ml CUP

	ø 1.3	ø 1.4	ø 1.5	ø 1.6	ø 1.8	ø 2.0
GRAVITY SPRAY GUN + PCG-6P-2-AZ - 600 ml	9270	9274	9271	9275	9272	9273
NOZZLE + NEEDLE SET	9280	9286	9281	9287	9282	9283
AIR CAP SET	9284			9285		



SPARE PARTS

Ref.	Code	Description	Qty.
1		AIR CAP SET	
2+9		FLUID NOZZLE + FLUID NEEDLE SET	
3	9901	NOZZLE HOLDER	
5	93842601	PATTERN ADJ. SET	
6	9913	FLUID NEEDLE ADJ. KNOB	
7	9135	FLUID NEEDLE GUIDE	
8	9155B	FLUID NEEDLE SPRING	
10	9134	FLUID NEEDLE PACKING NUT	
11	9211	AIR VALVE SET	
11-1	9156B	AIR VALVE SPRING	
11-2	9146B	AIR VALVE	
11-3	9148	AIR VALVE SEAT	
12	9914	TRIGGER STUD	
13	9256	TRIGGER	
14	93845531	AIR ADJ. SET	
15	9902	THREADED BUSHING	
16	9196	SCREW	
16-1	9257	PLUG	
17	9915	AIR NIPPLE	
C	9166	PACKING SET	(3 pcs./1 pk.)
D	9259	SLIDE RING SET	(10 pcs./1 pk.)
E	9916	AIR VALVE SHAFT TIP SET	(3 pcs./1 pk.)

Ref.	Code	Description	Qty.
18	9290	PCG-6P-2-AZ GRAVITY CUP 600 ml	
B	9164	NON DRIP SET	(5 pcs./1 pk.)
F	9167	FILTER SET 50 MESH (297µ)	(5 pcs./1 pk.)
19	9912	UNIVERSAL SPANNER	

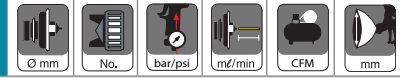
AIR GUNSA AZ3 HV-2 HVLP



FEATURES

- HVLP spray gun with low operating air pressure
- Robust spray gun
- Flat and thin spray pattern with a fine atomization
- All wetted parts in stainless steel
- Replacement parts available
- O-Ring Kit Part #9166

TECHNICAL



AZ3 HV-2 HVLP						
AZ3HV2-13GC	1.3	HVLP	2.0/30	150	11.0	340
AZ3HV2-15GC	1.5			185	11.4	
AZ3HV2-18GC	1.8			215	13.4	
AZ3HV2-20GC	2.0			240	14.2	

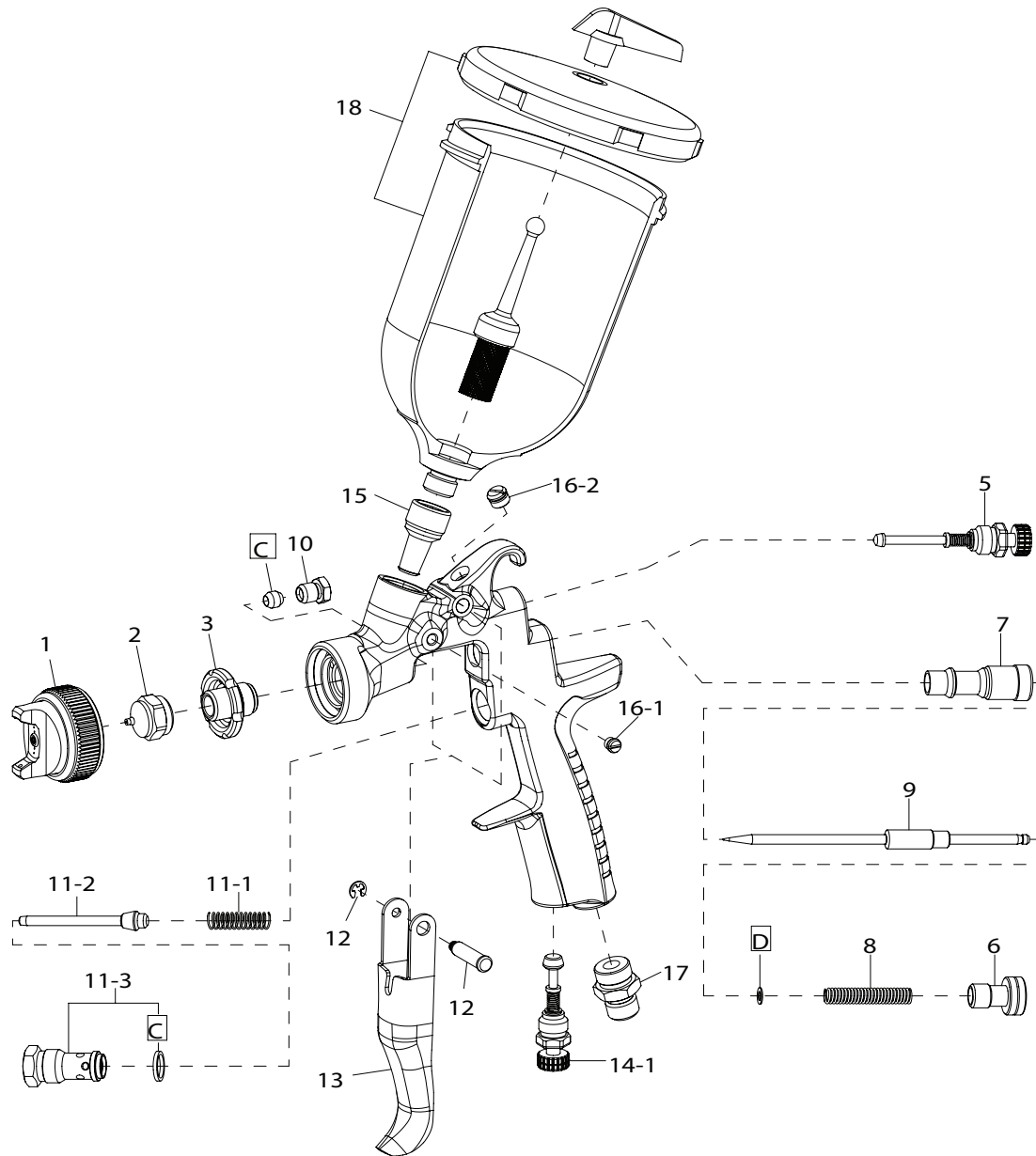


Air GunSA HVLP Gravity
Spray Gun Kit
Part #9276

ORDER Information - AZ3 HV-2 HVLP W/ 600ml CUP

	ø 1.3	ø 1.5	ø 1.8	ø 2.0
GRAVITY SPRAY GUN + PCG6PM - 600 ml	9230	9231	9232	9233
NOZZLE + NEEDLE SET	9173	9152	9153	9154
AIR CAP SET	9254			





SPARE PARTS

Ref.	Code	Description	Qty.
1		AIR CAP SET	
2+9		NOZZLE + NEEDLE SET	
3	9193	NOZZLE HOLDER	
5	93842601	PATTERN ADJ. SET	
6	9145B	FLUID NEEDLE ADJ. KNOB	
7	9135	FLUID NEEDLE GUIDE	
8	9155B	FLUID NEEDLE SPRING	
10	9134	FLUID NEEDLE PACKING NUT	
11	9211	AIR VALVE SET	
11-1	9156B	AIR VALVE SPRING	
11-2	9146-B	AIR VALVE SHAFT	

Ref.	Code	Description	Qty.
11-3	9148	AIR VALVE SEAT	
12	9133	TRIGGER STUD	
13	9256	TRIGGER	
14-1	93845531	AIR ADJ. SET	
14-2	93625370	PLUG	
15	9195	THREADED BUSHING	
16-1	9196	SCREW	
16-2	9257	PLUG	
17	9213	AIR NIPPLE	
C	9166	PACKING SET	(3 pcs./1 pk.)
18	9131	600ml CUP SET	

W-400-LV



W-400-LV
with PCG10EM
Cup

FEATURES

- Compliant spray gun that meets EPA NESHAP 40 CFR, Part 63 Subpart 6H
- Proven Split Nozzle™ Technology for increased material savings
- Tulip inspired spray pattern
- Ideal for general purpose use
- Quality surface for easy cleaning
- Minimal wear parts for easy maintenance

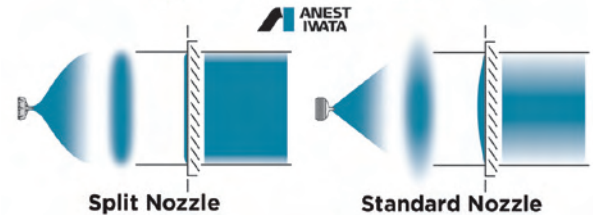
TECHNICAL



W-400-LV					
W-400LV-124G	1.2	LV4	1.4/20	100	250
W-400LV-134G	1.3			140	270
W-400LV-144G	1.4			155	290
W-400LV-164G	1.6			185	305
W-400LV-184G	1.8			235	325

• Air Nipple: G1/4" • Fluid Nipple: M16 X 1.5mm

PROVEN SPLIT NOZZLE™ TECHNOLOGY



Split Nozzle

Standard Nozzle

ORDER Information - W-400-LV W/O REGULATOR

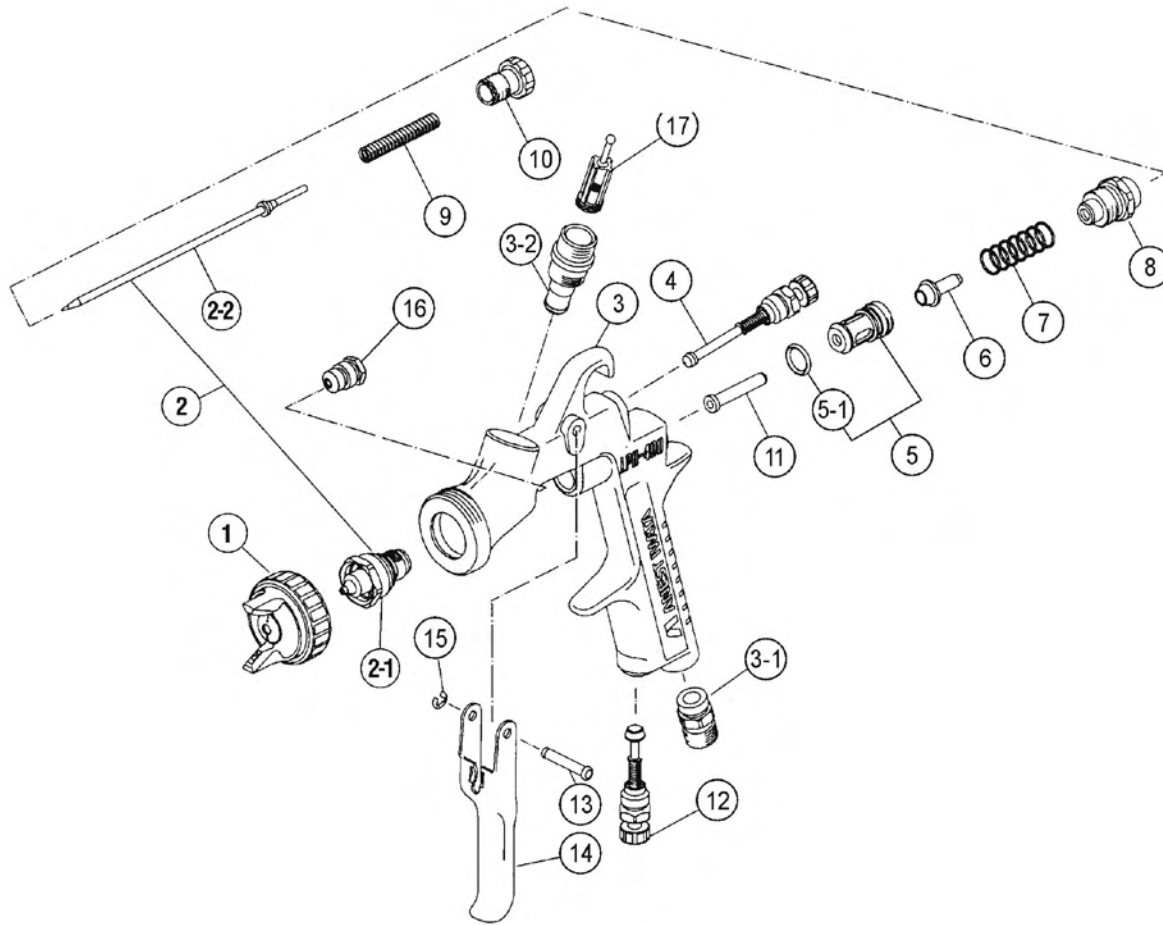
	ø 1.2	ø 1.3	ø 1.4	ø 1.6	ø 1.8
GRAVITY SPRAY GUN	4750	4755	4760	4765	4770
GRAVITY SPRAY GUN + PCG6PM - 600 ml	4751	4756	4761	4766	4771
GRAVITY SPRAY GUN + PCG7EM - 700 ml	4752	4757	4762	4767	4772
GRAVITY SPRAY GUN + PCG10EM - 1000 ml	4753	4758	4763	4768	4773
NOZZLE + NEEDLE SET	93627610	93634610	93628610	93622620	93635620
AIR CAP SET	LV4 93631621				

ORDER Information - W-400-LV W/ AK-1B2 AIR REGULATOR

	ø 1.2	ø 1.3	ø 1.4	ø 1.6	ø 1.8
GRAVITY SPRAY GUN	4775	4780	4785	4790	4795
GRAVITY SPRAY GUN + PCG6PM - 600 ml	4776	4781	4786	4791	4796
GRAVITY SPRAY GUN + PCG7EM - 700 ml	4777	4782	4787	4792	4797
GRAVITY SPRAY GUN + PCG10EM - 1000 ml	4778	4783	4788	4793	4798

ORDER Information - W-400-LV W/ AK-1R2 AIR REGULATOR

	ø 1.2	ø 1.3	ø 1.4	ø 1.6	ø 1.8
GRAVITY SPRAY GUN	4855	4860	4865	4870	4875
GRAVITY SPRAY GUN + PCG6PM - 600 ml	4856	4861	4866	4871	4876
GRAVITY SPRAY GUN + PCG7EM - 700 ml	4857	4862	4867	4872	4877
GRAVITY SPRAY GUN + PCG10EM - 1000 ml	4858	4863	4868	4873	4878



SPARE PARTS

Ref.	Code	Description	
1		AIR CAP SET	
2		NOZZLE + NEEDLE SET	
3-1	93660300	AIR NIPPLE	1/4"
3-2	93650531	FLUID NIPPLE	M16X1.5
4	93842601	PATTERN ADJ. SET	
5	93843530	AIR VALVE SEAT SET	
5-1	96638008	O RING	
6	93591530	AIR VALVE	
7	93719530	AIR VALVE SPRING	
8	93844532	FLUID ADJUST GUIDE SET	
9	93593530	FLUID NEEDLE SPRING	
10	93594532	FLUID ADJUST KNOB	
11	93935430	AIR VALVE SHAFT	
12	93845531	AIR ADJUST SET	
13	93667360	TRIGGER STUD	
14	93517600	TRIGGER	
15	93912030	STOPPER	(2 PCS./1PK.)
16	93765610	CARTRIDGE PACKING	
17	93515500	FILTER	60 MESH

ACCESSORIES

Ref.	Code	Description
	93708240	AIR CAP PACKING (WHITE)
	93512600	AIR CAP PACKING (BLACK)
	2950	MK5 MAINTENANCE KIT
	5650	REPAIR SERVICE KIT (includes: 4, 7-1, 9, 11, 15, 17)

WS-200 SERIES



WS-200 SP



WS-200 FT

FEATURES

- Available with proven Split Nozzle™ Technology for increased material savings
- Unmatched transfer efficiency
- Lightweight, ergonomic design
- Produces a high quality finish
- Forged aluminum body with stainless steel fluid passages for durability
- Ease of maintenance

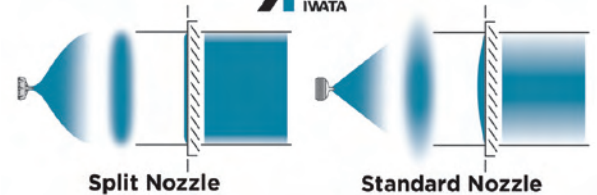
TECHNICAL



WS-200 SP PRESSURE - SPLIT NOZZLE TECHNOLOGY						
Model	ø mm	no.	bar/psi	mℓ/min	CFM	mm/in
WS-200SP-0801	0.8	WS-200SP-01	2.5/36	200	15.3	210/8.3
WS-200SP-1001	1.0					230/9.1
WS-200SP-1201	1.2					240/9.4
WS-200SP-1401	1.4					240/9.4
WS-200SP-1601	1.6					255/10.0
WS-200SP-1801	1.8					265/10.4
WS-200 FT PRESSURE - FLAT NOZZLE						
Model	ø mm	no.	bar/psi	mℓ/min	CFM	mm/in
WS-200FT-0802	0.8	WS-200FT-02	3.0/43	200	16.7	215/8.5
WS-200FT-1002	1.0					250/9.8
WS-200FT-1202	1.2					255/10.0
WS-200FT-1402	1.4					255/10.0
WS-200FT-1602	1.6					270/10.6
WS-200FT-1802	1.8					285/11.2

Air nipple: G1/4" and fluid nipple: fixed G3/8"

PROVEN SPLIT NOZZLE™ TECHNOLOGY

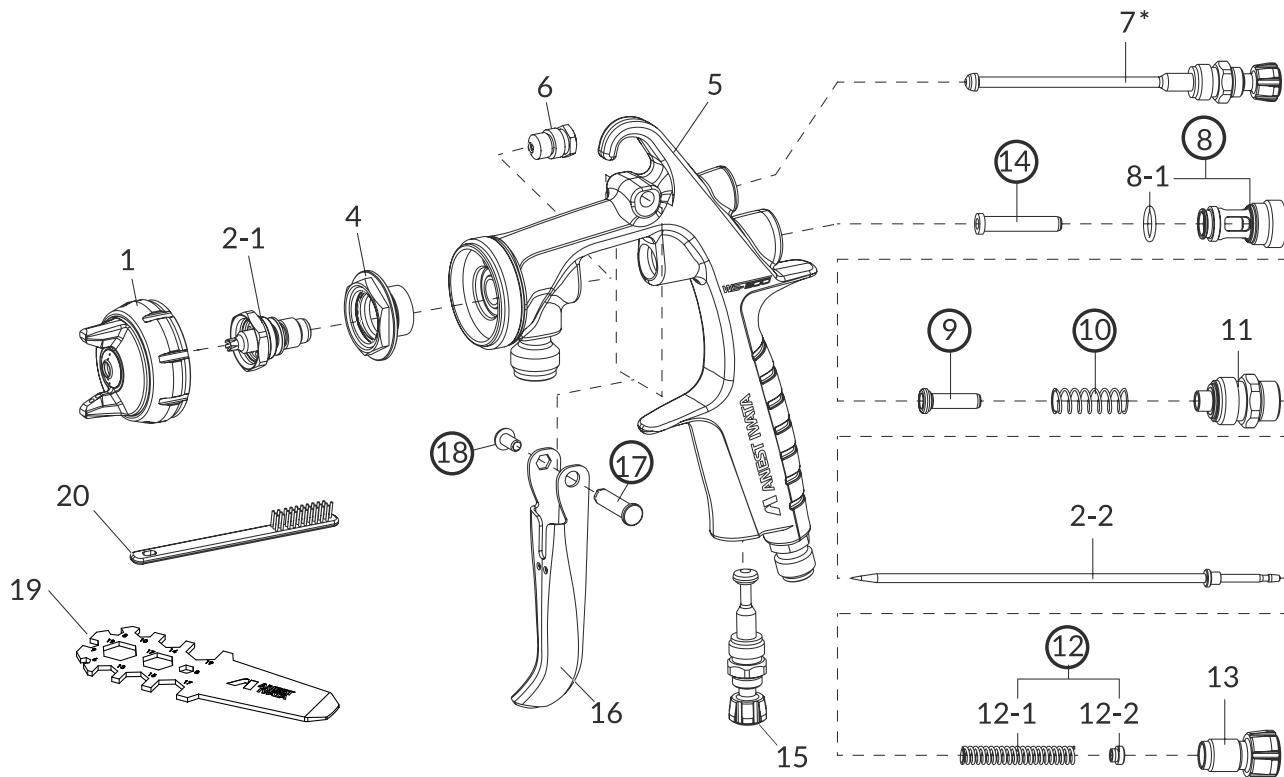


ORDER Information - WS-200 SP - Split Nozzle Technology

	ø 0.8	ø 1.0	ø 1.2	ø 1.4	ø 1.6	ø 1.8
WS-200 SP PRESSURE SPRAY GUN	4691	4690	4695	4696	4697	4698
NOZZLE + NEEDLE SET	93007240	93007490	93007550	93007620	93007650	93003690
AIR CAP SET	WS-200 SP-01 93001300					

ORDER Information - WS-200 FT - Flat Tip Nozzle

	ø 0.8	ø 1.0	ø 1.2	ø 1.4	ø 1.6	ø 1.8
WS-200 FT PRESSURE SPRAY GUN	4594	4595	4596	4597	4598	4599
NOZZLE + NEEDLE SET	93002180	93002150	93002130	93003420	93003480	93003500
AIR CAP SET	WS-200 FT-02 93002190					



SPARE PARTS

Ref.	Code	Description
1	see left	AIR CAP SET WS-200SP-01
1	see left	AIR CAP SET WS-200FT-01 and WS-200FT-02
2-1 + 2-2	see left	FLUID NOZZLE + NEEDLE SET WS-200SP
2-1 + 2-2	see left	FLUID NOZZLE + NEEDLE SET WS-200FT
4	93007750	BAFFLE RING SET (BAFFLE RING + PACKING)
6	93765610	NEEDLE PACKING SET
7	93001561	PATTERN ADJUSTMENT
8	93001640	AIR VALVE SEAT SET
8-1	93001680	O RING
9	93001690	AIR VALVE
10	93001700	AIR VALVE SPRING
11	93001710	FLUID ADJUSTMENT GUIDE SET

Ref.	Code	Description
12	93002820	NEEDLE SPRING SET
12-1	93593530	FLUID NEEDLE SPRING
12-2	93001760	NEEDLE SPRING PACKING
13	93001780	FLUID ADJUSTMENT KNOB
14	93001790	AIR VALVE SHAFT
15	93001801	AIR ADJUSTMENT SET
16	93001820	TRIGGER SET
17	93001870	TRIGGER STUD
18	93001960	HEX. SOCKET BUTTON BOLT
19	93505951	UNIVERSAL SPANNER
20	93019720	BRUSH
	93001540	AIR INLET 1/4 INCH

ACCESSORIES

Ref.	Code	Description
	5655	REPAIR SERVICE KIT (includes: 6, 8, 10, 12, 17, 18)

W-400



W-400
with PCG6PM Cup

FEATURES

- High transfer efficiency spray gun
- Fine atomization
- Ideal for general purpose use
- Quality surface for easy cleaning
- Minimal wear parts for easy maintenance

TECHNICAL

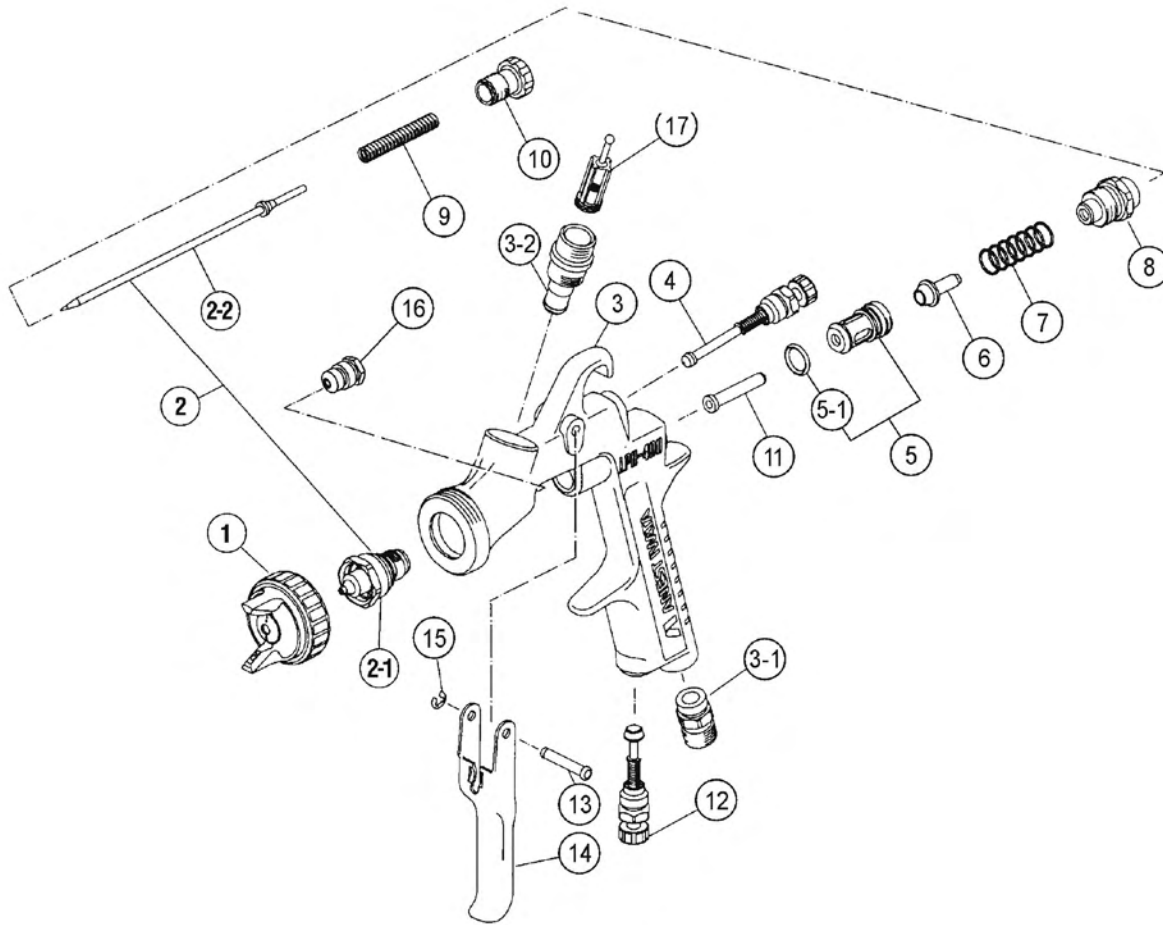


W-400						
Model	Ø mm	No.	bar/psi	m³/min	CFM	mm
W-400-122G	1.2	LV2	2.0/29	140	9.9	175
W-400-132G	1.3			160		225
W-400-142G	1.4			210		270
W-400-162G	1.6	LV1	2.0/29	240	10.2	260
W-400-182G	1.8			320		340
W-400-251G	2.5	W1		580	12.7	

• Air Nipple: G1/4" • Fluid Nipple: M16 X 1.5m

ORDER Information - W-400

	ø 1.2	ø 1.3	ø 1.4	ø 1.6	ø 1.8	ø 2.5
GRAVITY SPRAY GUN	4700	4725	4705	4710	4715	4720
GRAVITY SPRAY GUN + PCG6PM - 600 ml	4702	4727	4707	4712	4717	4722
GRAVITY SPRAY GUN + PCG7EM - 700 ml	4702T	4727T	4707T	4712T	4717T	4722T
GRAVITY SPRAY GUN + PCG10EM - 1000 ml	4702U	4727U	4707U	4712U	4717U	4722U
NOZZLE + NEEDLE SET	93891610	93881610	93831610	93832610	93821610	93819610
AIR CAP SET	LV2 93830611			LV1 93859611		W1 93813611



SPARE PARTS

Ref.	Code	Description	
1		AIR CAP SET	
2		NOZZLE + NEEDLE SET	
3-1	93660300	AIR NIPPLE	1/4"
3-2	93650531	FLUID NIPPLE	M16X1.5
4	93842601	PATTERN ADJ. SET	
5	93843530	AIR VALVE SEAT SET	
5-1	96638008	O RING	
6	93591530	AIR VALVE	
7	93719530	AIR VALVE SPRING	
8	93844532	FLUID ADJUST GUIDE SET	
9	93593530	FLUID NEEDLE SPRING	
10	93594532	FLUID ADJUST KNOB	
11	93935430	AIR VALVE SHAFT	
12	93845531	AIR ADJUST SET	
13	93667360	TRIGGER STUD	
14	93517600	TRIGGER	
15	93912030	STOPPER	(2 PCS./1PK.)
16	93765610	CARTRIDGE PACKING	
17	93515500	FILTER	60 MESH

ACCESSORIES

Ref.	Code	Description
	93708240	AIR CAP PACKING (WHITE)
	93512600	AIR CAP PACKING (BLACK)
	2950	MK5 MAINTENANCE KIT
	5650	REPAIR SERVICE KIT (includes: 4, 7-1, 9, 11, 15, 17)

WIDER1



FEATURES

- Lightweight, ergonomic design
- Easier maintenance & cleaning
- Intuitive, user-friendly pattern adjustment
- Larger air valve seat set orifices for consistent installation
- Low air consumption, reduces waste
- Corrosion-resistant stainless steel fluid passages

TECHNICAL



WIDER1 SIPHON						
WIDER1-10E1S	1.0	E1	2.5/36	85	2.6	120
WIDER1-13K1S	1.3	K1			150	5.1
WIDER1-13H2S	1.3	H2		7.9		160
WIDER1-15K1S	1.5	K1		175	5.1	170
WIDER1-15H2S	1.5	H2		170	7.9	175
WIDER1-18N1S	1.8	N1		210	6.0	170
WIDER1 SIDE GRAVITY						
WIDER1-101G	1.0	E1	2.5/36	95	2.6	130
WIDER1-131G	1.3	K1			160	5.1
WIDER1-132G	1.3	H2		7.9		175
WIDER1-151G	1.5	K1		200	5.1	180
WIDER1-152G	1.5	H2		190	7.9	190
WIDER1-181G	1.8	N1		240	6.0	
WIDER1 PRESSURE						
WIDER1-08E2P	0.8	E2P	3.0/43	150	9.5	190
WIDER1-10E2P	1.0			200	9.5	220
WIDER1-13E2P	1.3		2.5/36	200	7.8	210
WIDER1-15E2P	1.5	250		7.8	240	

Air Nipple: G1/4" • Fluid Nipple: G1/4"

See page 67
for cup/siphon
container options
(sold separately)

ORDER Information - WIDER1 Siphon

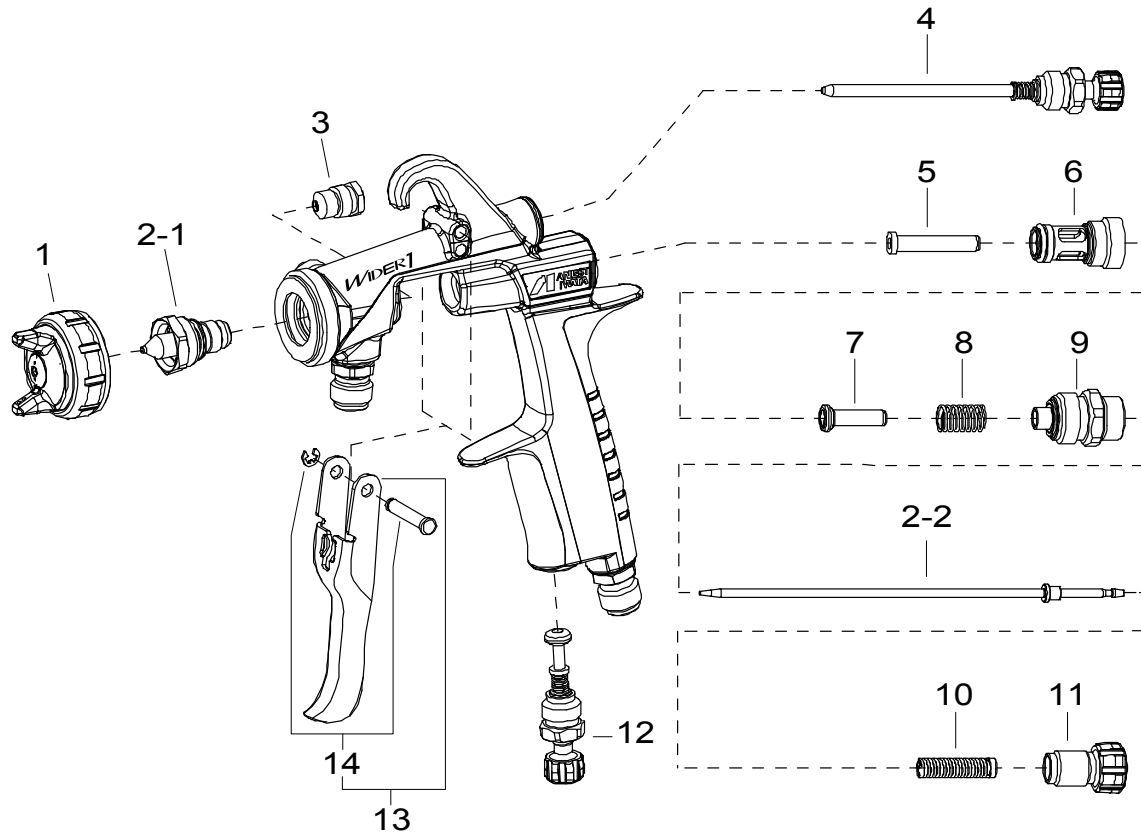
	ø 1.0	ø 1.3 (K1)	ø 1.5 (K1)	ø 1.3(H2)	ø 1.5(H2)	ø 1.8
SIPHON SPRAY GUN	10015	10021	10034	10025	10035	10045
NOZZLE + NEEDLE SET	93012430	93012350	93012460	93012350	93012460	93012480
AIR CAP SET	E1 93012230	K1 Coming Soon		H2 93012150		N1 93012270

ORDER Information - WIDER1 Side Gravity

	ø 1.0	ø 1.3 (K1)	ø 1.5 (K1)	ø 1.3(H2)	ø 1.5(H2)	ø 1.8
SIDE GRAVITY SPRAY GUN	10020	10031	10039	10030	10040	10046
NOZZLE + NEEDLE SET	93012430	93012350	93012460	93012350	93012460	93012480
AIR CAP SET	E1 93012230	K1 Coming Soon		H2 93012150		N1 93012270

ORDER Information - WIDER1 Pressure

	ø 0.8	ø 1.0	ø 1.3	ø 1.5
PRESSURE SPRAY GUN	10010	10011	10012	10013
NOZZLE + NEEDLE SET	93012390	93012430	93012350	93012460
AIR CAP SET	E2P 93012200			



SPARE PARTS

Ref.	Code	Description	
1		AIR CAP SET	
2-1		NOZZLE + NEEDLE SET	
3	93765610	NEEDLE PACKING CARTRIDGE	
4	93012580	PATTERN ADJUSTMENT SET	
5	93001790	AIR VALVE SHAFT	
6	93001640	AIR VALVE SEAT SET	WS-200
7	93001690	AIR VALVE	WS-200
8	93001700	AIR VALVE SPRING	WS-200
9	93012630	FLUID ADJUSTMENT GUIDE	
10	93002820	FLUID NEEDLE SPRING	WS-200
11	93012650	FLUID ADJUSTMENT KNOB	
12	93012660	AIR ADJ. SET	
13	93013800	TRIGGER ASSEMBLY	
14	93013810	TRIGGER STUD ASSEMBLY	

ACCESSORIES

Ref.	Code	Description
	93017689	AIR CAP PACKING
	5654	REPAIR SERVICE KIT (includes: 3, 6, 8, 10, 14)

WIDER2



FEATURES

- Lightweight, ergonomic design
- Easier maintenance & cleaning
- Intuitive, user-friendly pattern adjustment
- Larger air valve seat set orifices for consistent installation
- Low air consumption, reduces waste
- Corrosion-resistant stainless steel fluid passages

TECHNICAL



WIDER2 SIPHON						
Model	Ø mm	No.	Pressure	Air Consumption (m³/min)	Air Consumption (CFM)	Length (mm)
WIDER2-15K1S	1.5	K1	3.0/43	240	7.1	210
WIDER2-15K2S	1.5	K2		290	11.7	290
WIDER2-18K2S	1.8	K2		290	11.7	340
WIDER2-20R1S	2.0	R1		350	9.2	260
WIDER2-20R2S	2.0	R2		350	12.7	290
WIDER2-25W1S	2.5	W1		440	12.7	280
WIDER2 SIDE GRAVITY						
Model	Ø mm	No.	Pressure	Air Consumption (m³/min)	Air Consumption (CFM)	Length (mm)
WIDER2-15K1G	1.5	K1	3.0/43	270	7.1	220
WIDER2-15K2G	1.5	K2		290	11.7	320
WIDER2-18K2G	1.8	K2		290	11.7	340
WIDER2-20R1G	2.0	R1		410	9.2	280
WIDER2-20R2G	2.0	R2		410	12.7	320
WIDER2-25W1G	2.5	W1		510	12.7	310
WIDER2 PRESSURE						
Model	Ø mm	No.	Pressure	Air Consumption (m³/min)	Air Consumption (CFM)	Length (mm)
WIDER2-12G2P	1.2	G2P	3.0/43	500	17.7	400

Air Nipple: G1/4" • Fluid Nipple: G3/8"

See page 67
for cup/siphon
container options
(sold separately)

ORDER Information - WIDER2 Siphon

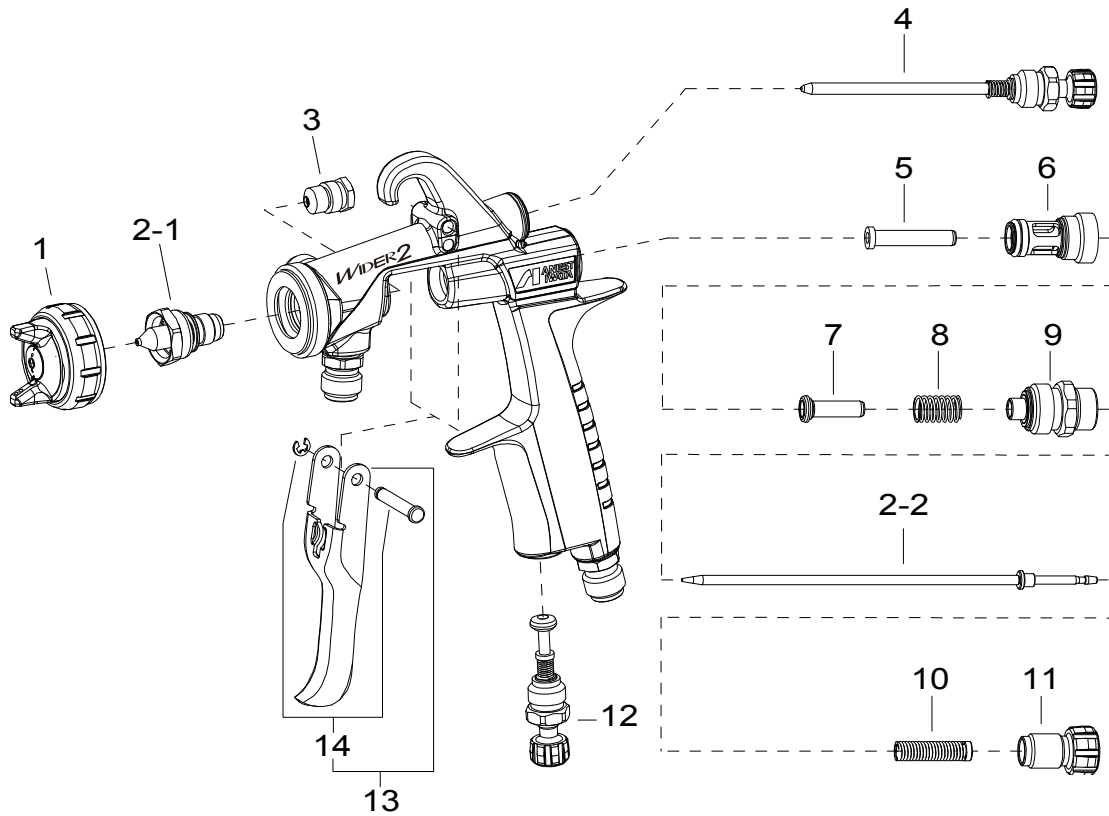
	Ø 1.5 (K1)	Ø 1.5 (K2)	Ø 1.8	Ø 2.0 (R1)	Ø 2.0 (R2)	Ø 2.5
SIPHON SPRAY GUN	20015	20020	20025	20030	20031	20033
NOZZLE + NEEDLE SET	93011680	93011680	93011730	93011740	93011740	93011810
AIR CAP SET	K1 93011690	K2 93011710		R1 93011750	R2 93011790	W1 93011820

ORDER Information - WIDER2 Side Gravity

	Ø 1.5 (K1)	Ø 1.5 (K2)	Ø 1.8	Ø 2.0 (R1)	Ø 2.0 (R2)	Ø 2.5
SIDE GRAVITY SPRAY GUN	20016	20021	20026	20035	20032	20034
NOZZLE + NEEDLE SET	93011680	93011680	93011730	93011740	93011740	93011810
AIR CAP SET	K1 93011690	K2 93011710		R1 93011750	R2 93011790	W1 93011820

ORDER Information - WIDER2 Pressure

	Ø 1.2
PRESSURE SPRAY GUN	20010
NOZZLE + NEEDLE SET	93011570
AIR CAP SET	G2P 93011670



SPARE PARTS

Ref.	Code	Description	
1		AIR CAP SET	
2-1		NOZZLE + NEEDLE SET	
3	93810620	NEEDLE PACKING CARTRIDGE	PRESSURE
3	93765610	NEEDLE PACKING CARTRIDGE	SIPHON/GRAVITY
4	93011630	PATTERN ADJUSTMENT SET	
5	93001790	AIR VALVE SHAFT	WS-200
6	93001640	AIR VALVE SEAT SET	WS-200
7	93001690	AIR VALVE	WS-200
8	93001700	AIR VALVE SPRING	WS-200
9	93012630	FLUID ADJUSTMENT GUIDE	
10	93002820	FLUID NEEDLE SPRING	WS-200
11	93012650	FLUID ADJUSTMENT KNOB	
12	93012660	AIR ADJ. SET	
13	93014500	TRIGGER ASSEMBLY	
14	93013810	TRIGGER STUD ASSEMBLY	

ACCESSORIES

Ref.	Code	Description
	93017700	AIR CAP PACKING
	5654	REPAIR SERVICE KIT (includes: 3, 6, 8, 10, 14)

AIR GUNSA AZ3 HTE-2



FEATURES

- Robust spray gun
- Flat and thin spray pattern with a fine atomization
- All wetted parts in stainless steel
- Replacement parts available
- O-Ring Kit Part #9166

TECHNICAL



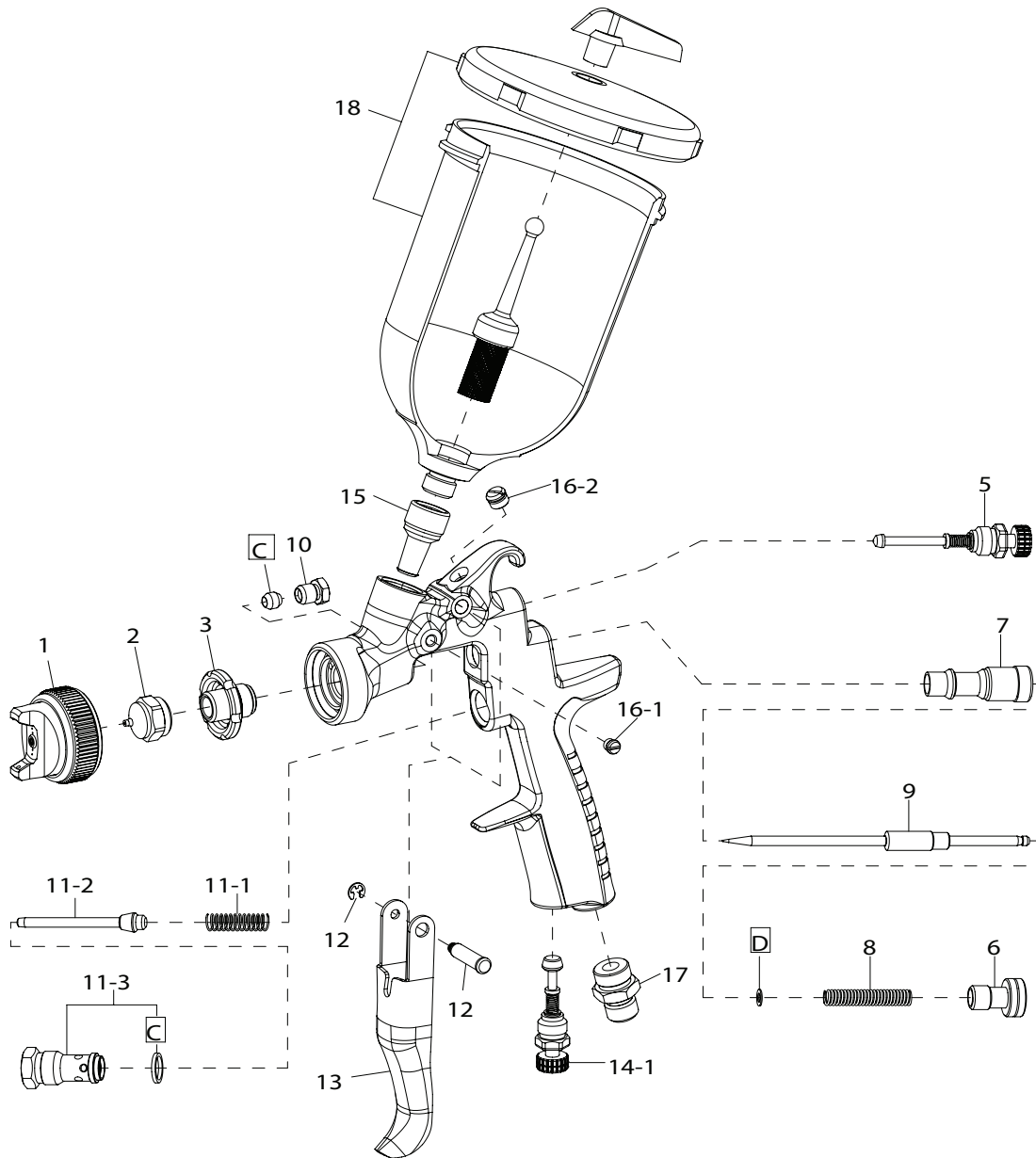
AZ3 HTE-2

AZ3 HTE-2	Ø mm	No.	bar/psi	m³/min	CFM	mm
AZ3 HTE-2	1.5	18-20 HTE	3.0/44	160	7.0	254
	1.8	28-30 HTE		250	7.5	305
	2.0	35 HTE	300	7.5	343	
	3.0		560	10.5	406	
	3.5		600	10.5	419	

ORDER Information - AZ3 HTE-2 W/ 600ml CUP

	ø 1.3	ø 1.5	ø 1.8	ø 2.0	ø 3.0	ø 3.5
GRAVITY SPRAY GUN + PCG6PM - 600 ml	9234	9235	9236	9237	9238	9239
NOZZLE + NEEDLE SET	9186	9187	9220	9221	9224	9225
AIR CAP SET	9250		9251		9252	9253





SPARE PARTS

Ref.	Code	Description	Qty.
1		AIR CAP SET	
2+9		NOZZLE + NEEDLE SET	
3	9193	NOZZLE HOLDER	
5	93842601	PATTERN ADJ. SET	
6	9145B	FLUID NEEDLE ADJ. KNOB	
7	9135	FLUID NEEDLE GUIDE	
8	9155B	FLUID NEEDLE SPRING	
10	9134	FLUID NEEDLE PACKING NUT	
11	9211	AIR VALVE SET	
11-1	9156B	AIR VALVE SPRING	
11-2	9146-B	AIR VALVE SHAFT	

Ref.	Code	Description	Qty.
11-3	9148	AIR VALVE SEAT	
12	9133	TRIGGER STUD	
13	9256	TRIGGER	
14-1	93845531	AIR ADJ. SET	
14-2	93625370	PLUG	
15	9195	THREADED BUSHING	
16-1	9196	SCREW	
16-2	9257	PLUG	
17	9213	AIR NIPPLE	
C	9166	PACKING SET	(3 pcs./1 pk.)
18	9131	600ml CUP SET	

AIR GUNSA AZ3 HTE P.A.S. CONCEPT



FEATURES

- Robust spray gun with pressurized cup most suitable for high viscosity materials
- Large, uniform spray pattern also with high viscosity materials, thanks to the Pressure Assisted System (P.A.S.)
- Costs for spare parts replacement extremely customer friendly
- High material transfer rate
- All fluid passages are in stainless steel
- Precise mini-controller for cup pressure

TECHNICAL



AZ3 HTE P.A.S. CONCEPT

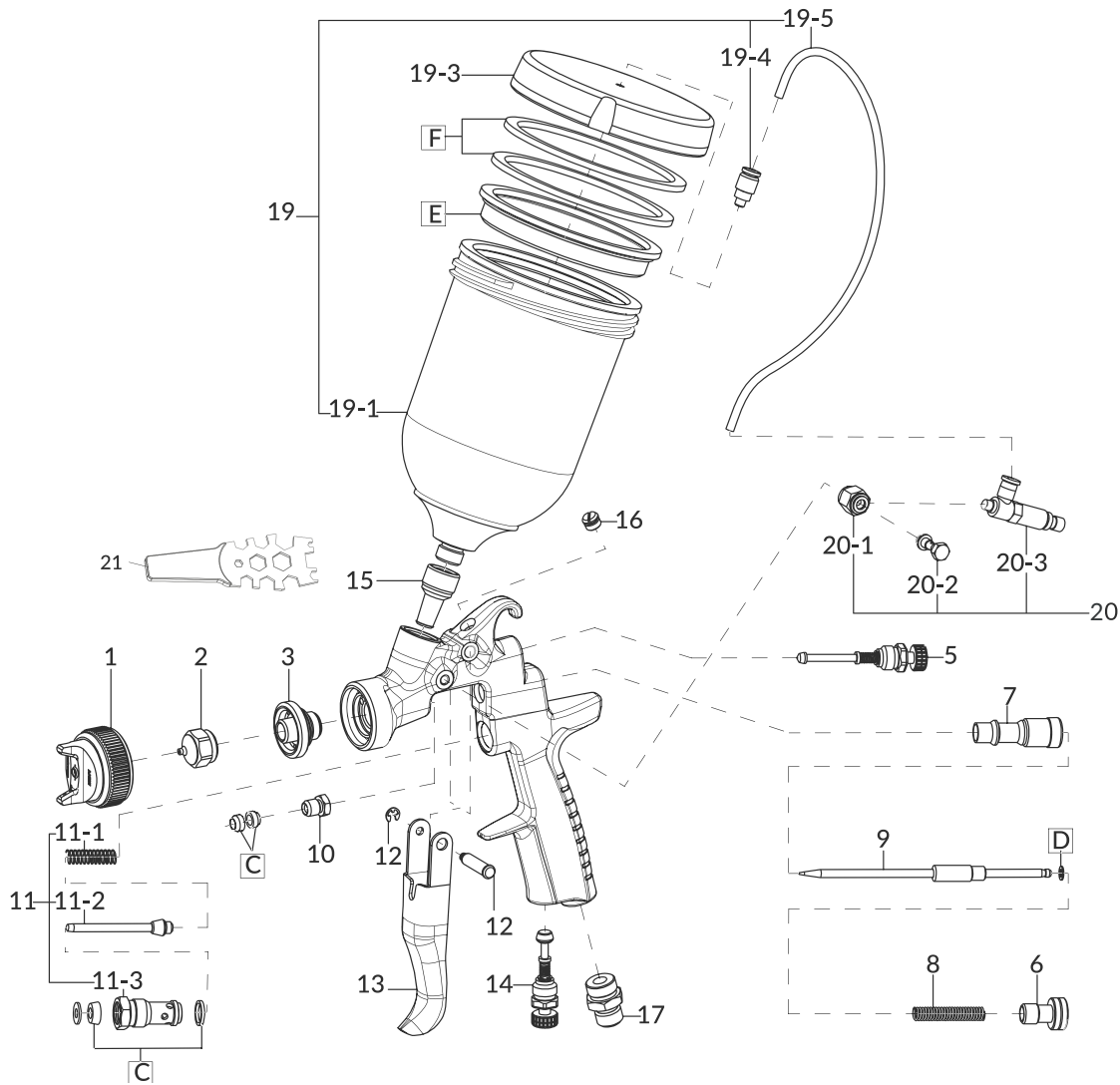
Ø mm	No.	bar/psi	m³/min	CFM	mm
1.5	260	320			
1.8	396	380			
2.0	410	400			

• Air Nipple: G1/4" • Fluid Nipple: G1/4"

ORDER Information - AZ3 HTE P.A.S. CONCEPT W/ 600ml CUP

	ø 1.3	ø 1.5	ø 1.8	ø 2.0
GRAVITY SPRAY GUN + PCGP-6P 2B-AZ - 600 ml	9260	9261	9262	9263
NOZZLE + NEEDLE SET	9421	9422	9423	9244
AIR CAP SET (HTE-P1 CONCEPT)	9900			

AIR GUNSA AZ3 HTE P.A.S. CONCEPT

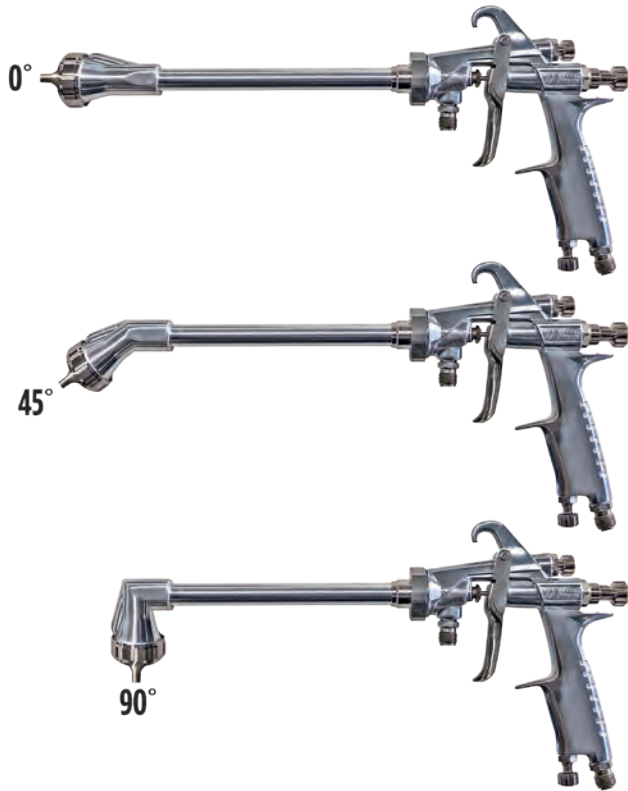


SPARE PARTS

Ref.	Code	Description	Qty.
1		AIR CAP SET	
2+9		NOZZLE + NEEDLE SET	
3	9901	NOZZLE HOLDER	
5	93842601	PATTERN ADJ. SET	
6	9145B	FLUID NEEDLE ADJ. KNOB	
7	9135	FLUID NEEDLE GUIDE	
8	9155B	FLUID NEEDLE SPRING	
6	9134	FLUID NEEDLE PACKING NUT	
11	9211	AIR VALVE SET	
11-1	9156B	AIR VALVE SPRING	
11-2	9146B	AIR VALVE	
11-3	9148B	AIR VALVE SEAT	
12	9133	TRIGGER STUD	
13	9256	TRIGGER	
14	93845531	AIR ADJ. SET	
15	9902	THREADED BUSING	
16	9257	PLUG	
17	9213	AIR NIPPLE	

Ref.	Code	Description	Qty.
C	9258B	PACKING SET	3 pcs./1 pk.
D	9259	SLIDE RING SET	10 pcs. / 1 pk.
19	9264	PCGP-6P-2B-AZ PRESSURIZED CUP 600ML	
19-1	9903	PRESSURE CUP	
19-3	9904	LID	
19-4	9905	STRAIGHT MALE ADAPTOR	
19-5	9906	AIR HOSE	
E	9907	NON DRIP SET	3 pcs.
F	9908	LID PACKING SET	4 pcs.
20-1	W2SUB6066	PRESSURE REGULATOR SET	
20-1	9909	ORIENTING RING	
20-2	9910	BANJO STEM SINGLE	
20-3	9911	PRESSURE REGULATOR	
21	9912	UNIVERSAL SPANNER	

WIDER1 EXTENSION LW1-10E1 / LW-18N1



TECHNICAL							
		Ø mm	No.	bar/psi	m ³ /min	CFM	mm
LW1-10E1 PRESSURE							
LW-10B-0015	1.0	E1	2.9 / 42.7	150	3.2	175	
LW-10B-0030							
LW-10B-0050							
LW-10B-4515							
LW-10B-4530							
LW-10B-4550							
LW-10B-9015							
LW-10B-9030							
LW-10B-9050							
LW-18N1 PRESSURE							
LW-18N1-0015	1.8	N1	3.4 / 49.8	250	7.4	185	
LW-18N1-0030							
LW-18N1-0050							
LW-18N1-4515							
LW-18N1-4530							
LW-18N1-4550							
LW-18N1-9015							
LW-18N1-9030							
LW-18N1-9050							

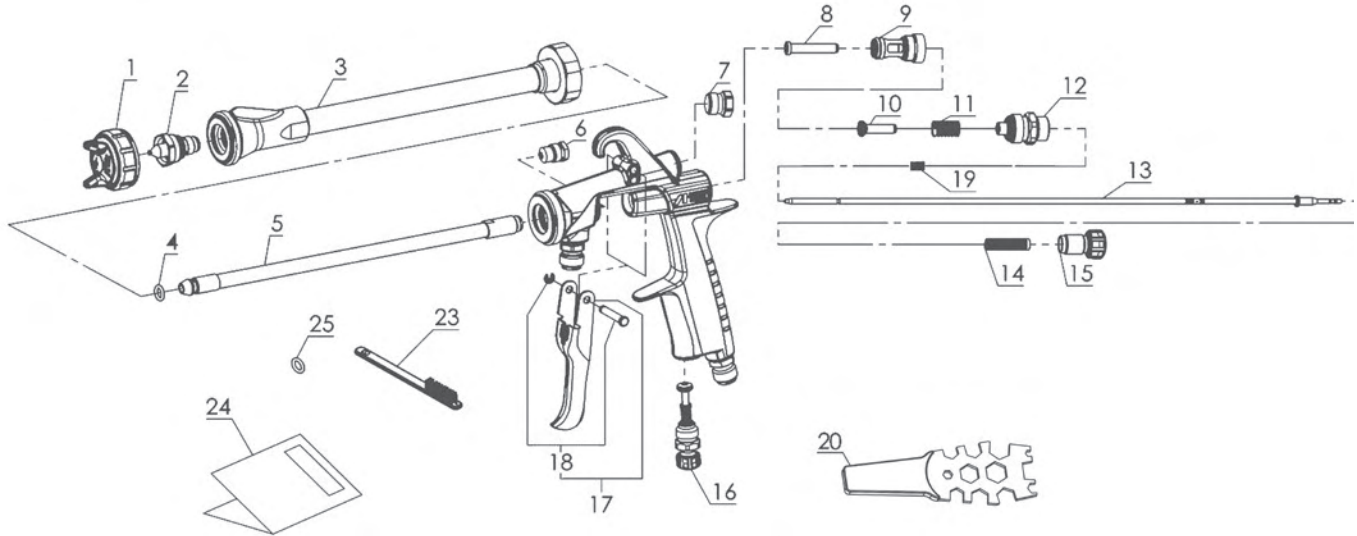
• Air Nipple: G1/4" • Fluid Nipple: G1/4"

HOW TO READ MODEL NUMBERS		
MODEL EXAMPLE: LW1-10E1-0015		
LW1	10E1	0015
GUN MODEL (WIDER1)	NOZZLE SIZE (10 = 1.0MM)	HEAD ANGLE (0 = 0°)
	AIR CAP (E1)	PIPE LENGTH (15 = 150MM)

ORDER Information - LW1-10E1			
	Head Angle °	Pipe Length mm/in	Code
LW1-10E1-0015	0	150 / 5.9	7133B-W
LW1-10E1-0030		300 / 11.8	7144B-W
LW1-10E1-0050		500 / 19.7	7136B-W
LW1-10E1-4515	45	150 / 5.9	7141B-W
LW1-10E1-4530		300 / 11.8	7139B-W
LW1-10E1-4550		500 / 19.7	7140B-W
LW1-10E1-9015	90	150 / 5.9	7142B-W
LW1-10E1-9030		300 / 11.8	7143B-W
LW1-10E1-9050		500 / 19.7	7138B-W

ORDER Information - LW1-18N1			
	Head Angle °	Pipe Length mm/in	Code
LW1-18N1-0015	0	150 / 5.9	7147B-W
LW1-18N1-0030		300 / 11.8	7148B-W
LW1-18N1-0050		500 / 19.7	7149B-W
LW1-18N1-4515	45	150 / 5.9	7151B-W
LW1-18N1-4530		300 / 11.8	7152B-W
LW1-18N1-4550		500 / 19.7	7137B-W
LW1-18N1-9015	90	150 / 5.9	7134B-W
LW1-18N1-9030		300 / 11.8	7146B-W
LW1-18N1-9050		500 / 19.7	7145B-W

WIDER1 EXTENSION LW1-10E1 / LW-18N1



SPARE PARTS

Ref.	Code	Description	
1	93012230	AIR CAP ASSY	E1
1	93012270	AIR CAP ASSY	N1
2	93012450	FLUID NOZZLE 10	Nozzle 1.0mm
2	93012490	FLUID NOZZLE 18	Nozzle 1.8mm
3	93015200	AIR PIPE ASSY 0015	Angle 0°, Length 150mm
3	93015210	AIR PIPE ASSY 0030	Angle 0°, length 300mm
3	93015230	AIR PIPE ASSY 0050	Angle 0°, length 500mm
3	93015180	AIR PIPE ASSY 4515	Angle 45°, length 150mm
3	93015170	AIR PIPE ASSY 4530	Angle 45°, length 300mm
3	93015190	AIR PIPE ASSY 4550	Angle 45°, length 500mm
3	93015240	AIR PIPE ASSY 9015	Angle 90°, length 150mm
3	93015250	AIR PIPE ASSY 9030	Angle 90°, length 300mm
3	93015260	AIR PIPE ASSY 9050	Angle 90°, length 500mm
4	96638004	O RING	
5	93839610	FLUID PIPE ASSY	150mm
5	93835610	FLUID PIPE ASSY	300mm
5	93842610	FLUID PIPE ASSY	500mm
6	93765610	NEEDLE PACKING ASSY	

Ref.	Code	Description	
7	93625371	PLUG	
8	93001790	AIR VALVE SHAFT	
9	93001640	AIR VALVE SEAT ASSY	
10	93001690	AIR VALVE	
11	93001700	AIR VALVE SPRING	
12	93012630	FLUID ADJ GUIDE ASSY	
13	93015380	FLUID NEEDLE ASSY 15	150mm
13	93015370	FLUID NEEDLE ASSY 30	300mm
13	93015390	FLUID NEEDLE ASSY 50	500mm
14	93002820	NEEDLE SPRING ASSY	
15	93012650	FLUID ADJ KNOB	
16	93012660	AIR ADJ ASSY	
17	93013800	TRIGGER ASSY	
18	93013810	TRIGGER STUD ASSY	
19	93596610	FLUID NEEDLE GUIDE SPRING	only for 500mm needle
20		UNIVERSAL SPANNER	

WIDER1 Spray Gun Spare Parts - P. 43

COG2 | COG1 ADHESIVE



COG1

FEATURES

- Designed to apply adhesive, this gun provides a wide spray pattern for high viscosity fluids
- High fluid volume provides uniform surface coating
- Reduces leaks from the nozzle tip and offers high repeatability
- Available in manual pressure, manual siphon, and automatic models
- Ideal for application of adhesives, car interior materials, woodworking, heat insulation, and more

TECHNICAL

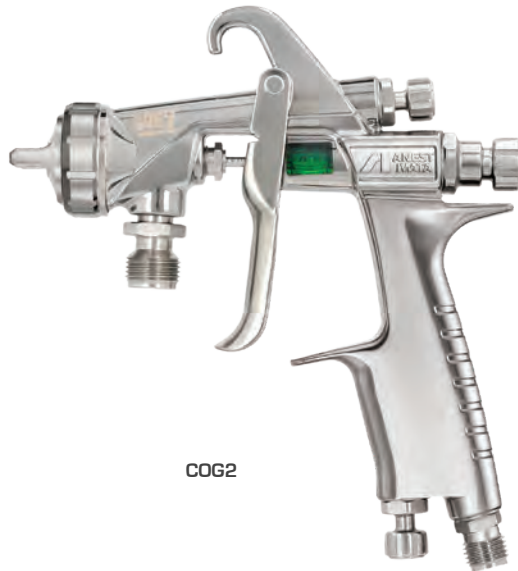


SIPHON

COG2-H18S	1.8	COG2	3.0/43	110	14.4	270/10.7
-----------	-----	------	--------	-----	------	----------

PRESSURE

COG1-H08	0.8	COG1	3.0/43	70	13.4	150/5.9
COG1-H12	1.2			90		170/6.7
COG2-H12	1.2	COG2		150	15.4	265/10.4
COG2-H18	1.8			250		290/11.4



COG2

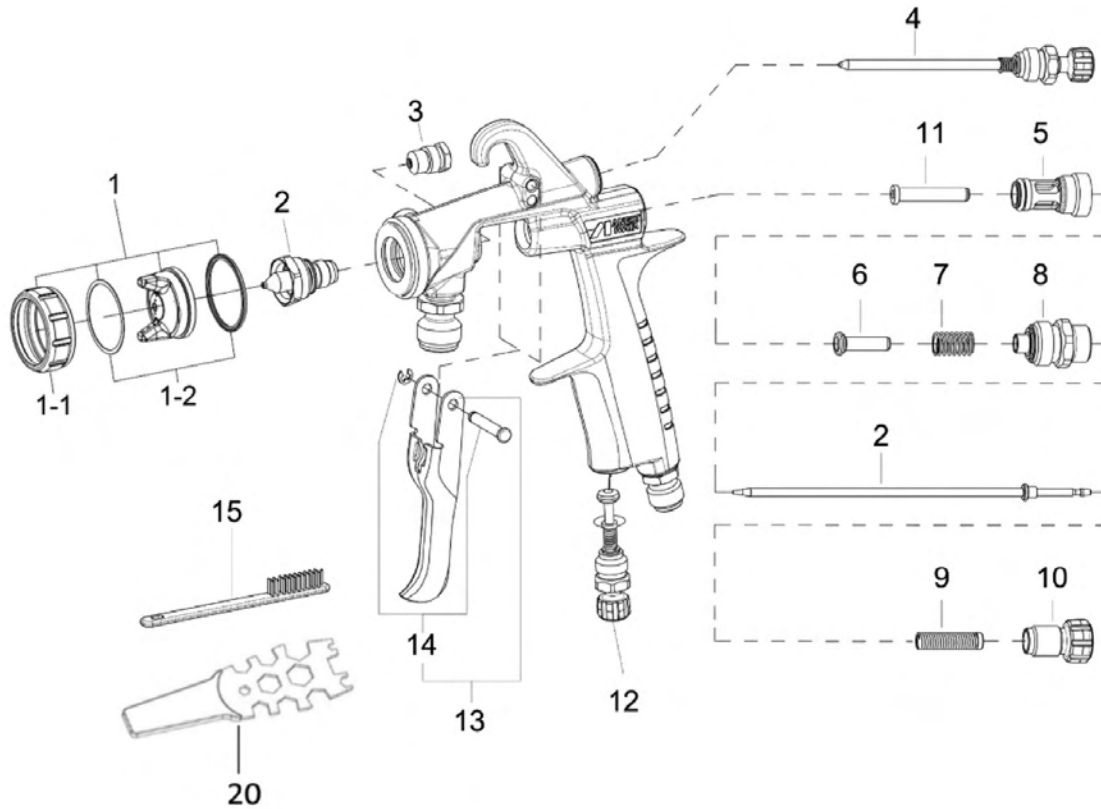
ORDER Information - COG2 Siphon & Pressure

	ø 1.2	ø 1.8
SIPHON SPRAY GUN COG2	-	7606
PRESSURE SPRAY GUN COG2	7600	7601

ORDER Information - COG1 Pressure

	ø 0.8	ø 1.2
PRESSURE SPRAY GUN COG1	7610	7611





SPARE PARTS

Ref.	Code	Description	COG1-H08	COG1-H12	COG2-H12	COG2-H18	COG2-H18S
1	93019310	AIR CAP ASSY COG1	X	X			
1	93020750	AIR CAP ASSY COG2			X	X	X
1-1	93012170	AIR CAP COVER W1	X	X			
1-1	93011560	AIR CAP COVER W2			X	X	X
1-2	93017680	AIR CAP PACKING W1	X	X			
1-2	93017700	AIR CAP PACKING W2			X	X	X
2	93019380	NOZZLE NEEDLE ASSY18	X	X			
2	93020770	NOZZLE NEEDLE ASSY18			X	X	X
3	93765610	NEEDLE PACKING SET	X	X			
3	93810620	NEEDLE PACKING ASSY			X	X	X
4	93012580	PATTERN ADJ ASSY	X	X			
4	93014400	PATTERN ADJ ASSY			X	X	X
5	93001640	AIR VALVE SEAT ASSY	X	X	X	X	X
6	93001690	AIR VALVE	X	X	X	X	X
7	93001700	AIR VALVE SPRING	X	X	X	X	X
8	93012630	FLUID ADJ GUIDE ASSY	X	X	X	X	X
9	93002820	NEEDLE SPRING ASSY	X	X	X	X	X
10	93012650	FLUID ADJ KNOB	X	X	X	X	X
11	93001790	AIR VALVE SHAFT	X	X	X	X	X
12	93012660	AIR ADJUST ASSY	X	X	X	X	X
13	93013800	TRIGGER ASSY	X	X			
13	93014500	TRIGGER ASSY			X	X	X
14	93013810	TRIGGER STUD ASSY	X	X	X	X	X
15	93019720	BRUSH	X	X	X	X	X
20	93014640	SPANNER	X	X	X	X	X

TOF-50 | TOF-50R



HANGER HOOK
Optional
Can be attached on either side of gun

FEATURES

- Available in two versions, flat or round pattern
- Air and fluid joints positioned at the bottom of grip for easy handling
- Fluid adjustment and pattern adjustment with locking mechanism
- Aluminum forged body with anodized surface
- Multi-use for various liquid applications

TECHNICAL



TOF-50 FLAT PATTERN

Model	Ø mm	No.	bar/psi	ml/min	CFM	mm
TOF-50-022P	0.2	E2	1.0/14.5	20	1.8	120
TOF-50-032P	0.3			50		140
TOF-50-042P	0.4			130		150
TOF-50-062P	0.6			180		
TOF-50-082P	0.8			220		
TOF-50-102P	1.0			280		
TOF-50-122P	1.2	350	180			
TOF-50-142P	1.4	G2	1.5/21.8	500	2.3	230

TOF-50R ROUND PATTERN

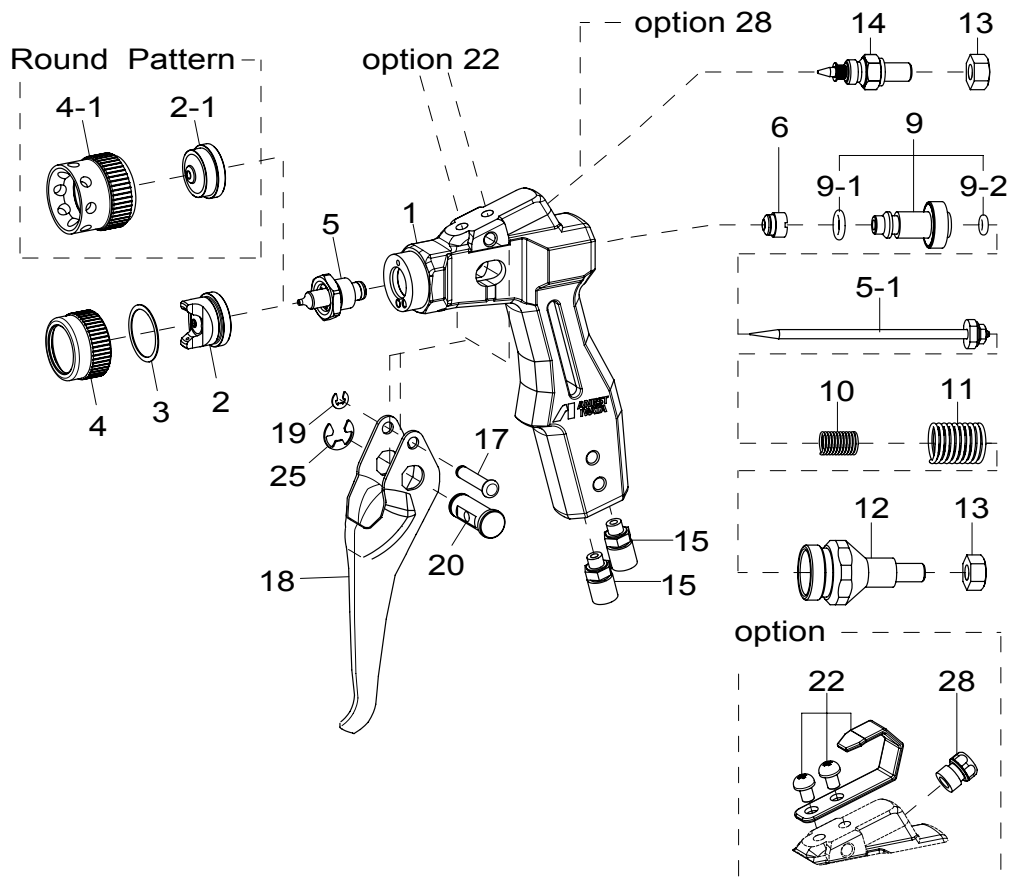
Model	Ø mm	No.	bar/psi	ml/min	CFM	mm
TOF-50R-022P	0.2	A2R	1.0/14.5	20	1.1	40
TOF-50R-032P	0.3			50		
TOF-50R-042P	0.4			130		
TOF-50R-062P	0.6	A2R	1.5/21.8	180	1.8	70
TOF-50R-082P	0.8			220		
TOF-50R-102P	1.0			280		
TOF-50R-122P	1.2			350		
TOF-50R-142P	1.4	G2R	3.5/43.5	500	2.6	80

Connection hose: • Outside ø 6 mm • Inside ø 4 mm

ORDER Information - TOF-50 Flat Pattern | TOF-50R Round Pattern

	ø 0.2	ø 0.3	ø 0.4	ø 0.6	ø 0.8	ø 1.0	ø 1.2	ø 1.4	
TOF-50 FLAT PATTERN	5060	5065	5070	5495	5080	5085	5090	5095	
TOF-50R ROUND PATTERN	5061	5066	5071	5076	5081	5086	5091	5096	
NOZZLE + NEEDLE SET	93030930	93031220	93030820	93030780	93030990	93031040	93031120	93031170	
AIR CAP SET - TOF-50								93557600	93021960
AIR CAP SET - TOF-50R								93030380	93021970





SPARE PARTS

Ref.	Code	Description
2		AIR CAP SET
2-1		AIR CAP SET (Round Pattern)
5 + 5-1		NOZZLE + NEEDLE SET
3	93558600	PACKING
4	93559600	COVER
4-1	93030370	CAP GUARD
6	93030411	NEEDLE PACKING SET
9	93030800	PISTON ASSY
9-1	96997086	O RING
9-2	96997085	O RING
10	93030630	FLUID NEEDLE SPRING
11	93030640	PISTON SPRING

Ref.	Code	Description
12	93030810	FLUID ADJ. ASSY
13	96361061	HEXAGON NUT
14	93030710	PATTERN ADJ. SET
15	9MS-5H-6	HOSE NIPPLE
17	93030660	TRIGGER STUD
18	93030651	TRIGGER
19	96612025	E STOPPER
20	93030591	PUSHING BAR
25	96612050	E STOPPER
22 Opt.	93018920	HOOK SET
28 Opt.	93027880	PLUG

RG-3L GRAVITY ROUND PATTERN

FEATURES

- Produces remarkable atomization with precise control of the spray pattern
- Ideal spray control when blending or shading
- Compact and lightweight
- Side mounted gravity cup allowing 360° rotation giving the operator options to spray at a wide variety of angles

TECHNICAL



RG-3L

	Ø mm	No.	bar/psi	m ² /min	CFM	mm
RG3L-1	0.4	1	2.5/36	15	1.1	25
RG3L-11						
RG3L-2	0.6	2		35	35	
RG3L-12						
RG3L-3	1.0	3	80	1.8	35	
RG3L-13						

• Air Nipple: G1/4" • Fluid Nipple: G1/4"



RG-3L
with PC61
Cup

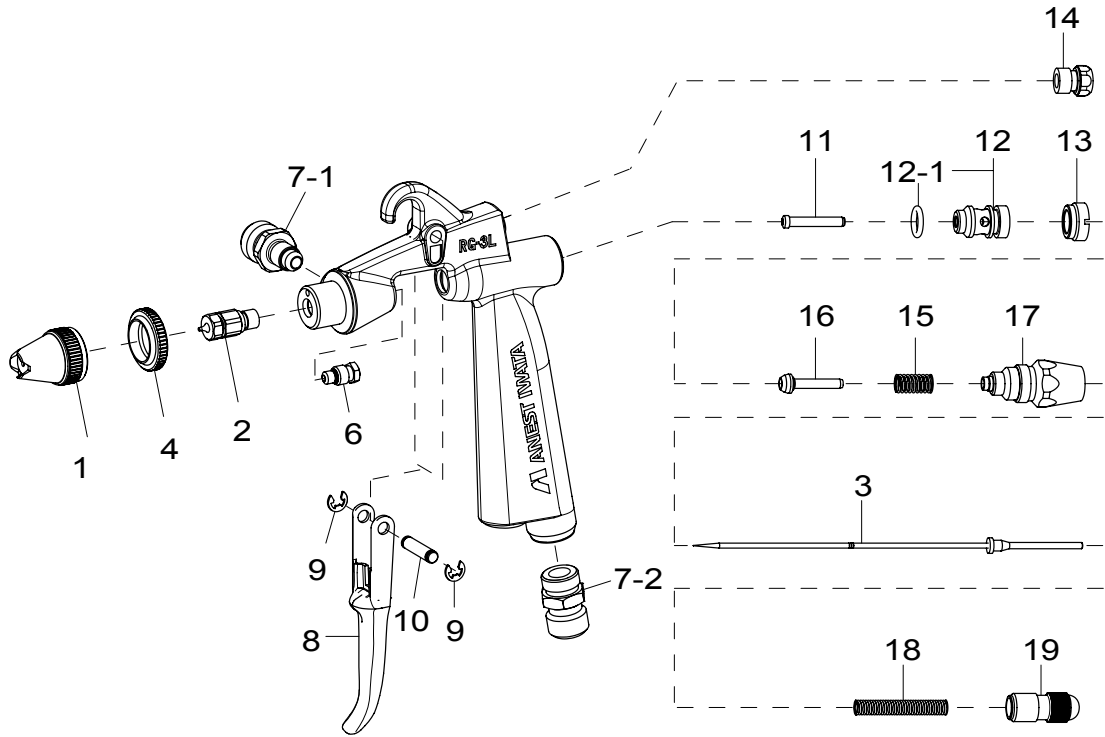
ORDER Information - RG-3L

	ø 0.4	ø 0.6	ø 1.0
SIDE GRAVITY SPRAY GUN W/ BLANKING SCREW	2805	2806	2807
SIDE GRAVITY SPRAY GUN + PC61 - 130ML	2862	2864	2866
SIDE GRAVITY SPRAY GUN + PC5 - 250ML	2861	2863	2865
FLUID NOZZLE	93042880	93041880	93040890
FLUID NEEDLE	93910880	93937880	93938880
AIR CAP SET	1 93022890	2 93025880	3 93026880

ORDER Information - RG-3L W/ AIR ADJUST SET

	ø 0.4	ø 0.6	ø 1.0
SIDE GRAVITY SPRAY GUN W/ AIR ADJUST SET	2808	2809	2810
SIDE GRAVITY SPRAY GUN + PC61 - 130ML	2868	2870	2872
SIDE GRAVITY SPRAY GUN + PC5 - 250ML	2867	2869	2871

RG-3L GRAVITY ROUND PATTERN



SPARE PARTS

Ref.	Code	Description	Qty.
1		AIR CAP SET RG-3L	
2		NOZZLE SET	
3		NEEDLE SET	
4	93028890	JAM NUT	
6	93940890	NEEDLE PACKING CARTRIDGE	
7-1	93005891	FLUID NIPPLE	1/4"
7-2	93660300	AIR NIPPLE	1/4"
8	93162890	TRIGGER	
9	93912030	E STOPPER	(2 pcs./1 pk.)
10	93167890	TRIGGER STUD	
11	93006880	AIR VALVE SHAFT	
12	93912880	AIR VALVE SEAT SET	
12-1	96638005	O RING	
13	93011880	AIR VALVE SEAT SCREW	
14	93027880	BLANK SCREW	1/2/3
14	93939880	AIR ADJUST SET	11/12/13
15	93012880	AIR VALVE SPRING	
16	93013880	AIR VALVE	
17	93936880	FLUID ADJ. GUIDE SET	
18	93015880	FLUID NEEDLE SPRING	
19	93017880	FLUID ADJ. KNOB	

ACCESSORIES

Ref.	Code	Description
	6022	AIRBRUSH BOTTLE ADAPTER KIT WITH THREE 2 OZ BOTTLES
	6022-1	AIRBRUSH BOTTLE ADAPTER ONLY
	2950	MK5 MAINTENANCE KIT
	2860	REPAIR SERVICE KIT (INCLUDES: 6, 9, 12-1)

KATANA PLUS HVLP SPRAY GUN



FEATURES

- HVLP spray gun with low operating air pressure
- Entry level spray gun that sprays water-based, solvent-based and oil-based coatings
- Includes a comprehensive, easy-to-follow spray guide plus accessories
- Works with an 1 HP or larger air compressor
- Gives the first-time user the tools and confidence to successfully tackle a variety of projects
- No replacement parts available

TECHNICAL	Ø mm	No.	bar/psi	ml/min	CFM	mm/in
KAT9000	1.3	KTN 13 HVLP	1.4/20	155	8.48	140/5.5

Air Nipple: G1/4 (NPS1/4) • Fluid Nipple: G1/4 (NPS1/4)



ORDER Information

KATANA PLUS HVLP SPRAY GUN

Katana Plus 1.3 HVLP Spray Gun, 600 ml Plastic Gravity Cup, Spray Guide, 5 Paint Strainers, Cleaning Brush, Thread Sealant Tape, Viscosity Cup and Gun Wrench

ø 1.3

KAT9000



FAST FLOW SYSTEM SEALED SPRAY CUPS



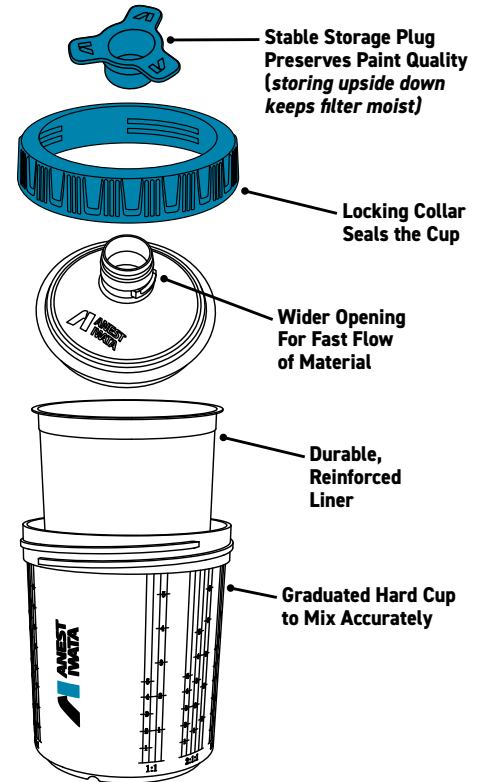
Measure, mix, filter, spray and store all in one container. There's no need for multiple cups or messy clean-up.

The ANEST IWATA Fast Flow System Sealed Spray Cup gives you an enhanced painting experience. Engineered for effortless use and material savings, the FFS Cup offers quick, easy paint preparation and clean-up, saving you money, time and materials.

The FFS Spray Cup features a wider lid opening, allowing for a smooth fast flow of material.

The durable, reinforced liner minimizes the risk of puncturing while mixing and ensures a tight fit to prevent leaking while spraying.

The stable storage plug allows you to invert your cup when temporarily storing your paint to ensure the filter remains moist, preserving the quality of your paint and minimizing waste.



ORDER Information

	400ml/13oz, 125µ	650ml/22oz, 125µ	650ml/22oz, 200µ	850ml/29oz, 125µ
ANEST IWATA FFS SEALED SPRAY CUP KIT 50 Lids with Filters, 50 Liners, 1 Hard Cup, 20 Storage Plugs, 1 Locking Collar	27501	27502	27503	27504

FFS ADAPTERS FOR ANEST IWATA GUNS

TYPES	LS-400 Series 2 Base	WS-400 Series 2 Base	WS-400 Series 2 Clear	LS-400 SUPERNOVA	WS-400 SUPERNOVA	W-400	LPH-400	LPH-300	LPH-80	Air Guns AZ3HTE-S IMPACT	Air Guns AZ3 HV-2	Air Guns AZ3HTE-2	Katana Plus
I-10 27520	•	•	•	•	•			•		•	•	•	•
I-12 27530						•	•						
I-13 27540									•				

ALUMINUM GRAVITY CUPS			LS-400 Series 2 Base	WS-400 Series 2 Base	WS-400 Series 2 Clear	W-400	W-400-LV	W-400-LV-WBX	LPH-400	LPH-300-LV	LPH-80
MODELS											
1000ML		PCG10D2									
		6038D	•	•	•						
		G1/4" Stainless Steel Fluid Joint									
1000ML		PCG10EM									
		6034E				•	•	•	•		
		M16x1.5 Female Stainless Steel Fluid Joint									
700ML		PCG7D2									
		6032D	•	•	•					•	
		G1/4" Stainless Steel Fluid Joint									
700ML		PCG7EM									
		6033E				•	•	•	•		
		M16x1.5 Female Stainless Steel Fluid Joint									
400ML		PCG4D2									
		6031D	•	•	•					•	
		G1/4" Stainless Steel									
150ML		PCG2D-1									
		6036D	•*	•*	•*	•**	•**	•**	•**	•*	•
		G1/8" Stainless Steel									
70ML		PCG1D-1									
		6050	•*	•*	•*	•**	•**	•**	•**	•*	•
		G1/8" Stainless Steel									

*Requires Adaptor Part #6051

**Requires Adaptor Part #6052

CODE	SPARE PARTS for ALUMINUM GRAVITY CUPS	MODELS
94008321	LID	PCG10/7/4/2
94007321	LID	PCG2

AIR REGULATORS

AK-1R2 Air Regulator Part #8131B

- Self-purging for consistent pressure and optimal performance
- Solvent resistant seals and o-rings
- Adjust range 0-60 psi



AK-1B2 Air Regulator Part # 8130B

- Compact size
- Quality glass gauge
- Adjust range 0-100 psi



SIDE GRAVITY CUPS			W-101	W-200	W-77	W-71	LPH-101	LPH-50	RG3L	WIDER1	WIDER2	WIDER1L
MODELS												
250ML		PC 5										
		6009	•			•	•	•	•	•		•
		G1/4" Stainless Steel										
220ML		PC 51										
		6028	•			•	•	•	•			•
		G1/4" Stainless Steel										
130ML		PC 61										
		6010	•			•	•	•	•			•
		G1/4" Stainless Steel										
400ML		PC 4										
		6007		•	•							•
		G3/8" Stainless Steel										
400ML		PC 4S										
		6008	•			•	•	•	•	•		•
		G1/4" Stainless Steel										
600ML		PCG6P2										
		6011	•			•	•					
		G1/4" Plastic										
600ML		PCG6P3										
		6012		•	•							•
		G3/8" Plastic										
CODE	SPARE PARTS for SIDE GRAVITY CUPS		MODELS									
94001080	LID SET		PC 4 - PC 4S									
94001100	LID SET		PC 5									
94001191	LID SET		PC 61									

PRESSURE CONTAINERS			W-2003	LPH-2003
MODELS				
1000ML		PC 19B		
		6035	•	•
		G3/8"		
CODE	SPARE PARTS		MODEL	
94903170	LID PACKING SET (2 pcs./1pk.)		PC 19B	
94902161	SUCTION TUBE		PC 19B	

CUPS & CONTAINERS



FOR MANUAL SPRAY GUNS

PLASTIC GRAVITY CUPS			LS-400 Series 2 Base	WS-400 Series 2 Base	WS-400 Series 2 Clear	LS-400	WS-400	W-400	W-400-LV	W-400-LV-WBX	LPH-400	LPH-300	LPH-80	
MODELS														
70ML		WOCUPAZ5IN												
		9169											•	
		G1/8" Fluid Joint												
250ML		VPE250												
		9201											•	
		G1/8" Fluid Joint												
600ML		PCG600P-2												
		6039	•	•	•	•	•					•		
		1/4" Fluid Joint												
		PCG6PM												
		6000							•	•	•	•		
		M16 X 1.5MM Fluid Joint												

CODE	SPARE PARTS for PLASTIC GRAVITY CUPS	MODELS
94002321	LID	PCG6PM/2/3
94003320	VENT KNOB	PCG6PM/2/23



SIPHON CONTAINERS			W-101	W-200	W-77	W-71	LPH-101	WIDER1	WIDER2	WIDER1L
MODELS										
1000ML		PC 1								
		6001		●	●					
		G3/8"								
1000ML		PC 1S								
		6004	●			●	●			●
		G1/4"								
600ML		PC 2								
		6005	●			●	●			●
		G1/4"								
400ML		PC 3								
		6006	●			●	●			●
		G1/4"								
700ML		PCL 7B 2								
		6019	●			●	●	●		●
		G1/4"								
700ML		PCL 7B 3								
		6021		●	●				●	
		G3/8"								
1000ML		PCL 10B 2								
		6015	●			●	●	●		●
		G1/4"								
1000ML		PCL 10B 3								
		6017		●	●				●	
		G3/8"								
CODE	SPARE PARTS for SIPHON CONTAINER		MODELS							
94901000	PACKING SET (2 pcs./1pk.)		PC 1- PC 1S - PC 2							
94008300	LID PACKING SET (2 pcs./1pk.)		PCL 7B -PCL 10B							
04904302	NON DRIP SET (2 pcs./1pk.)		PCL 7B -PCL 10B							

FOR LOW PRESSURE APPLICATIONS

ORDER Information - EAHU6 (6mm) URETHANE GROUNDED AIR HOSE							
Code	Length (ft.)	Diameter (mm)	Fitting Size (in)	Fittings Included	Compatability	Material	Note
8002	1	6	1/4	-	Can be used with all pressure fed guns, pumps, and pots EXCEPT WIDER1/WIDER1L	Urethane	For one 18' hose, order 8002 Qty. 18
8000	6			PJU02F			-
9000	6			NPT			-
8091-12	12			PJU02F			-
8091	25			PJU02F			-
8091-50	50			PJU02F			-
9091	25			NPT			-
8001	328			-			Full Roll

ORDER Information - EAHU8 (8.7mm) URETHANE GROUNDED AIR HOSE							
Code	Length (ft.)	Diameter (mm)	Fitting Size (in)	Fittings Included	Compatability	Material	Note
8114	1	8.7	1/4	-	Can be used with all pressure fed guns, pumps, and pots EXCEPT WIDER1/WIDER1L	Urethane	For one 18' hose, order 8114 Qty. 18
8220	6			W/AJU032F			-
8221	25			W/AJU032F			-
8116	328			-			Full Roll

ORDER Information - PHU6 (6mm) URETHANE FLUID HOSE							
Code	Length (ft.)	Diameter (mm)	Fitting Size (in)	Fittings Included	Compatability	Material	Note
8009	1	6	3/8	-	Can be used with all pressure fed guns, pumps, and pots EXCEPT WIDER1/WIDER1L	Urethane	For one 18' hose, order 8002 Qty. 18
8007	6			W/PJU023F			-
9007	6			NPT			-
8048	25			W/PJU023F			-
9048	25			NPT			-
8008	328			-			Full Roll

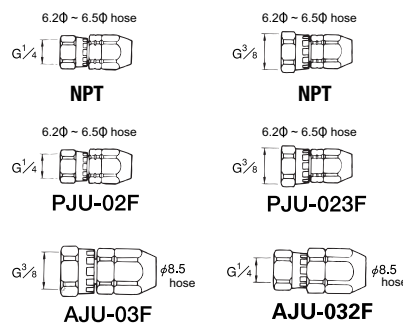


ORDER Information - PHU8 (8.7mm) URETHANE FLUID HOSE							
Code	Length (ft.)	Diameter (mm)	Fitting Size (in)	Fittings Included	Compatibility	Material	Note
8207	1	8.7	3/8	-	Can be used with all pressure fed guns, pumps, and pots EXCEPT WIDER1/WIDER1L	Urethane	For one 18' hose, order 8002 Qty. 18
8009-12	12			-			-
8048-50	50			-			-
8206	328			-			Full Roll

ORDER Information - PHN6 (6mm) NYLON FLUID HOSE							
Code	Length (ft.)	Diameter (mm)	Fitting Size (in)	Fittings Included	Compatibility	Material	Note
8212	1	6	3/8	-	Can be used with all pressure fed guns, pumps, and pots EXCEPT WIDER1/WIDER1L	Nylon	For one 18' hose, order 8002 Qty. 18
8006	6			PJU023F			-
9010	6			NPT			-
8213-12	12			PJU023F			-
8213-50	50			PJU023F			-
8213	25			PJU023F			-
9215	25			NPT			-
8211	328	-	Full Roll				
8210	6	6	3/8 and 1/4	PJU023F	WIDER1/WIDER1L ONLY	Nylon	-
8213B	25			PJU02F			-

ORDER Information - PHN8 (8.7mm) NYLON FLUID HOSE							
Code	Length (ft.)	Diameter (mm)	Fitting Size (in)	Fittings Included	Compatibility	Material	Note
8112	1	8.7	3/8	-	Can be used with all pressure fed guns, pumps, and pots EXCEPT WIDER1/WIDER1L	Nylon	For one 18' hose, order 8002 Qty. 18
8230	6			W/AJU03F			-
8231	25			W/AJU03F			-
8111	328			-			Full Roll

ORDER Information - HOSE FITTINGS					
Code	Diameter (mm)	Fitting Size (in)	Compatibility	Name	Note
8023	6	3/8	6mm Hoses	PJU023F	Two fittings per hose
8024	6	1/4	6mm Hoses	PJU02F	
9023	6	3/8	6mm Hoses	NPT	
9024	6	1/4	6mm Hoses	NPT	
8040	8.7	1/4	8.7mm Hoses	AJU032F	
8045	8.7	3/8	8.7mm Hoses	AJU03F	



MSGS-M200 AUTOMATIC MULTI SPRAY GUN

FEATURES

- Superior Atomization to achieve high gloss levels and maximize transfer efficiency
- Tool-less access for maintenance
- Seamlessly integrates with popular fixtures
- Versatile air cap can accommodate multiple tip styles
- Requires lower atomizing air pressures reducing overspray and saving utilities

TECHNICAL

MSGS-M200



250/3626



793

Air Nipple: G1/4" • Fluid Nipple: G1/4"



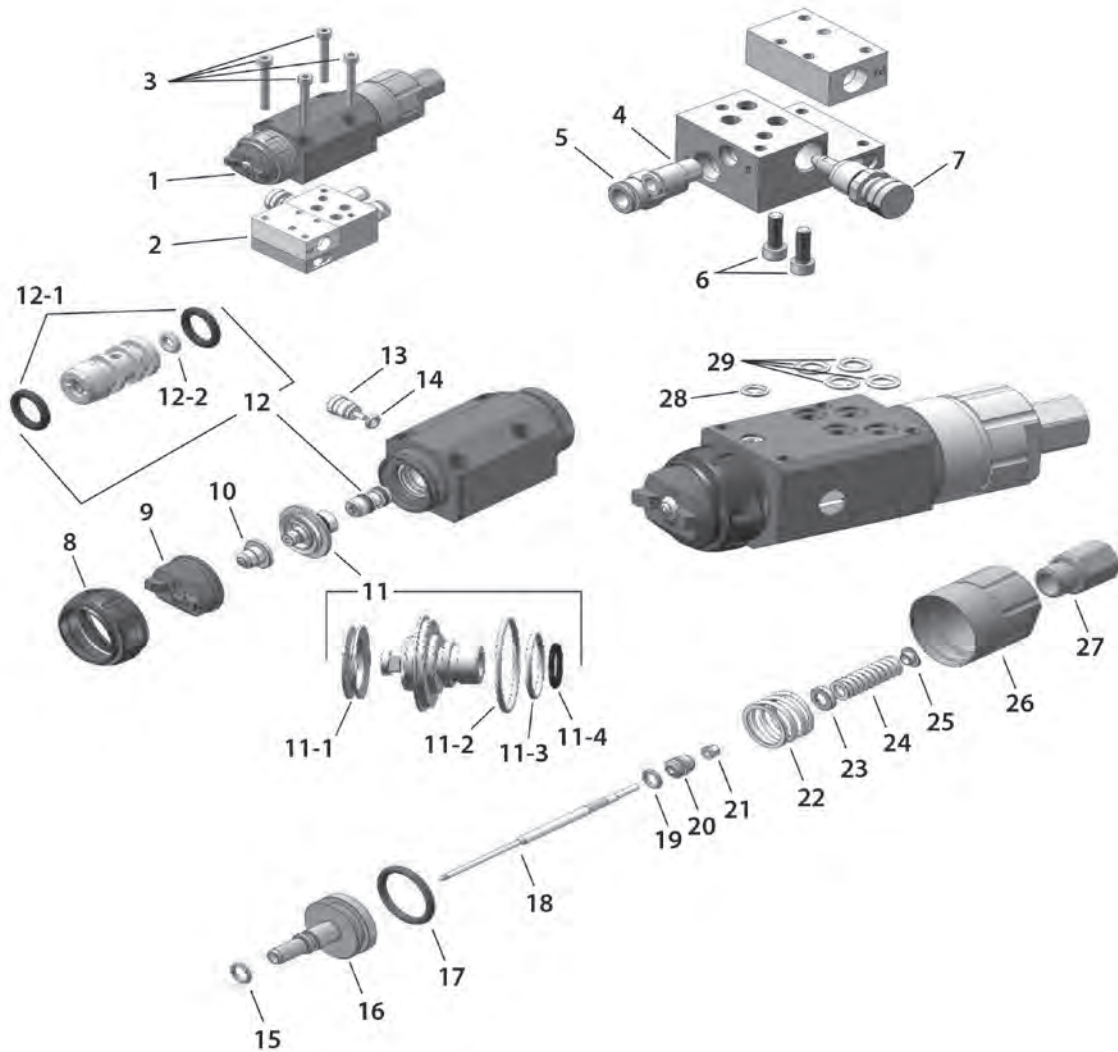
ORDER Information

MSGS-M200

AUTOMATIC SPRAY GUN

7503





SPARE PARTS

Ref.	Code	Description	Notes
1	93019860	MULTI AUTOMATIC SPRAY GUN ASSY	
2	93020350	MANIFOLD UNIT	
3	96365051	HEX HOLE BOLT	M5xL40
4	96801750	HEX SOCKET HALF UNION	R1/8 \varnothing 6
5	96801185	HALF UNION	R1/4 \varnothing 8
6	96365050	HEX HOLE BOLT	M5xL16
7	93020400	AIR ADJ. ASSY	
8	93004490	AIR CAP COVER	
9	93004320	AIR CAP	
10		FLUID TIP	All sizes in the Tip Table page 114
11	93019960	NOZZLE HOLDER ASSY	
11-1	W3COM2082	V PACKING	
11-2	W3COM2084	O RING	
11-3	96639518	ORING	TOS18
11-4	96995948	ORING	
12	93019991	NEEDLE PACKING UNIT	

Ref.	Code	Description	Notes
12-1	96997064	O RING	P7
12-2	96997016	O RING	SM-3
13	93020201	LEAKAGE DETECTOR	
14	96639004	O RING	TOP4
15	96630008	O RING	P8
16	93020280	PISTON	
17	96630026	O RING	P26
18	93020230	NEEDLE VALVE BAR	
19	96997064	O RING	P7
20	93020220	RETAINER	
21	93020250	NUT	
22	93020330	PISTON SPRING	
23	93022820	SPRING HOLDER	
24	93020340	SPRING	
25	93022840	SPRING GUIDE	
26	93020301	CYLINDER	
27	93020320	KNOB	
28	96639505	O RING	TOS4
29	96639007	O RING	TOP7

WIDER1A | WIDER2A



WIDER1A



WIDER2A

FEATURES

- Tool-less access to the piston assembly
- More linear pattern adjustment capabilities
- Redesigned fluid and air inlet for simpler connection
- Excellent atomization for flawless finishes
- Stainless steel fluid passages are suitable for waterborne and solvent based materials
- Various nozzle options are available to achieve desired spray pattern
- Improved adjustment knobs operate with a smoother action
- Air cap can be quickly detached in half the time for cleaning and maintenance
- Air valve seat doesn't need a special adjustment tool, so you can make changes on the spot

TECHNICAL



WIDER1A						
Model	Ø mm	No.	bar/psi	m³/min	CFM	mm/in
WIDER1A-08E2P	0.8	E2P	2.9/43	150	9.5	190/7.5
WIDER1A-10E2P	1.0	E2P		200	9.5	220/8.7
WIDER1A-10E1	1.0	E1		100	3.2	140/5.5
WIDER1A-13H2	1.3	H2		250	9.2	230/9.1
WIDER1A-15H2	1.5	H2		270	9.2	255/10.0
WIDER1A-05R	0.5	05R		20	1.4	35/1.4
WIDER2A						
Model	Ø mm	No.	bar/psi	m³/min	CFM	mm/in
WIDER2A-12G2P	1.2	G2P	2.9/43	500	18.7	400/15.7
WIDER2A-15K2	1.5	K2		270	11.7	340/13.4
WIDER2A-20R2	2.0	R2		400	12.7	320/12.6
WIDER2A-25W1	2.5	W1		500	12.7	330/13.0

Air Nipple (Cylinder) 6mm Tube
 Air Nipple (Cap) 8mm Tube
 Fluid Nipple: WIDER1A G1/4" / WIDER2A G3/8"

Easy to Maintain

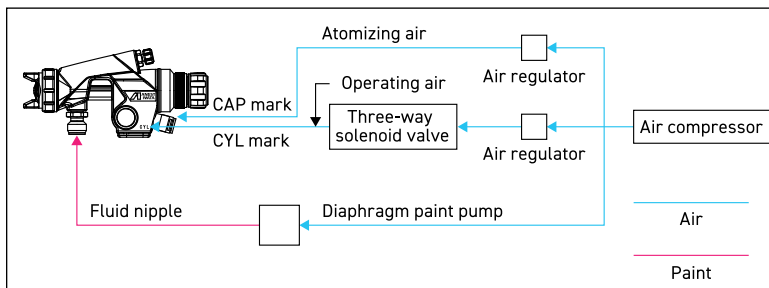


ORDER Information - WIDER1A

WIDER1A	Ø 0.8	Ø 1.0	Ø 1.0	Ø 1.3	Ø 1.5	Ø 0.5
AUTOMATIC SPRAY GUN	5606W	5607W	5438W	5440W	5441W	5439W
NOZZLE + NEEDLE SET	93013530	93013560	93013560	93013390	93019510	93019470
AIR CAP SET	E2P 93012200	E2P 93012200	E1 93012230	H2 93012150	H2 93012150	05R 93019450

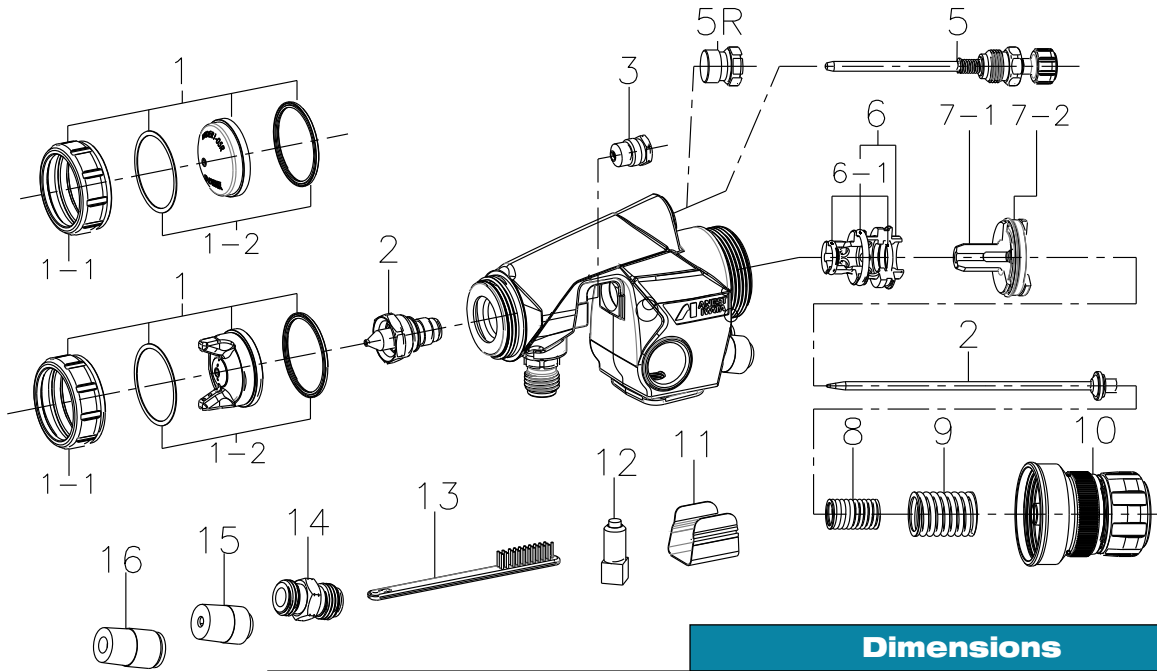
ORDER Information - WIDER2A

WIDER2A	Ø 1.2	Ø 1.5	Ø 2.0	Ø 2.5
AUTOMATIC SPRAY GUN	5605W	5610W	5615W	5620W
NOZZLE + NEEDLE SET	93013570	93013630	93013640	93013670
AIR CAP SET	G2P 93011670	K2 93011710	R2 93011790	W1 93011820

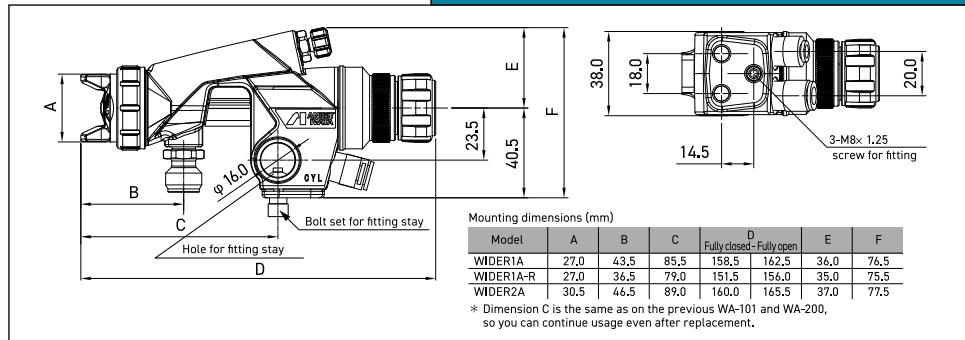


System Diagram

The WIDER1A and WIDER2A, which use built-in air valves, are able to spray if one three-way solenoid valve is available. You can leave the atomizing air connected, so you can spray without having to set up any complicated system. Pattern adjustment is done by manually turning the pattern adjustment knob, so remote operation is not possible.



Dimensions



SPARE PARTS

Ref.	Description	NOTES	WIDER1A	WIDER2A
1	AIR CAP SET			
1-1	AIR CAP COVER		93012170	93017680
1-2	AIR CAP PACKING		93017680	93017700
2	NOZZLE + NEEDLE SET			
3	NEEDLE PACKING SET		93810620	93810620
5	PATTERN ADJ. ASSEMBLY		93013470	93013600
5R	PLUG		93625371	-
6	AIR VALVE SEAT ASSEMBLY		93013700	93013700
6-1	O RING SET		93849620	93849620
7-1	PISTON		93511580	93511580
7-2	PISTON PACKING	2PCS/1PK	93903441	93903441
8	NEEDLE SPRING		93514580	93514580
9	PISTON SPRING		93513580	93513580
10	FLUID ADJ. ASSEMBLY		93013710	93013710
11	DUST COVER		93013510	93013510
12	BOLT SET		93811580	93811580
13	BRUSH		96990600	96990600
13	BRUSH		96990600.T	96990600.T
14	AIR NIPPLE		93018360	93018360
15	HALF UNION	6mm x R1/4 (M)	96802000	96802000
16	HALF UNION	8mm x R1/4 (M)	96802001	96802001

WIDER2AL | WIDER1AL



WIDER2AL



WIDER1AL

TECHNICAL						
WIDER2AL						
WIDER2AL-12G2	1.2	G2	2.0/29.0	500	16.6	300
WIDER1AL						
WIDER1AL-10E1	1.0	E1	2.6/37.7	150	14.5	240

Air Nipple: G1/4" • Fluid Nipple: G1/4"

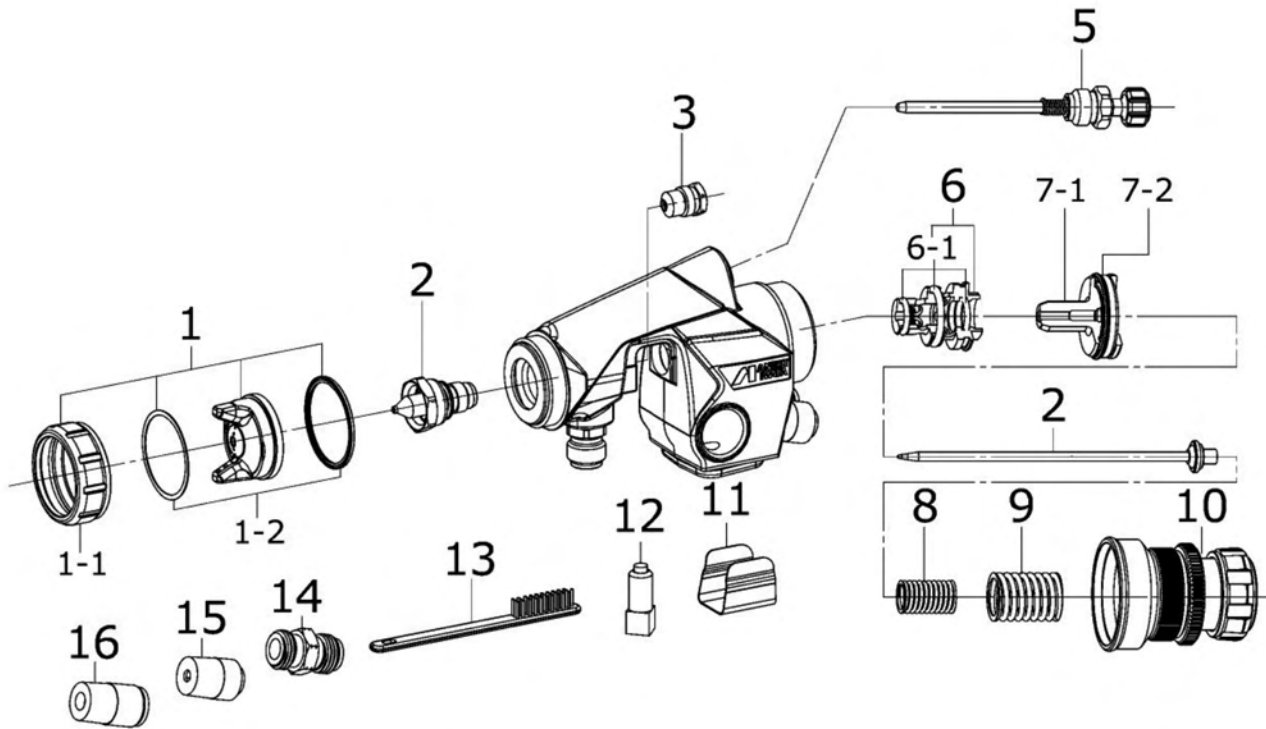
ORDER Information - WIDER2AL

	ø 1.2
WIDER2AL-12G2	5308-W

ORDER Information - WIDER1AL

	ø 1.0
WIDER1AL-10E1	5306B-W





SPARE PARTS

Ref.	Code	Description	WIDER2AL	WIDER1AL
1	93014150	AIR CAP ASSY	X	
1	93023810	AIR CAP ASSY E1		X
1-1	93011560	AIR CAP COVER W2	X	
1-1	93012170	AIR CAP COVER W1		X
1-2	93017700	AIR CAP PACKING W2	X	
1-2	93017680	AIR CAP PACKING W1		X
2	93024010	NOZZLE NEEDLE ASSY12 (Fluid Nozzle Diameter 1.2)	X	
2	93023850	NOZZLE NEEDLE ASSY10 (Fluid Nozzle Diameter 1.0)		X
3	93810620	NEEDLE PACKING ASSY	X	X
5	93013600	PATTERN ADJ. ASSY	X	
5	93013470	PATTERN ADJ. ASSY		X
6	93013700	AIR VALVE SEAT ASSY	X	X
6-1	93849620	O RING SET	X	X
7-1	93511580	PISTON	X	X
7-2	93903441	PISTON PACKING (2PCS/1PK)	X	X
8	93514580	NEEDLE SPRING	X	X
9	93513580	PISTON SPRING	X	X
10	93013711	FLUID ADJ. ASSY	X	X
11	93013510	DUST COVER	X	X
12	93811580	BOLT SET	X	X
13	93019720	BRUSH	X	X
14	93018360	AIR NIPPLE	X	X
15	96802000	HALF UNION (6mm x R1/4 (M))	X	X
16	96802001	HALF UNION (8mm x R1/4 (M))	X	X
0	93020640	FLUID ADJ. KNOB (OPTION)	X	X
0	93014320	INNER PRESSURE GAUGE	X	
0	93023930	TIP CAP VERIFICATION KIT		X

AS-80 SUPER COMPACT



AS-80-011

The AS-80 is a compact automatic spray gun with a rugged high-quality construction that is available in Stainless Steel or Aluminum. Measuring in at only 2.8 inches it is extremely easy to maintain. The AS-80 features fine atomization that can be set up with a standard fan pattern which produces high-quality flat finishes or it can be adjusted to a directional pattern that allows operation in small, tight, hard-to-reach areas. All of these traits make the AS-80 one of the most unique spray guns of its kind.

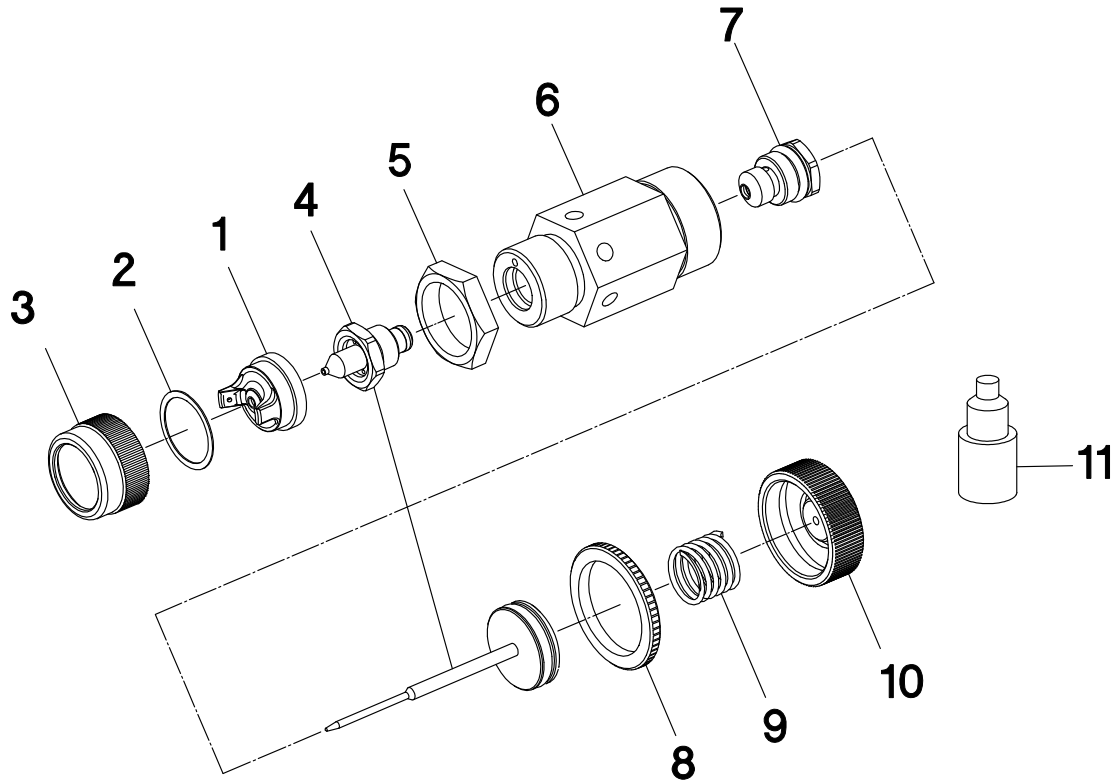
- Super compact
- Fine atomization
- Narrow spray pattern
- Low maintenance

TECHNICAL	Ø mm	No.	bar/psi	mL/min	CFM	mm
AS-80-011	1.0	E2	0.9/13	55	1.76	100
AS-80-013						



ORDER Information - AS-80-011 (Aluminum)	
AS-80-011	ø 1.0
AUTOMATIC SPRAY GUN	5426
NOZZLE + NEEDLE SET	9AS-80-011-05
AIR CAP SET -	93557600

ORDER Information - AS-80-013 (Stainless Steel)	
AS-80-013	ø 1.0
AUTOMATIC SPRAY GUN	5427
NOZZLE + NEEDLE SET	9AS-80-011-05
AIR CAP SET -	93557600



SPARE PARTS

Ref.	Code	Description
1	93557600	AIR CAP
2	93558600	PACKING
3	93559601	COVER
4	9AS-80-011-101	NOZZLE PISTON SET
5	9AS-80-011-04	NUT
6	9AS-80-011-01	BODY AS-80-011
6	9AS-80-013-01	BODY AS-80-013
7	93847580	NEEDLE PACKING SET
8	93024980	JAM NUT
9	93223980	SPRING
10	9AS-80-011-03	FLUID ADJ. KNOB
11	9AS-80-011-05	PLUG

WRA-101 | WRA-200 | LRA-200



WRA-101



WRA-200



LRA-200

TECHNICAL						
	WRA-101					
WRA-101-082P	0.8	E2P	CAP 2.7/39 FAN 2.1/31	50	9.5	190
WRA-200						
WRA-200-122P	1.2	G2P	CAP 2.7/39 FAN 2.3/34	500	18.7	400
LRA-200						
LRA-200-082P	0.8	G2	CAP 1.6/23 FAN 1.4/20	400	17.7	250
LRA-200-122P	1.2			500		300

WRA-101 Air Nipple: Rc 1/8" • Fluid Nipple: Rc 1/8"
WRA/LRA-200 Air Nipple: Rc 1/8" • Fluid Nipple: Rc 1/8"

ORDER Information - WRA-101

WRA-101	ø 0.8	Ref.
AUTOMATIC SPRAY GUN	5630B	-
NOZZLE + NEEDLE SET	93831621	2
AIR CAP SET - E2P	93704610	1

ORDER Information - WRA-200

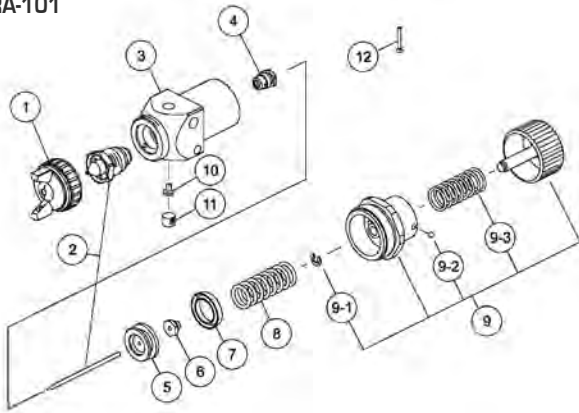
WRA-200	ø 1.2	Ref.
AUTOMATIC SPRAY GUN	5635	-
NOZZLE + NEEDLE SET	93834620	2
AIR CAP SET - G2P	93818611	1

ORDER Information - LRA-200

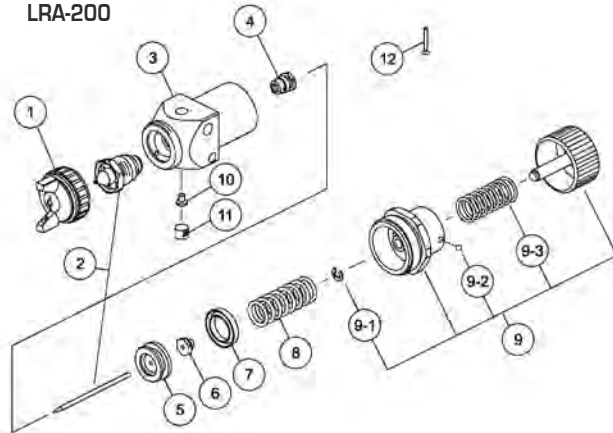
LRA-200	ø 0.8	ø 1.2	Ref.
AUTOMATIC SPRAY GUN LRA-200-082P	5636	-	-
AUTOMATIC SPRAY GUN LRA-200-122P	-	5307	-
NOZZLE + NEEDLE SET	93857620	-	2
NOZZLE + NEEDLE SET	-	93835620	2
AIR CAP SET - G2	93822601		1



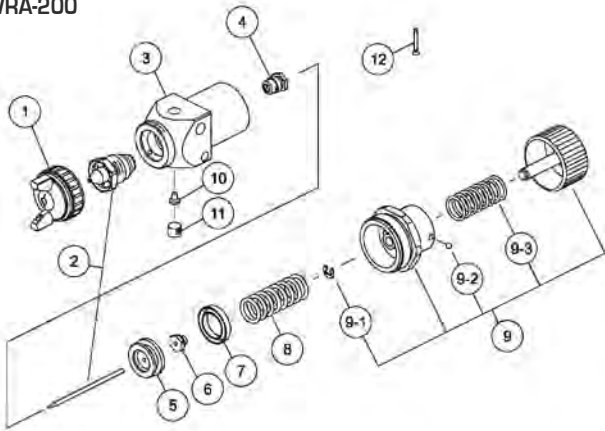
WRA-101



LRA-200



WRA-200



SPARE PARTS

Ref.	Code	Description	WRA-101	WRA-200	LRA-200
1	93704610	AIR CAP SET E2P	X		
1	93818611	AIR CAP SET G2P		X	
1	93822601	AIR CAP SET G2			X
2		NOZZLE/NEEDLE SET	X	X	X
4	93847580	NEEDLE PACKING SET	X	X	X
5	93629570	PISTON	X	X	X
6	93455230	NUT	X	X	X
7	93903440	PISTON PACKING (2 pcs./1 pk.)	X	X	X
8	94003880	PISTON SPRING	X	X	X
9	93840581	FLUID ADJUSTMENT SET	X		
9	93840581	FLUID ADJUSTMENT SET		X	X
9-1	93912030	STOPPER (2 pcs./1 pk.)	X	X	X
9-2	93914730	BALL (2 pcs./1 pk.)	X	X	X
9-3	93104420	FLUID ADJ. SPRING	X	X	X
10	93526620	PLUG	X	X	X
11	96990440	PLUG WITH HEXAGON HOLE	X	X	X
12	96172529	SCREW	X	X	X

WA-M220 | WA-M220-L WITHOUT MANIFOLD



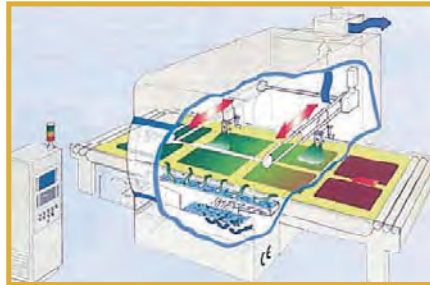
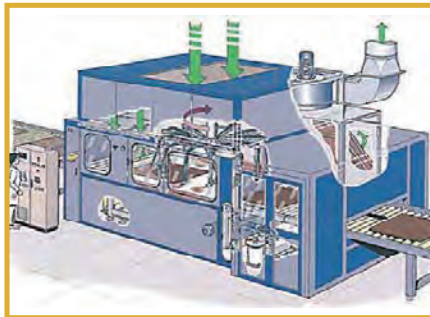
FEATURES

HIGH ATOMIZATION

- Proven split nozzle technology
- High transfer efficiency with ANEST IWATA air cap technology
- Able to handle the most difficult water base & solvent borne fluid materials with minimum overspray

EASY TO USE

- No need to use solenoid valve: atomization & fan air close together with air piston
- Two step detachment technique: remarkable reduction of production downtime
- Quick air cap disassembly
- Index (90° - 180°) air cap
- 16 position fluid needle adjustment



TECHNICAL



WA-M220 STANDARD SIZED ATOMIZER (WITHOUT MANIFOLD)

Model	Ø mm	No.	bar/psi	ml/min	CFM	mm
WA-M220	0.4 - 0.6 - 0.8 - 1.0	LV2	2.4/34.8	100	12.7	155
WA-M220	1.5 - 1.6	G2P		500	18.7	400

WA-M220WB WATER BASED VERSION (WITHOUT MANIFOLD)

Model	Ø mm	No.	bar/psi	ml/min	CFM	mm
WA-M220WB-081	0.8	WB1	1.5/21.8	200	12	300
WA-M220WB-101	1.0			250		320
WA-M220WB-121	1.2			250		330
WA-M220WB-141	1.4			300		340
WA-M220WB-161	1.6			300		350

WA-M220-L SMALL SIZED ATOMIZER (WITHOUT MANIFOLD)

Model	Ø mm	No.	bar/psi	ml/min	CFM	mm
WA-M220-L044	0.4	E4	0.8/11.6	10	2.1	55
WA-M220-L064	0.6			30		80
WA-M220-L084	0.8			45		100
WA-M220-L104	1.0			60		130
WA-M220-L124	1.2			75		140

Air & Fluid Manifold Connection: G 1/8"

ORDER Information - WA-M220 Series WITHOUT MANIFOLD

WA-M220	Ø 0.4	Ø 0.6	Ø 0.8	Ø 1.0	Ø 1.5	Ø 1.6	Ref.
WITHOUT MANIFOLD	5160	5161	5482	5162	5163	5164	-
NOZZLE + NEEDLE SET	93006850	93006860	93006660	93006670	93006680	93006870	2
AIR CAP SET (LV2)	93006500					-	1
AIR CAP SET (G2P)	-	-	-	-	93006460		1

WA-M220 WB	Ø 0.8	Ø 1.0	Ø 1.2	Ø 1.4	Ø 1.6	Ref.
WITHOUT MANIFOLD	5170	5171	5172	5173	5174	-
NOZZLE + NEEDLE SET	93006750	93006760	93006770	93006780	93006790	2
AIR CAP SET (WB1)	93006520					1

WA-M220 L	Ø 0.4	Ø 0.6	Ø 0.8	Ø 1.0	Ø 1.2	Ref.
WITHOUT MANIFOLD	5180	5180	5483	5182	5183	-
NOZZLE + NEEDLE SET	93984890	93984900	93984910	93984920	93984930	2
AIR CAP SET (E4)	93662600					1

AIR CAP CONVERSION KIT	Ø 0.4	Ø 0.6	Ø 0.8	Ø 1.0	Ø 1.2	Ref.
	93984830	93984840	93984850	93984860	93984870	21+21-1+1+2

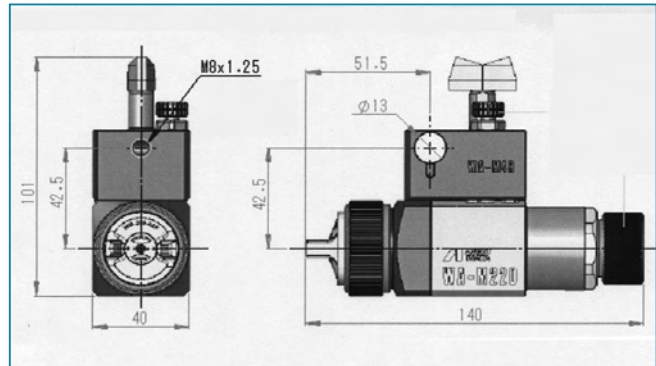


Easy to Maintain

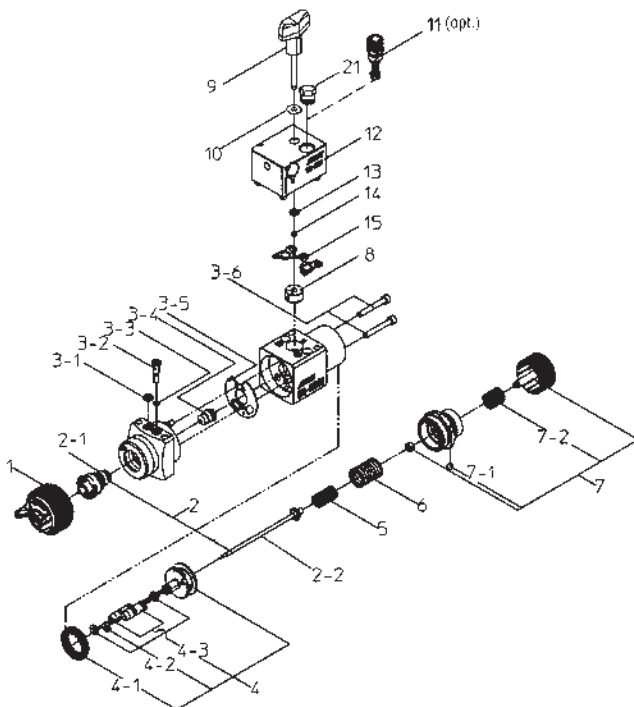
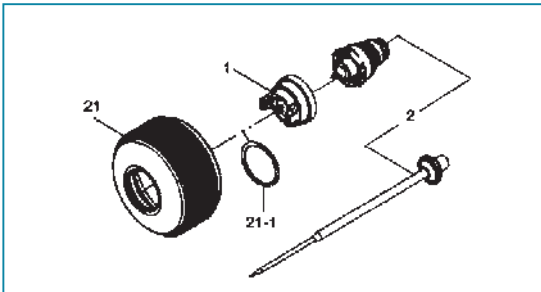
- Simple quick disassembly from manifold
- Fluid needle and air piston disassembled from rear of spray gun
- Smooth stainless steel fluid passages to comply with all water-based materials



Dimensions



AIR CAP Conversion Kit



SPARE PARTS

Ref.	Code	Description	
21	93984880	AIR CAP COVER SET	WA-M220L
21-1	93512600	AIR CAP PACKING	WA-M220L
	5488	MANIFOLD UNIT SET	
3-1	96639506	O RING	
3-2	93570630	PLUG	
3-3	93570640	O RING	
3-4	93765610	NEEDLE PACKING CARTRIDGE	
3-5	93008640	SPRAY GUN UNIT SEAL	
3-6	96365043	HEX SOCKET HEAD BOLT	
4	93008650	PISTON SET	
4-1	93903440	PISTON PACKING SET	2 pcs./1 pk.
4-2	96631005	O RING	
4-3	93008670	AIR VALVE	
5	93514580	NEEDLE SPRING	
6	93513580	PISTON SPRING	
7	93565630	FLUID ADJUSTMENT SET	
7-1	96666015	BALL	
7-2	93104420	FLUID ADJUSTMENT SPRING	
8	93010400	FILLER NUT BLOCK	
9	93009680	WING BOLT SET	
10	93009690	WASHER	
11	93009620	PATTERN ADJ. SET	
13	93009580	TURN SHAFT WASHER	
14	W3COM2051	RETAINING RING	
15	93009640	MANIFOLD SEAL	

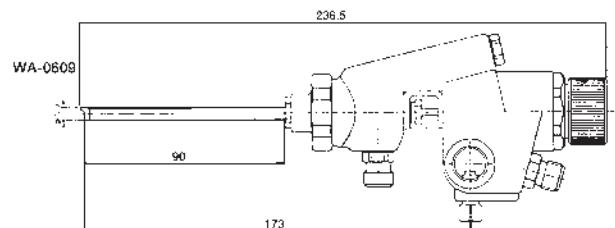
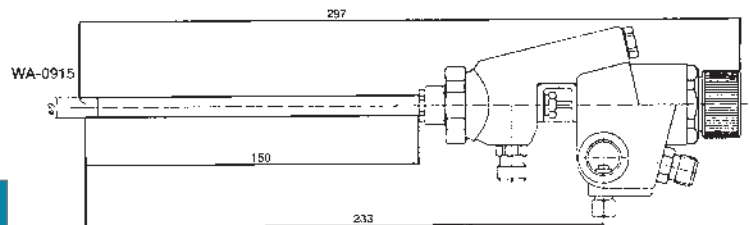
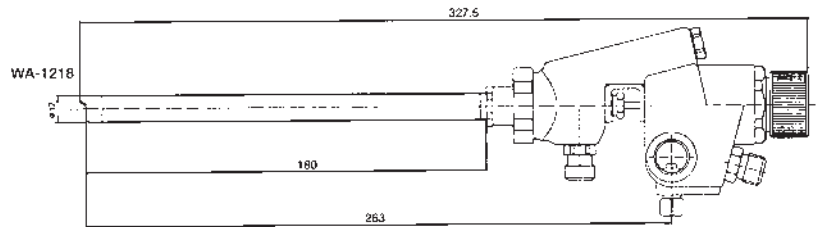
TECHNICAL						
WA-1218 WA-0915 WA-0609						
WA-1218	0.6	3.0/ 43.5	17	2.6	48	
WA-0915	0.5		9	1.9	36	
WA-0609	0.5		6	1.7	32	

Air Nipple: G1/4" • Fluid Nipple: G1/4"



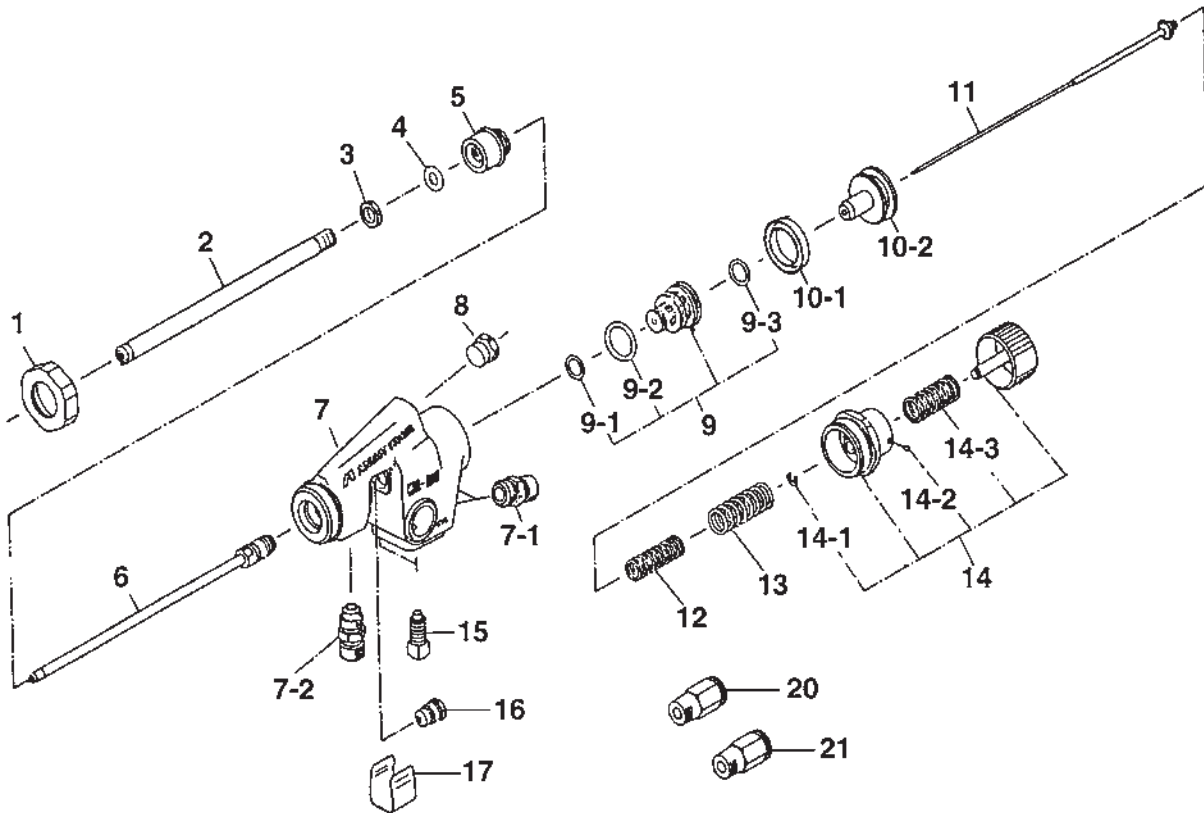
WA-1218

ORDER Information - WA-1218 WA-0915 WA-0609				
Models	WA-1218	WA-0915	WA-0609	
	Ø 0.6	Ø 0.5	Ø 0.5	Ref.
AUTOMATIC SPRAY GUN	5443	5444	5445	-
AIR PIPE SET	93839620	93842620	-	2
AIR PIPE SET	-	-	93845620	2
FLUID PIPE SET	93840620	93843620	-	6
FLUID PIPE SET	-	-	93846620	6
FLUID NEEDLE SET	93841620	-	93847620	11
FLUID NEEDLE SET	-	93844620	-	11



Dimensions		
	Pipe length mm	Pipe diameter Ø mm
WA-1218	180	12
WA-0915	150	9
WA-0609	90	6





SPARE PARTS

Ref.	Code	Description	
1	93850620	COVER	
3	93543620	HEX. NUT	WA-0915
3	03550620	HEX. NUT	WA-0609
3	03535620	HEX. NUT	WA-1218
4	06637609	O RING	WA-0915
4	06637696	O RING	WA-0609
4	06637612	O RING	WA-1218
5	03545620	AIR PIPE SEAT	WA-0915
5	03552620	AIR PIPE SEAT	WA-0609
5	03538620	AIR PIPE SEAT	WA-1218
7-1	03502620	AIR NIPPLE	G 1/4"
7-2	03584530	FLUID NIPPLE	G 1/4" - 1/4"
7-2	03515600S	SPECIAL FLUID NIPPLE (AISI 303)	G 1/4" - G 3/8"
8	93625370	BLANK SCREW	
9	03805620	AIR VALVE SEAT SET	
9-1, 9-2, 9-3	03849620	O RING SET	

Ref.	Code	Description	
10-1	03903440	PISTON PACKING SET	2 pcs./1 pk.
10-2	03511580	PISTON	
12	03514580	NEEDLE SPRING	
13	03513580	PISTON SPRING	
14	93840581	FLUID ADJUSTMENT SET	
14-1	03912030	E STOPPER	2 pcs./1 pk.
14-2	03914730	BALL	2 pcs./1 pk.
14-3	03104420	FLUID ADJ. SPRING	
15	03811580	BOLT SET	
16	93765610	NEEDLE PACKING CARTRIDGE	
17	93522581	COVER	
	96990600	BRUSH	
20	06801162	HALF UNION \varnothing INNER 6 mm	
21	06801182	HALF UNION \varnothing INNER 8 mm	
	93834580	AIR VALVE SEAT AXIS TOOL	

TOF-5B | TOF-5RB | TOF-6B | TOF-6RB



FEATURES

SPECIFICS TO ATOMIZE LIQUIDS

- Designed to atomize liquids such as water, oil, ink, adhesives, air fresheners and other chemicals

TECHNICAL



TOF-5B TOF-5RB TOF-6B TOF-6RB			FAN	ROUND	FAN	ROUND		
TOF-5B/5RB TOF-6B/6RB	0.5	05	3.0/43.5	60	2.1	1.4	200	50
TOF-5B/5RB TOF-6B/6RB	1.0	10		250	2.8	1.8	250	70
TOF-5B/5RB TOF-6B/6RB	1.3	13		360	3.5	1.9	350	80
TOF-5B/5RB TOF-6B/6RB	2.0	20		600	4.9	3.0	400	90

Air Nipple: G 1/8" • Fluid Nipple: G 1/8"

ORDER Information - TOF-5B | TOF-5RB | TOF-6B | TOF-6RB

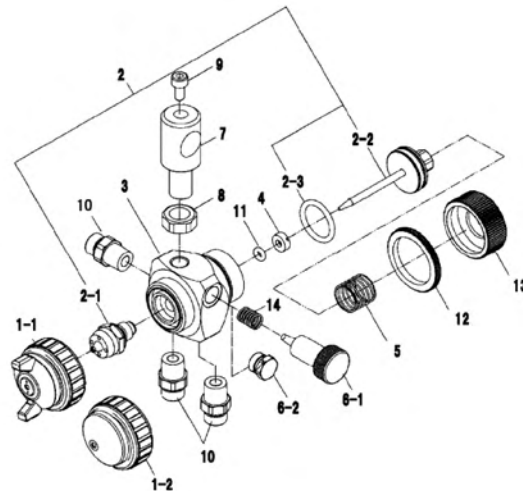
	ø 0.5	ø 1.0	ø 1.3	ø 2.0	Ref.
TOF-5B	5450B	5451B	5452B	5453B	-
TOF-5RB	5455B	5456B	5457B	5458B	-
TOF-6B	5460B	5461B	5462B	5463B	-
TOF-6RB	5465B	5466B	5467B	5468B	-
NOZZLE + PISTON SET	93002800	93002710	93002600	93002750	2
AIR CAP SET TOF-5B/6B	93031982	93038982	93001982	93047982	1
AIR CAP SET TOF-5RB/6RB	93061982	93063982	93055982	93065982	1-2

ORDER Information - TOF-5 | TOF-5R | TOF-6 | TOF-6R - Spare Interchangeables

	ø 0.5	ø 1.0	ø 1.3	ø 2.0	Ref.	Interchangeable B VERSION
NOZZLE + PISTON SET	93033980	93041980	93006980	93049980	2	NOT INTERCHANGEABLE
AIR CAP SET TOF-5/TOF-6	93031980	93038980	93001980	93047980	1	INTERCHANGEABLE
AIR CAP SET TOF-5R/-6R	93061980	93063980	93055980	93065980	1-2	

SPARE PARTS (VERSION B)

Ref.	Code	Description
2-3	93903980	O-RING (2 pcs./1 pk.)
4	93015980	O-RING SEAT
5	93195980	PISTON SPRING
6-1	93002650	PATTERN ADJ. SET
6-1	93057980	PLUG
7	93002671	HOLDER
8	93213981	HEXAGON NUT
9	96350612	BOLT
10	93023980	NIPPLE
11	96997085	O-RING
12	93024980	JAM NUT
13	93002680	FLUID ADJ. KNOB
14	93002660	SPRING



SPARE PARTS

(PREVIOUS VERSION - NOT SHOWN)

Ref.	Code	Description
6-1	93016980	PATTERN ADJUSTMENT SET
7	93021981	HOLDER
9	96365060	BOLT
12	93024980	JAM NUT
13	93025980	FLUID ADJ. KNOB
14	93028980	NUT
15	93030980	JOINT



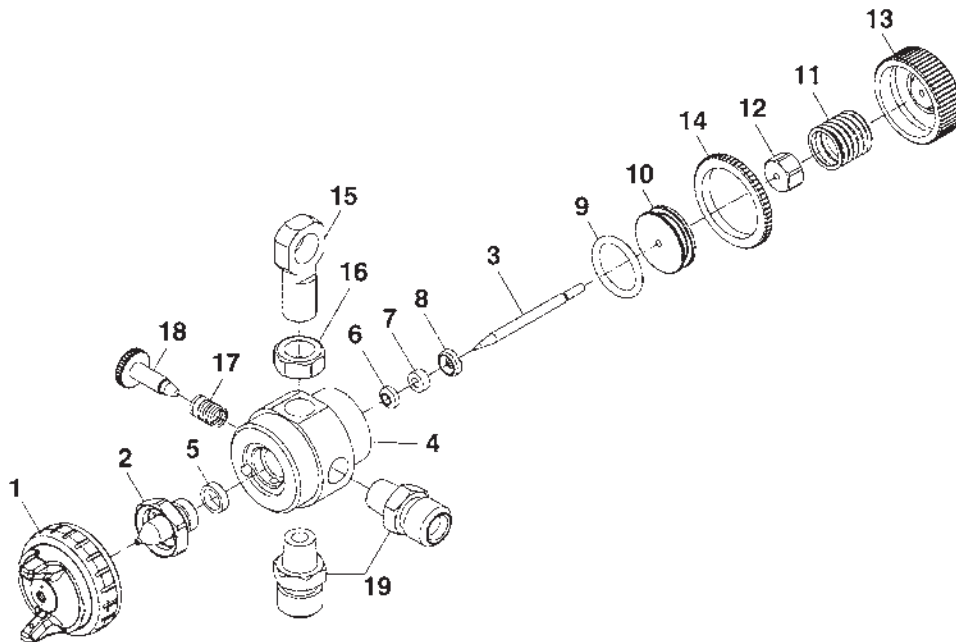


TECHNICAL							
SGA-101							
SGA-101		1.0	E1	3.0/43.5	95	2.8	250

Air Nipple: G1/4" • Fluid Nipple: G1/4"

ORDER INFORMATION - SGA-101

Code	Description
5442B	SGA-101 AUTOMATIC SPRAY GUN



SPARE PARTS

Ref.	Code	Description	
1	93689610	AIR CAP - E1	
2	93044980	FLUID NOZZLE	
3	93060980	FLUID NEEDLE	
5	93902980	PACKING SET	2 pcs./1 pk.
6-7	93900981	FLUID NEEDLE PACKING SET	
8	93093160	NEEDLE PACKING SEAT	
9	93903980	O RING SET	2 pcs./1 pk.
10	93220980	PISTON	
11	93223980	SPRING	

Ref.	Code	Description	
12	93091980	NUT	
13	93105981	FLUID ADJ. KNOB	
14	93024980	JAM NUT	
15	93240981	BOLT	
16	93213981	HEXAGON NUT	
17	93248980	SPRING	
18	93120981	SPREAD ADJUST VALVE	
19	94013152	JOINT	

COG-A200 | COG-R200



COG-A200

TECHNICAL	Ø mm	No.	bar/psi	m ³ /min	CFM	mm
	COG-A200					
COG-A200-12	1.2	COG-200	2.9/42	150	13.2	265
COG-A200-18	1.8			250		390
COG-R200						
COG-R200-12	1.2	COG-200	2.9/42	150	9.8	265
COG-R200-18	1.8			2/29		250

ORDER Information - COG-A200

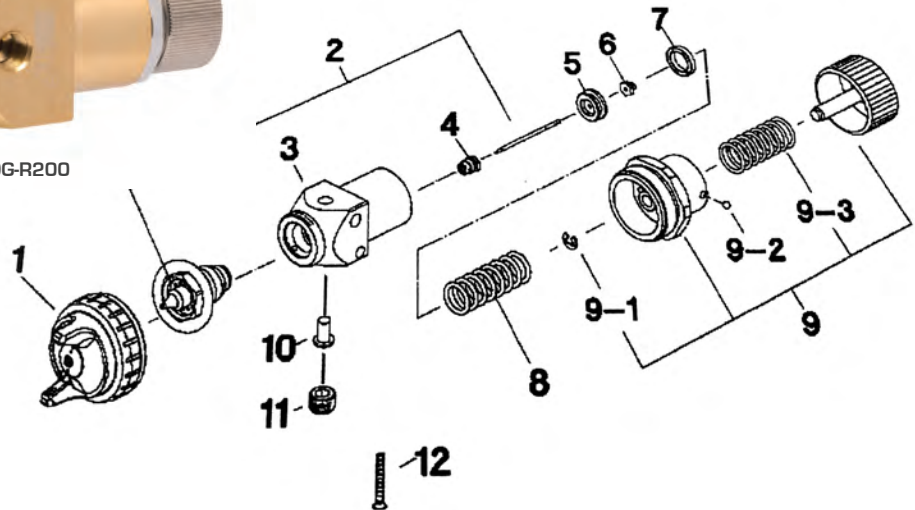
	Ø 1.2	Ø 1.8
AUTOMATIC SPRAY GUN	7602	7603
NOZZLE + NEEDLE SET	9COG-A200-12-20	9COG-A200-18-20
AIR CAP SET	9COG-200-18-10	

ORDER Information - COG-R200

	Ø 1.2	Ø 1.8
AUTOMATIC SPRAY GUN	7604	7605
NOZZLE + NEEDLE SET	9COG-R200-12-20	9COG-R200-18-20
AIR CAP SET	9COG-200-18-10	



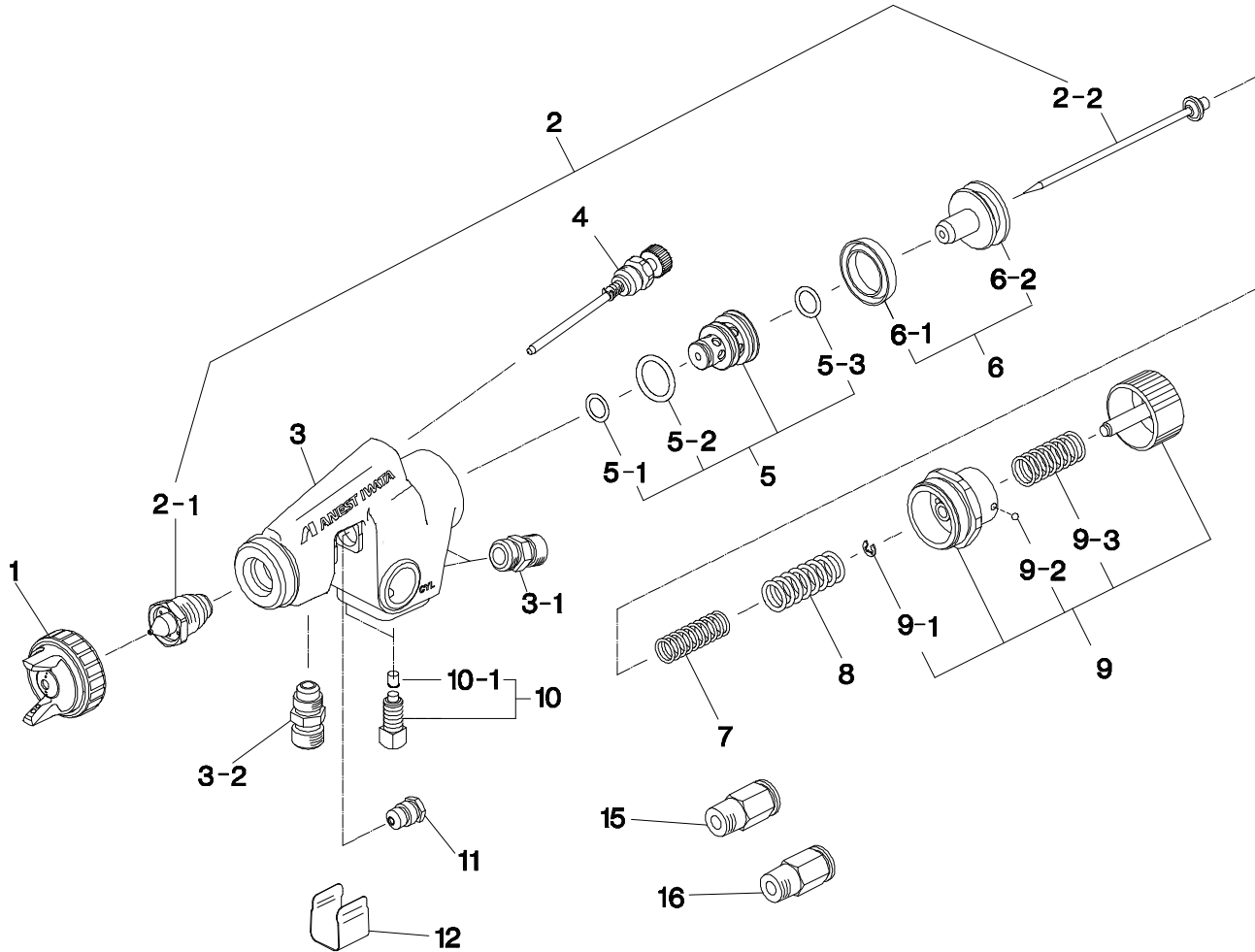
COG-R200



SPARE PARTS COG-R200

Ref.	Code	Description
1	9COG-200-18-10	COG-200 AIR CAP ASSY
2	9COG-R200-12-20	COG-R200 NOZZLE/NEEDLE ASSY 1.2
2	9COG-R200-18-20	COG-R200 NOZZLE/NEEDLE ASSY 1.8
4	93847580	NEEDLE PACKING SET
5	93629570	PISTON
6	93455230	NUT
7	93903440	PISTON PACKING (PACK OF 2)

Ref.	Code	Description
9	93840581	FLUID ADJUST SET W/ RATCHET
9-1	93912030	E STOPPER (PACK OF 2)
9-2	93914730	STEEL BALL (PACK OF 2)
9-3	93104420	FLUID ADJUST SPRING
10	93526620	PLUG
11	96990440	PLUG
12	96172529	SCREW



SPARE PARTS COG-A200

Ref.	Code	Description
1	9COG-200-18-10	COG-200 AIR CAP ASSY
2	9COG-A200-12-20	COG-A200 NOZZLE/NEEDLE ASSY 1.2
2	9COG-A200-18-20	COG-A200 NOZZLE/NEEDLE ASSY 1.8
3-1	93502620	AIR NIPPLE
3-2	93515600	FLUID NIPPLE
4	93812621	SPREAD ADJUST SET
5	93805620	AIR VALVE SEAT SET
6-1	93903440	PISTON PACKING (PACK OF 2)
6-2	93511580	PISTON
7	93514580	NEEDLE SPRING
8	93513580	PISTON SPRING
9	93840581	FLUID ADJUST SET W/ RATCHET
9-1	93912030	E STOPPER (PACK OF 2)

Ref.	Code	Description
9-2	93914730	STEEL BALL (PACK OF 2)
9-3	93104420	FLUID ADJUST SPRING
10	93811580	BOLT SET (PACK OF 2)
10-1	93810580	BOLT CAP (PACK OF 2)
11	93765610	NEEDLE PACKING SET
12	93522581	COVER
15	96801162	HALF UNION
16	96801182	HALF UNION
	93849620	O RING SET
	93834580	AIR VALVE SEAT AXIS
	9COG-A200-12-50	COG-A200-12 CONVERSION ASSY
	9COG-A200-18-50	COG-A200-18 CONVERSION ASSY

DPS-120 | DPS-90

DDP-90F.TE



Pump Unit

DDP-120B.TE



Pump Unit

FEATURES

- Double Diaphragm Paint Pumps are the perfect choice for fluid delivery to manual and automatic spray guns
- Pneumatic pump control with double spool air circuit promises an excellent finish
- The pneumatic control system prevents forced stoppage of the pump
- Dead storage material channels and easily collapsible pump structure facilitate cleaning, inspection and maintenance
- Wear-resistant pump assembly
- Available with a 2-way connection (Aluminum & Stainless Steel models)

TECHNICAL DATA	DPS-120C.TE	DPS-90G.TE
Ratio	1:1	
Max. Working Pressure	7 bar (100 psi)	
Fluid Output at 30 cyc/min.	4.5 lt./min	1.5 lt./min
Fluid Output at 200 cyc/min. max.	30 lt./min	10 lt./min
Paint Viscosity	85 sec/Ford#4	
Working Temperature	5-40 C°	
Paint Outlet Filter	100 mesh	
Siphon Paint Filter	50 mesh	
Air Supply Nipple (To Gun)	N/A	
Air Supply Nipple (To Pump)	G1/4"	
Fluid Supply Nipple (To Gun)	Rc 3/8	
Fluid Inlet	G1/2"	

on Stand

on Tank Mount

on Cart

on Wall Mount

ASSEMBLY



ORDER Information		DPS-120		DPS-90	
UNIT ASSEMBLY	STAINLESS STEEL	MODELS	Code	MODELS	Code
PUMP UNIT		DDP-120BN	8143B	DDP-90FN	8134F
STAND MOUNT		DPS-1201CN	8181	DPS-901GN	8171
TANK MOUNT		DPS-1202CN	8182	DPS-902GN	8172
CART MOUNT		DPS-1203CN	8183	DPS-903GN	8173
WALL MOUNT		DPS-1204CN	8184	DPS-904GN	8174
PAINT PRESSURE REGULATOR		PR-5BN	8060B	PR-5BLN	8077B

DDP-70B.TE



Pump Unit

FEATURES

- Double Diaphragm Paint Pumps are the perfect choice for fluid delivery for manual and automatic spray guns
- Pneumatic pump control with Double Spool air circuit promises an excellent finish
- The pneumatic control system prevents forced stoppage of the pump
- Dead storage material channels and easily collapsible pump structure facilitate cleaning, inspection and maintenance
- Wear-resistant pump assembly
- Available with a 2-way connection



Paint Pressure Regulator

TECHNICAL DATA	DPS-70C.TE
Ratio	1:1
Max. Working Pressure	7 bar (100 psi)
Fluid Output at 200 cyc/min. max.	6 lt./min
Paint Viscosity	60 sec/Ford#4
Working Temperature	5~40 C°
Paint Outlet Filter	100 mesh
Siphon Paint Filter	50 mesh

on Stand

on Tank Mount

on Cart

on Wall Mount

ASSEMBLY



ORDER Information	DPS-70C		DPS-70CN	
UNIT ASSEMBLY	MODELS	Code	MODELS	Code
PUMP UNIT	DDP-70B	14068640	DDP-70BN	8135B
STAND MOUNT	DPS-701C	14069060	DPS-701CN	8191
TANK MOUNT	DPS-702C	14069140	DPS-702CN	8192
CART MOUNT	DPS-703C	14069220	DPS-703CN	8193
WALL MOUNT	DPS-704C	14069300	DPS-704CN	8194
PAINT PRESSURE REGULATOR	PR-5BL	8281	PR-5BLN	8077B

Dimensions & Weight

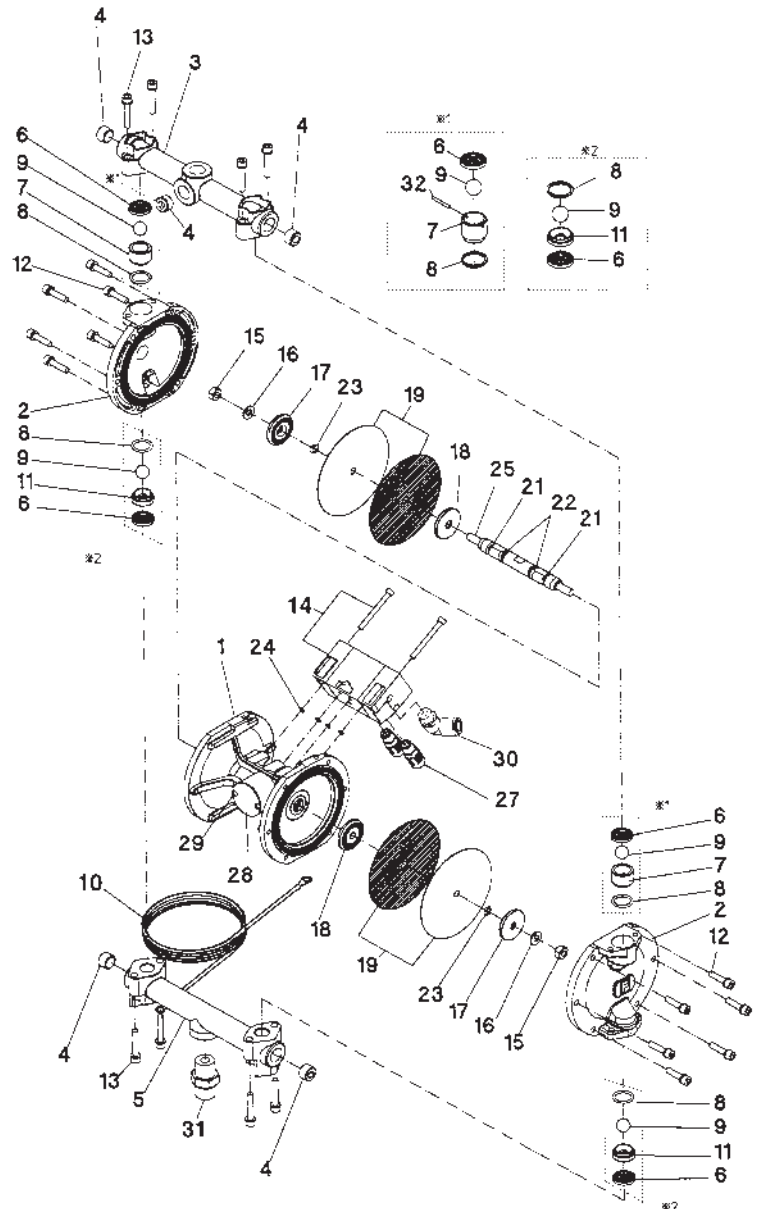
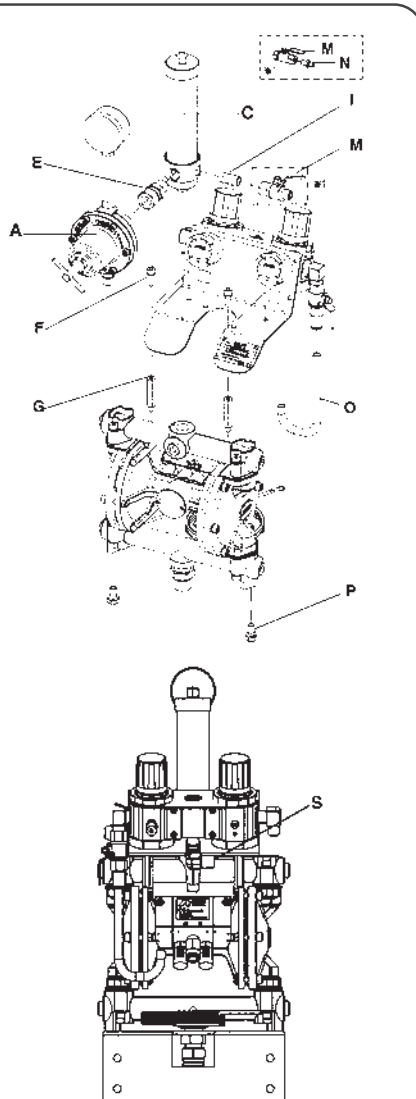
UNIT ASSEMBLY	Dimensions (mm)	Weight (kg)	Dimensions (mm)	Weight (kg)	Dimensions (mm)	Weight (kg)
On Stand	409x358x806	10.5 (C) 13.9 (CN) 10.5 (C-WB)	409x358x764	9.6 (G) 11.7 (GN) 9.6 (G-WB)	410x358x700	6.0 (C) 7.4 (CN)
On Tank Mount		9.6 (C) 12.1 (CN) 9.6 (C-WB)		8.7 (G) 10.8 (GN) 8.7 (G-WB)		5.1 (C) 6.5 (CN)
On Cart w/Suction Rod	437x452x868	13.0 (C) 15.5 (CN) 13.0 (C-WB)	437x452x868	12.1 (G) 14.2 (GN) 12.1 (G-WB)	439x452x868	8.5 (C) 9.9 (CN)
On Wall Mount		9.5 (C) 12.0 (CN) 9.5 (C-WB)		8.6 (G) 10.7 (GN) 8.6 (G-WB)		5.0 (C) 7.1 (CN)
On Cart w/Hopper	526x528x868	13.0 (C) 15.5 (CN) 13.0 (C-WB)	526x528x868	12.1 (G) 14.2 (GN) 12.1 (G-WB)	573x555x868	8.5 (C) 9.9 (CN)

DPS-120 | DPS-90

ACCESSORIES - DPS-120 | DPS-90

Ref.	Code	Description	for Models
A	8281	PAINT REGULATOR SET PR-5BL	for Aluminum
A	8077B	PAINT REGULATOR SET PR-5BLN	for Stainless Steel
C	94493020	PAINT FILTER SET	
E	06859803	SWIVEL JOINT	for DPS 120-1C/-2C/-3C/-4C/-36C_DPS 90-1G/-2G/-3G/-4G/-36G
E	06859591	SWIVEL JOINT	for DPS 120-1CN/-2CN/-3CN/-4CN/-36CN and -WB_DPS 90-1GN/-2GN/-3GN/-4GN/-36GN and -WB
F	06357501	HEX. SOCKET BOLT WITH WASHER	
G	04493000	CONNECTING BOLT	
I	06642002	NIPPLE	
M	04432650	BALL VALVE	for DPS120-1C/-2C/-3C/-4C/-36C and DPS90-1G/-2G/-3G/-4G/-36G
M	04433630	BALL VALVE	for DPS 120-1CN/-2CN/-3CN/-4CN/-36CN and -WB_DPS 90-1GN/-2GN/-3GN/-4GN/-36GN and -WB
N	94343310	JOINT G1/4"R1/4"	for DPS 120-1CN/-2CN/-3CN/-4CN/-36CN and -WB_DPS 90-1GN/-2GN/-3GN/-4GN/-36GN and -WB
O	04494040	PIPE	
P	06994758	WASHER BOLT	
S	06859563	ELBOW UNION	for DPS 120-4C/-4CN and DPS 90-4G/-4GN

Accessories



SPARE PARTS - DPS-120 | DPS-90

Ref.	Code	Description	Qty.	DDP-90F	DDP-90FN	DDP-120B	DDP-120BN
1	94410622	MAIN BODY		X	X		
1	94437632	MAIN BODY				X	X
2	94456582	LID		X			
2	94414592	LID			X		
2	94439631	LID				X	
2	94453660	LID					X
3	94452640	UPPER ADAPTOR		X		X	
3	94414650	UPPER ADAPTOR			X		X
4	96990413	HEXAGON SOCKET PLUG		X		X	
4	96367202	HEXAGON SOCKET PLUG			X		X
5	94441630	LOWER ADAPTOR		X		X	
5	94416592	LOWER ADAPTOR			X		X
6	94935620	PACKING SET	2 pcs./1 pk	X	X		
6	94933290	PACKING SET	2 pcs./1 pk			X	X
7	94931630	EXHAUST VALVE	2 pcs./1 pk	X	X		
7	94935290	EXHAUST VALVE	2 pcs./1 pk			X	X
8	94932630	O-RING SET	2 pcs./1 pk	X	X		
8	94930300	O-RING SET	2 pcs./1 pk			X	X
9	94930630	STEEL BALL SET	2 pcs./1 pk	X	X		
9	94934290	STEEL BALL SET	2 pcs./1 pk			X	X
10	04492830	GROUND WIRE		X	X	X	X
11	94933630	INTAKE VALVE	2 pcs./1 pk	X	X		
11	94446630	INTAKE VALVE	2 pcs./1 pk			X	X
12	96357500	HEX. SOCKET BOLT WITH WASHER		X	X	X	X
13	96357502	HEX. SOCKET BOLT WITH WASHER		X	X	X	X
14	94490631	AIR OPERATING VALVE SET		X	X	X	X
15	96361081	HEX. NUT		X	X	X	X
16	96362080	SPRING WASHER		X	X	X	X
17	94414600	DIAPHRAGM HOLDER(OUTER)		X	X		
17	94448630	DIAPHRAGM HOLDER(OUTER)				X	X
18	94453581	DIAPHRAGM HOLDER(INNER)		X	X		
18	94449631	DIAPHRAGM HOLDER(INNER)				X	X
19	94931620	DIAPHRAGM SET	2 in+2 out	X	X		
19	94932301	DIAPHRAGM SET	2 in+2 out			X	X
21	96996610	Y PACKING		X	X	X	X
22	96630011	O-RING		X	X	X	X
23	96630008	O-RING		X	X	X	X
24	96630004	O-RING		X	X		
24	96630006	O-RING				X	X
25	94431590	ROD		X	X	X	X
27	94432590	MUFFLER		X	X	X	X
28	94456570	BLANKING COVER		X	X	X	X
29	96234002	TAPPING SCREW		X	X	X	X
30	06800202	ELBOW UNION		X	X	X	X
31	94427640	JOINT		X		X	
31	94428640	JOINT			X		X
32	94444630	PIN				X	X

DPS-70C | DPS-70CN

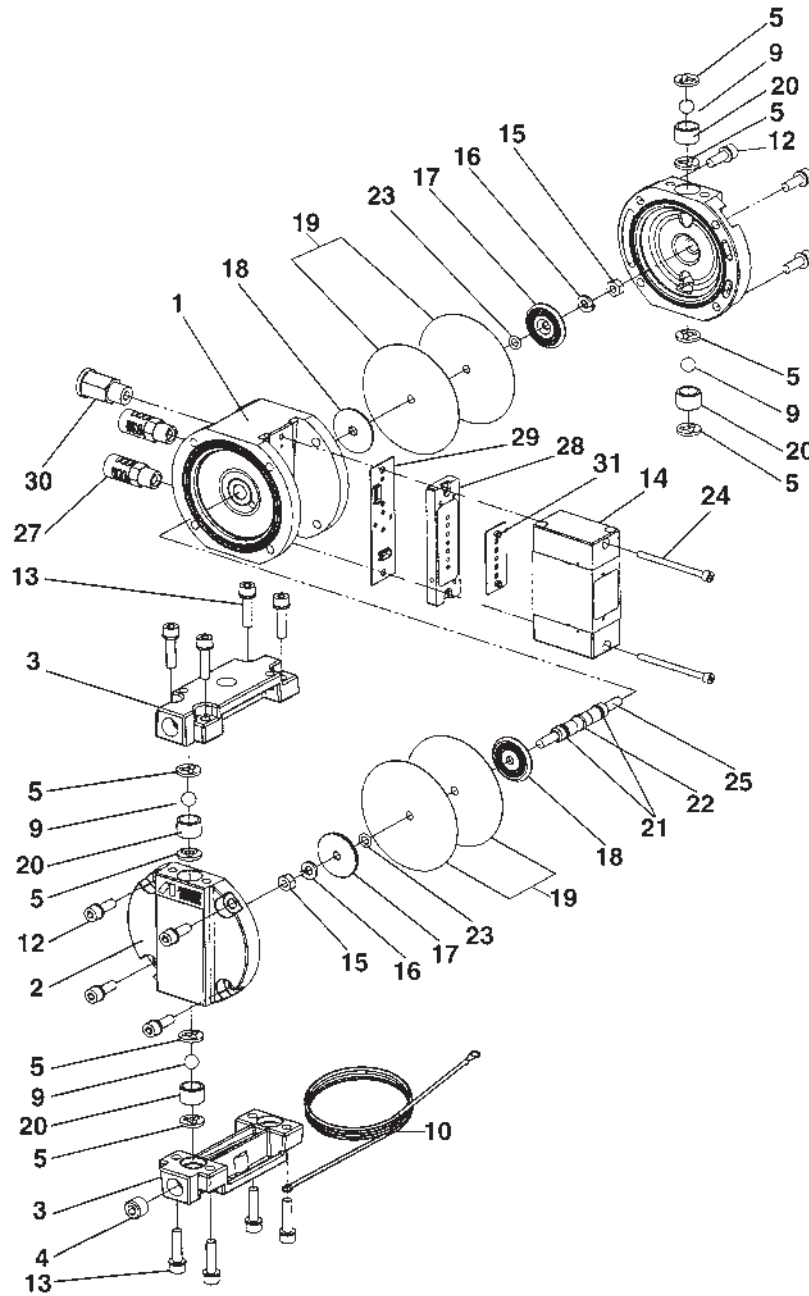
ACCESSORIES - DPS-70C | DPS-70CN

Ref.	Code	Description	for Models
A	8281	PAINT REGULATOR SET PR-5BL	for Aluminum
A	8077B	PAINT REGULATOR SET PR-5BLN	for Stainless Steel
D	06646002	STREET ELBOW	
E	06859557	MALE-FEMALE UNION	DPS 701C/702C/704C
E	06859558	MALE-FEMALE UNION	DPS 701CN/702CN/703CN/7036CN/704CN
F	06357501	HEX. SOCKET BOLT WITH WASHER	
M	04432650	BALL VALVE	DPS 701C/702C/703C/704C/7036C
M	04433630	BALL VALVE	DPS 701CN/702CN/703CN/7036CN/704CN
N	94343310	JOINT G1/4" R1/4"	
O	04492930	TUBE	
P	06994756	WASHER BOLT	
R	06859538	ELBOW UNION 1/4" M - 1/4" M	DPS 701C/702C/704C
R	04435630	ELBOW UNION 1/4" M - 1/4" M	DPS 701CN/702CN/703CN/7036CN/704CN
S	06859563	ELBOW UNION Rc1/4" F - 1/4" M	DPS 704C/704CN
T	04492790	ELBOW UNION Rc 3/8" F - 3/8" M	DPS 702C/702CN

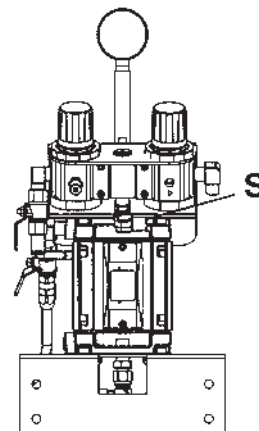
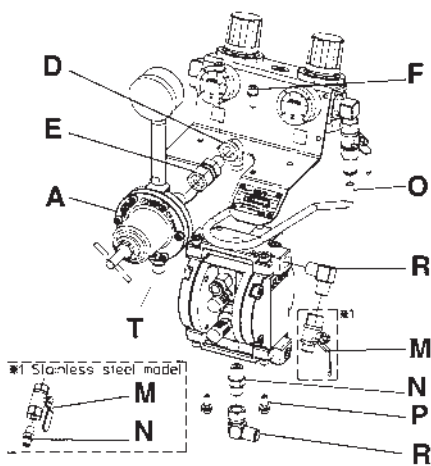
SPARE PARTS - DPS-70C | DPS-70CN

Ref.	Code	Description	Qty.	DDP-70B	DDP-70BN
1	94943570	MAIN BODY		X	X
2	94402581	LID		X	
2	94409720	LID			X
3	94400583	ADAPTOR		X	
3	94409710	ADAPTOR			X
4	96990412	HEXAGON SOCKET PLUG		X	
4	96367201	HEXAGON SOCKET PLUG			X
5	94932320	PACKING SET	4 pcs./1 pk.	X	X
9	94932330	STEEL BALL SET	2 pcs./1 pk.	X	X
10	04492830	GROUND WIRE		X	X
12	06357501	HEX. SOCKET BOLT WITH WASHER		X	X
13	96357500	HEX. SOCKET BOLT WITH WASHER		X	X
14	04409650	AIR OPERATING VALVE SET		X	X
15	96361060	HEX. NUT		X	X
16	06362060	SPRING WASHER		X	X
17	94401592	DIAPHRAGM HOLDER (outer)		X	X
18	94402592	DIAPHRAGM HOLDER (inner)		X	X
19	94932340	DIAPHRAGM SET (outer)	2 pcs./1 pk.	X	X
20	94932310	SEAT	2 pcs./1 pk.	X	X
21	96996611	Y PACKING		X	X
22	96996640	PSD PACKING		X	X
23	96630006	O RING		X	X
24	96356503	BOLT WITH HEX. HOLE		X	X
25	94405581	ROD		X	X
27	94432590	MUFFLER		X	X
28	94944571	SUB PLATE		X	X
29	94405591	GASKET		X	X
30	96801202	HALF UNION		X	X
31	94409660	PACKING		X	X





Accessories

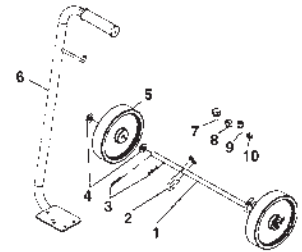


"S" Elbow Union for Air Connection

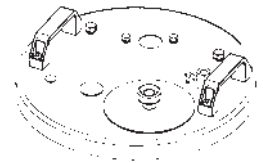
SPARE PARTS AND ACCESSORIES

Code	Description	Ref.
FOR ALL CART TYPES (Pict. A):		
94492770	WHEEL CART SET	
04493910	AXLE	1
06991938	"U" BOLT	2
06659020	SNAP PIN	3
06475122	WASHER	4
07990213	SOLID TIRE	5
04493920	HANDLE	6
06994758	BOLT + WASHER	7
06382082	HEX. NUT	8
06357501	HEX. SOCKET BOLT WITH WASHER	9
06382062	HEX. NUT	10
FOR ALL TANK TYPES (Pict. B):		
94492780	LID SET	
FOR ALL WALL BRACKET TYPES (Pict. C):		
04459630	WALL MOUNTING BRACKET	
06859563	ELBOW UNION (FOR AIR CONNECTION)	
HOPPER SET		
8147	HOPPER SET FOR DPS903/1203	
REGULATOR SET FOR TWO GUNS (Pict. D):		
8066B	2 GUN SETUP WITH 1 PR-5 REGULATOR	

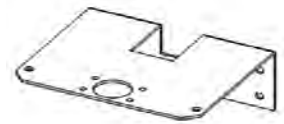
Pict. A



Pict. B

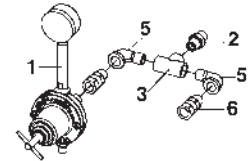


Pict. C

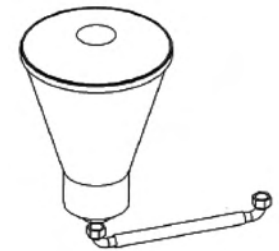


Pict. D

Stainless Steel type



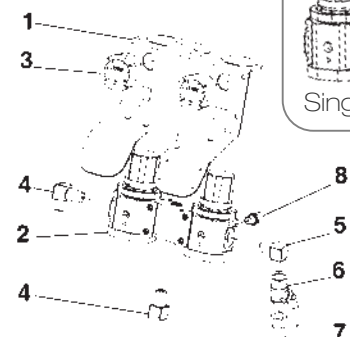
8147 Hopper Set



AIR REGULATOR SET

Code	Description	Ref.
04492860	PANEL	1
04492870	AIR REGULATOR SET (2 REGULATORS SET)	2
04492890	AIR REGULATOR (SINGLE)	
04492910	PRESSURE GAUGE	3
06858202	ELBOW R1/4" G1/4"	4
06859538	ELBOW R1/4" R1/4"	5
04492920	BALL VALVE RC1/4" R1/4"	6
06809136	FEMALE UNION Ø10 X RC1/4"	7
04492940	SAFETY VALVE	8

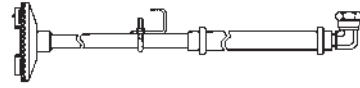
Air Regulator



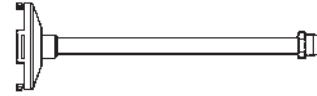
SUCTION HOSE & DRAIN HOSE SET

Code	Description	Ref.
SUCTION HOSE SET FOR CART TYPE (A) - STAND TYPE (B) - WALL BRACKET TYPE (D)		
04493830	SUCTION HOSE FOR ALUMINUM MODEL	Pict. 1
04494060	SUCTION HOSE FOR STAINLESS STEEL AND ANODIZED ALUMINUM MODEL	Pict. 1
04437930	SUCTION HOSE FOR DPS 701C/703C/704C/7036C- /CN STAINLESS STEEL	Pict. 1
SUCTION PIPE SET FOR TANK TYPE (C)		
04493670	SUCTION PIPE FOR ALUMINUM MODEL	Pict. 2
04404210	SUCTION PIPE FOR STAINLESS STEEL AND ANODIZED ALUMINUM MODEL	Pict. 2
04437830	SUCTION PIPE FOR DPS 704C- /CN STAINLESS STEEL	Pict. 2
SUCTION FILTER SET FOR ALL TYPES		
04637780	SUCTION FILTER	Pict. 3
0040720100	FILTER (50 mesh)	1
00407203	FILTER STOPPER	2
DRAIN HOSE SET FOR CART TYPE (A) - STAND TYPE (B) - WALL BRACKET TYPE (D)		
04493850	DRAIN HOSE FOR ALUMINUM MODEL	Pict. 4
04494090	DRAIN HOSE FOR STAINLESS STEEL AND ANODIZED ALUMINUM MODEL	Pict. 4
04493571	DRAIN HOSE FOR ALUMINUM MODEL	Pict. 5
04494220	DRAIN HOSE FOR STAINLESS STEEL AND ANODIZED ALUMINUM MODEL	Pict. 5
DRAIN HOSE SET FOR HOPPER TYPE (E)		
04400280	DRAIN HOSE	Pict. 6

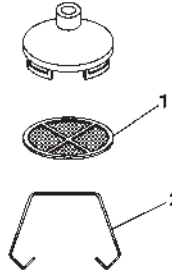
Pict. 1



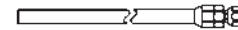
Pict. 2



Pict. 3



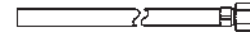
Pict. 4



Pict. 5



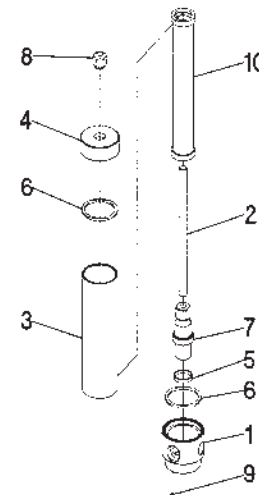
Pict. 6



PAINT FILTER SET

Code	Description	Ref.
04493020	PAINT FILTER SET	
04493030	BODY	1
04493040	FILTER BOLT	2
04493050	CYLINDER	3
04493060	CYLINDER CAP	4
04493070	PACKING	5
04493080	PACKING	6
04493090	JOINT	7
04493800	BOLT CAP	8
06583006	SPRING PIN	9
VFM2503	FILTER (100 MESH)	10

Paint Filter



Paint Flow Control Valve

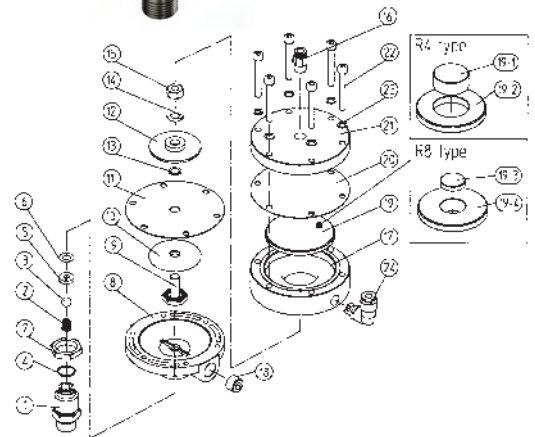
FCV-31 FCV-31 N-S1-R4 / -R8			
Code	Description	Type	Ref.
6762	FCV-31 PAINT FLOW CONTROL VALVE		
6765	FCV-31N PAINT FLOW CONTROL VALVE (STAINLESS STEEL)		
6766	FCV 31N-R4 PAINT FLOW CONTROL VALVE (STAINLESS STEEL)		
6767	FCV 31N-R8 PAINT FLOW CONTROL VALVE (STAINLESS STEEL)		
94700450	JOINT		1
94701451	VALVE SPRING		2
94702450	CARBIDE BALL		3
96639514	O RING		4
94703450	SEAT		5
94704450	PACKING		6
94731450	HEXAGON NUT		7
94705451	BODY		8
94707450	DIAPHRAGM BOLT		9
94708450	DIAPHRAGM HOLDER		10
94976440	DIAPHRAGM		11
94709451	DIAPHRAGM STOPPER		12
96995905	O RING		13
06500802	SPRING WASHER		14
96383086	HEXAGON NUT		15
96801161	HALF UNION		16
94757410	DIAPHRAGM CAP		17
06990412	PLUG WITH HEX. HOLE	(FCV-31)	18
96367201	PLUG WITH HEX. HOLE	(FCV-31N-S1)	18
94758410	DIAPHRAGM HOLDER (2) (1 pc.)	(FCV-31N-S1)	19
94768410	PISTON	(FCV-31N-S1-R4)	19-1
94766410	DIAPHRAGM HOLDER (2) (1 pc.)	(FCV-31N-S1-R4)	19-2
94769410	PISTON	(FCV-31N-S1-R8)	19-3
94767410	DIAPHRAGM HOLDER (2) (1 pc.)	(FCV-31N-S1-R8)	19-4
94759410	DIAPHRAGM (2) (1 pc.)		20
94760410	DIAPHRAGM CAP (2) (1 pc.)		21
96350540	BOLT WITH HEX.HOLE		22
96500502	SPRING WASHER		23
06800161	ELBOW UNION		24

FEATURES:

- Max. Flow Rate: 2.0 l/min
- Max. Primary Pressure: 25 bar/362 PSI
- Adj. Air Pressure: 0.0 ~ 6.0 bar/0 ~ 87 PSI
- Fluid Inlet Joint: G 3/8" B
- Fluid Outlet Joint: Rc 1/4"
- Air Hose: ø 6x4mm
- Mass Aluminum Version: 750 g
- Mass Stainless Steel Version: 950 g



Quick reset system

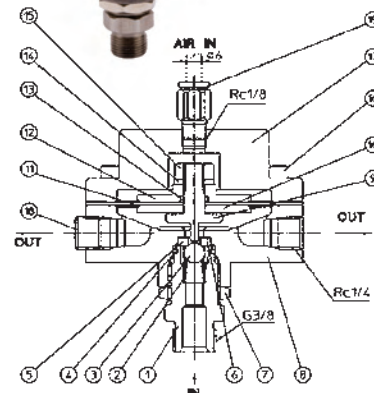


Paint Flow Control Valve

FCV-3			
Code	Description	Type	Ref.
6760	FCV-3 PAINT FLOW CONTROL VALVE		
6761	FCV-3N PAINT FLOW CONTROL VALVE		
94700450	JOINT		1
94701451	VALVE SPRING		2
94702450	CARBIDE BALL		3
96639514	O RING		4
94703450	SEAT		5
94704450	PACKING		6
94731450	HEXAGON NUT		7
94705451	BODY		8
94707450	DIAPHRAGM BOLT		9
94708450	DIAPHRAGM HOLDER		10
94976440	DIAPHRAGM		11
94709451	DIAPHRAGM STOPPER		12
96995905	O RING		13
06500802	SPRING WASHER		14
96383086	HEXAGON NUT		15
96357480	HEXAGON SOCKET BOLT + WASHER		16
94757400	DIAPHRAGM CAP		17
06990412	PLUG		18
96801161	HALF UNION		19

FEATURES:

- Max. Flow Rate: 2.0 l/min
- Max. Primary Pressure: 25 bar/362 PSI
- Max. Air Pressure: 6.0 bar/87 PSI
- Fluid Inlet Joint: G 3/8" B
- Fluid Outlet Joint: Rc 1/4"
- Air Hose: ø 6x4 mm
- Mass : 850 g

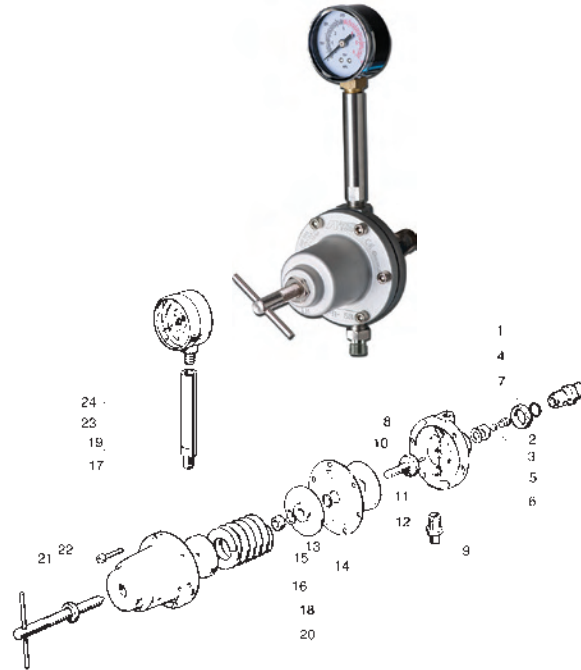


Paint Pressure Regulator

PR-5BL PR-5BL N			
Code	Description	Type	Ref.
8077B	PR-5BLN PAINT PRESSURE REGULATOR (STAINLESS STEEL)		
94700450	JOINT		1
94701451	VALVE SPRING		2
04702450	TUNGSTEN CARBIDE BALL		3
96639514	O RING		4
94703450	CARBIDE SEAT		5
94704450	PACKING		6
94731450	HEXAGON NUT		7
94705451	MAIN BODY	PR-5BL.TE	8
94724451	MAIN BODY	PR-5BLN.TE	8
04754450	JOINT 1/4" - G 3/8"	STAINLESS STEEL	9
94707450	DIAPHRAGM BOLT		10
94708450	DIAPHRAGM HOLDER		11
94976440	DIAPHRAGM		12
94709451	DIAPHRAGM STOPPER		13
96995905	O RING		14
06500802	SPRING WASHER		15
96383086	HEX NUT		16
96357480	BOLT WITH HEX HOLE		17
94720440	ADJ.SPRING		18
94711451	DIAPHRAGM CAP		19
94713450	SPRING HOLDER		20
94717501	HEX NUT		21
94970440	HANDLE SET		22
94725450	RISING PIPE		23
04755451	PRESSURE GAUGE		24

FEATURES:

- Max. Flow rate: 1.5 l/min
- Max. Primary Pressure: 7.0 bar/101 PSI
- Secondary Pressure range: 0.0 ~ 3.0 bar/0 ~ 43 PSI
- Fluid IN/OUT Joint: G 3/8"B
- Mass: 850 g

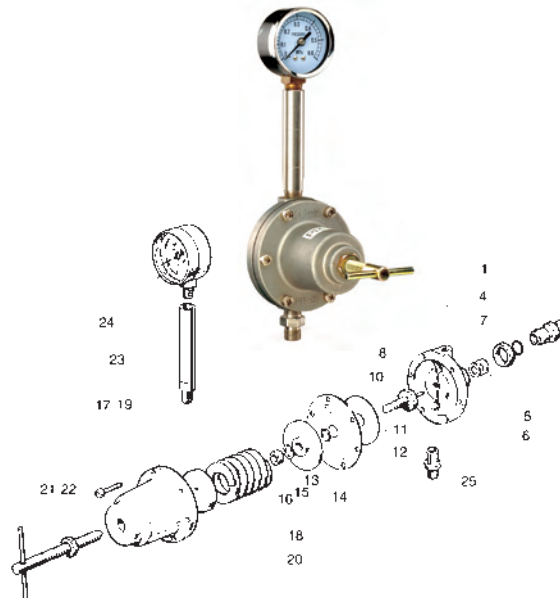


Back Pressure Valve for Paint Recirculation

PR-B5 PR-B5 BN			
Code	Description	Type	Ref.
8078B	PR-B5 BN BACK PRESSURE VALVE (STAINLESS STEEL)		
94700450	JOINT		1
96639514	O RING		4
94703450	CARBIDE VALVE		5
94704450	PACKING		6
94731450	HEXAGON NUT		7
04737450	DIAPHRAGM BOLT		10
94708450	DIAPHRAGM HOLDER		11
94976440	DIAPHRAGM		12
94709451	DIAPHRAGM STOPPER		13
96995905	O RING		14
06500802	SPRING WASHER		15
96383086	HEXAGON NUT		16
96357480	HEXAGON SOCKET BOLT + WASHER		17
94720440	ADJUSTING SPRING		18
94711451	DIAPHRAGM CAP		19
94713450	SPRING STOPPER		20
94717501	HEXAGON NUT		21
94970440	HANDLE SET		22
94725450	RISING PIPE		23
07201092	PRESSURE GAUGE		24
UL30010600	JOINT RC. 1/4" - G 3/8"		25

FEATURES:

- Max. Flow rate: 2.0 l/min
- Max. Primary Pressure: 6.0 bar/87 PSI
- Fluid Inlet joint: G 1/4"B
- Fluid Outlet joint: G 3/8"B
- Mass Aluminum version: 850 g
- Mass Stainless Steel version: 1020 g



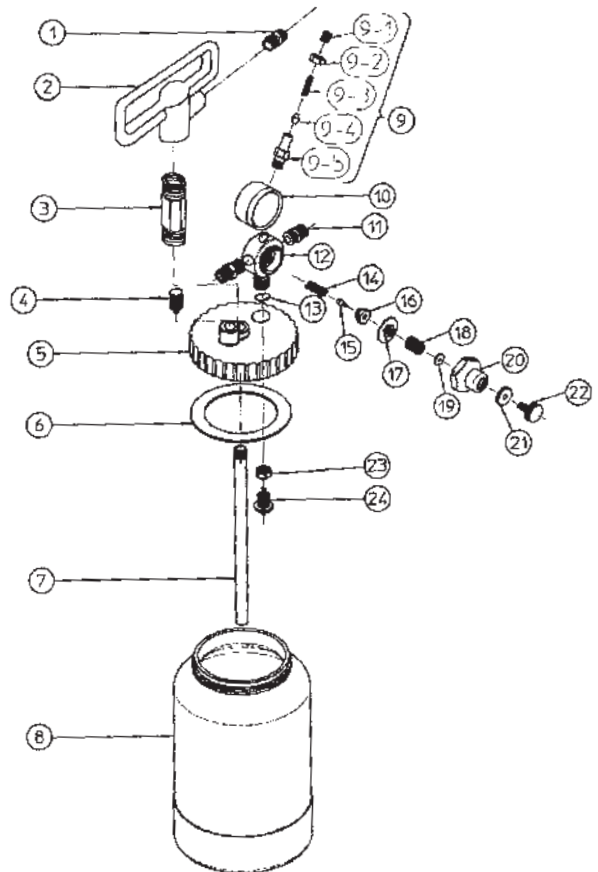
PC-18D 2 QUART PRESSURE POT



FEATURES:

- Max. Operating Pressure: 50.5 psi
- Fluid Nipple: G 3/8" (PF3/8)
- Capacity: 2 qt
- Tank: Aluminum
- Temperature Range: 5-40°C / 41-104°F

PC-18D		
Ref.	Code	Description
	6003B	PC-18D 2 QUART PRESSURE POT
1	94056350	FLUID JOINT
2	94055350	HANDLE
3	94057350	HANDLE JOINT
4	94003350	AIR RELEASE VALVE
5	94053350	LID
6	94900210	LID PACKING (2 pcs./1 pk.)
7	94001350	SUCTION PIPE
8	94000351	CONTAINER SET
9	94007350	SAFETY VALVE
9-1	94012350	PLUG
9-2	94011350	NUT
9-3	94010350	SAFETY VALVE SPRING
9-4	94009350	SAFETY VALVE SPRING SEAT
9-5	94008350	SAFETY VALVE BODY
10	94048400	PRESSURE GAUGE
11	94027350	JOINT
12	94049350	AIR REGULATOR BODY SET
13	96631012	O RING
14	94016350	SPRING
15	94017350	REGULATOR SEAT
16	94018350	GUIDE
17	94019350	DIAPHRAGM SET
18	94023350	DIAPHRAGM SET SPRING
19	94038350	SPRING HOLDER
20	94074350	CAP
21	94025350	NUT
22	94026350	KNOB
23	94058350	NUT
24	94904151	CHECK VALVE SET



PC-18DT PTFE COATED 2 QUART PRESSURE POT

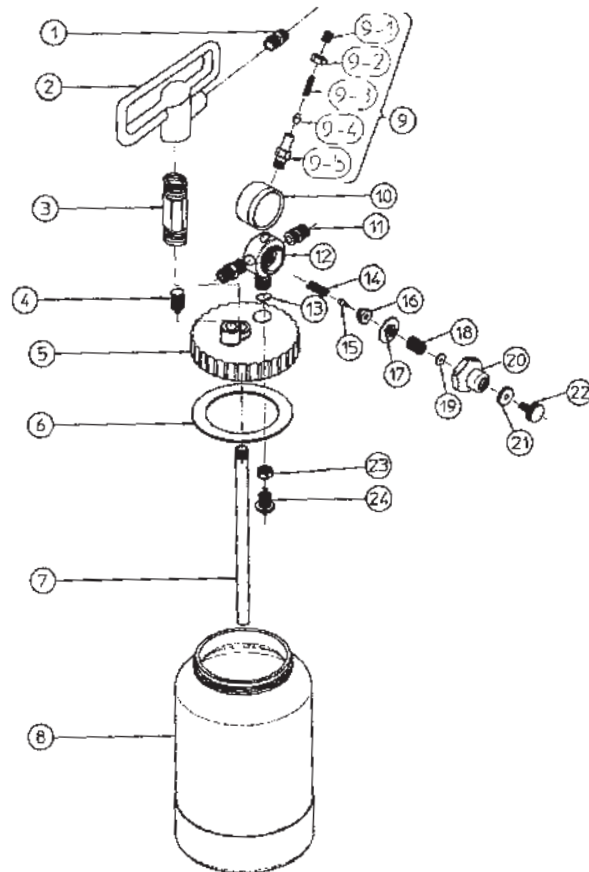


FEATURES:

- Max. Operating Pressure: 50.5 psi
- Fluid Nipple: G 3/8" (PF3/8)
- Capacity: 2 qt
- Tank: Aluminum
- Temperature Range: 5~40°C / 41-104°F

PC-18DT - PTFE COATED

Ref.	Code	Description
	6003BT	PC-18DT 2 QUART POT PTFE COATED
1	94065350	FLUID JOINT
2	94055350	HANDLE
3	94066350	HANDLE JOINT
4	94003350	AIR RELEASE VALVE
5	94053350	LID
6	94900210	LID PACKING (2 pcs./1 pk.)
7	94067350	SUCTION PIPE
8	94041351	CONTAINER SET
9	94007350	SAFETY VALVE
9-1	94012350	PLUG
9-2	94011350	NUT
9-3	94010350	SAFETY VALVE SPRING
9-4	94009350	SAFETY VALVE SPRING SEAT
9-5	94008350	SAFETY VALVE BODY
10	94048400	PRESSURE GAUGE
11	94027350	JOINT
12	94063350	AIR REGULATOR BODY SET
13	96631012	O RING
14	94016350	SPRING
15	94017350	REGULATOR SEAT
16	94018350	GUIDE
17	94019350	DIAPHRAGM SET
18	94023350	DIAPHRAGM SET SPRING
19	94038350	SPRING HOLDER
20	94074350	CAP
21	94025350	NUT
22	94026350	KNOB
23	94068350	NUT
24	94069350	CHECK VALVE SET



PC-18DM 2 QUART PRESSURE POT

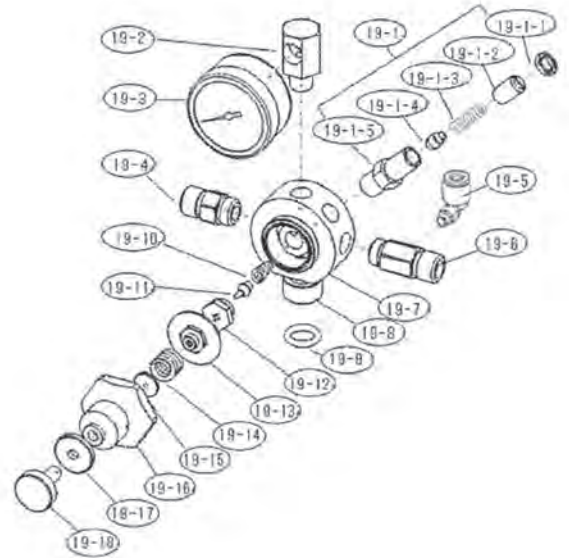


FEATURES:

- Max. Operating Pressure: 50.5 psi
- Fluid Nipple: G 3/8"
- Capacity: 2 qt
- Tank: Aluminum
- Temperature Range: 5-40°C / 41-104°F

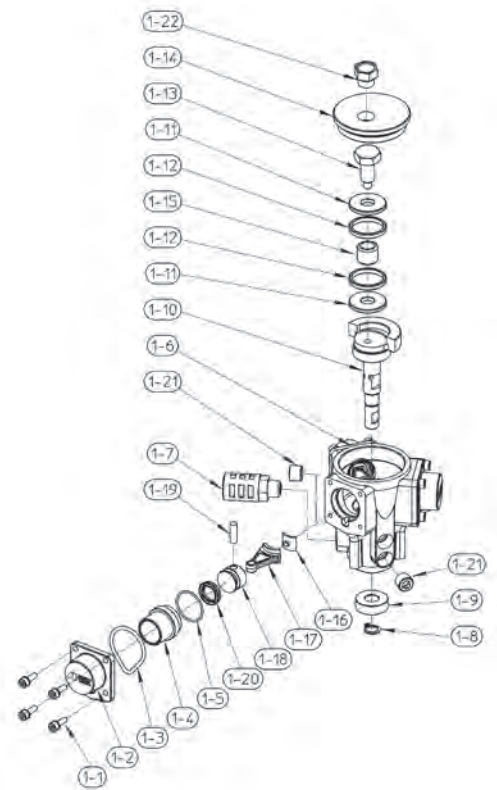
PC-18DM REGULATOR

Ref.	Code	Description
	6053	PC-18DM
19-1	94007350	SAFETY VALVE
19-1-1	94012350	PLUG
19-1-2	94058350	HEX NUT
19-1-3	94010350	SPRING
19-1-4	94009350	SAFETY VALVE SEAT
19-1-5	94008350	SAFETY VALVE BODY
19-2	94004110	PRESSURE GAUGE JOINT
19-3	97990545	PRESSURE GAUGE
19-4	94027350	JOINT
19-5	96805407	ELBOW UNION
19-6	94004250	AIR JOINT
19-7	94049350	BODY SET
19-8	N/A	N/A
19-9	96631012	O RING
19-10	94016350	SEAT SPRING
19-11	94017350	PRESSURE REGULATOR SEAT
19-12	94018350	GUIDE
19-13	94019350	DIAPHRAM SET
19-14	94023350	SPRING
19-15	94038350	SPRING SEAT
19-16	94074350	CAP
19-17	94025350	NUT
19-18	94026350	KNOB

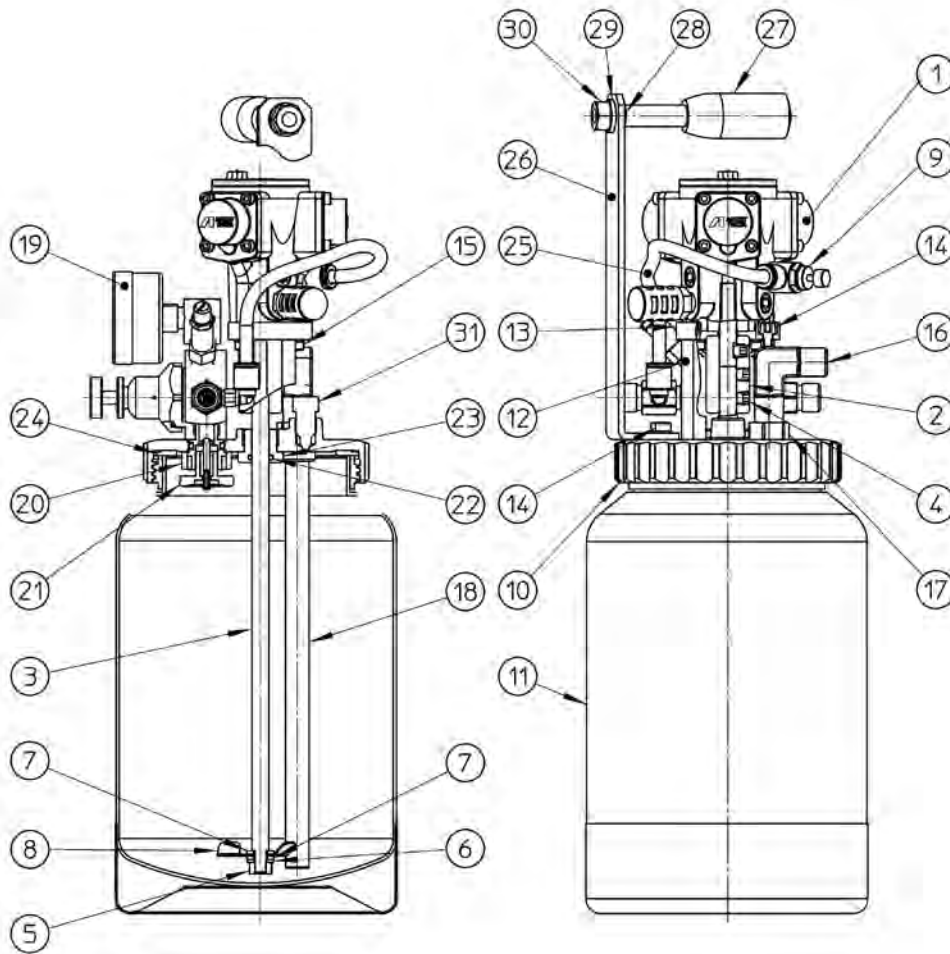


PC-18DM AIR MOTOR (AM-7B)

Ref.	Code	Description
	6053	PC-18DM
1-1	96357505	HEX SOCKET HEAD BOLT (12 pcs.)
1-2	95000020	PISTON LID (3 pcs.)
1-3	96997044	O-RING (3 pcs.)
1-4	95000030	CYLINDER (3 pcs.)
1-5	96637816	O-RING (3 pcs.)
1-6	95000190	MAIN BODY ASSEMBLY
1-7	97500050	MUFFLER
1-8	96616080	STOPPER
1-9	97115082	BALL BEARING
1-10	95000290	CRANK SHAFT ASSEMBLY
1-11	95000070	BALL BEARING (2 pcs.)
1-12	95000080	CRANK SHAFT (2 pcs.)
1-13	95000090	WASHER
1-14	95000121	RING
1-15	97160081	BOLT
1-16	95000240	CAP
1-17	95000140	NEEDLE BEARING (3 pcs.)
1-18	95000151	CRANK PACKING (3 pcs.)
1-19	95000160	CONNECTING ROD (3 pcs.)
1-20	95000230	PISTON
1-21	96990425	PISTON PIN (2 pcs.)
1-22	97500060	Y-TYPE SEAL RING



PC-18DM 2 QUART PRESSURE POT



PC-18DM SPARE PARTS

Ref.	Code	Description
	6053	PC-18DM
1	8161B	AIR MOTOR (AM-7B)
2	95000300	SHAFT COUPLING
3	94004180	MIXING SHAFT
4	96210606	SCREW (3 pcs.)
5	96361062	NUT
6	96362060	SPRING WASHER
7	96363060	WASHER (2 pcs.)
8	96996320	MIXING BLADE
9	97992458	SPEED CONTROLLER
10	N/A	LID
11	94000351	CONTAINER SET
12	94004120	POST (3 pcs.)
13	94004130	BASE
14	96357506	HEX SOCKET HEAD BOLT WITH WASHER (5 pcs.)
15	96350416	HEX SOCKET HEAD BOLT (3 pcs.)

Ref.	Code	Description
16	96858002	ELBOW
17	94004151	JOINT
18	94004171	SUCTION PIPE
19	94004100	REGULATOR SET
20	94058350	NUT
21	94904151	CHECK VALVE SEAT
22	96997065	O-RING
23	94004200	PACKING HOLDER
24	94900210	LID PACKING
25	94004260	TUBE
26	94004160	HANDLE
27	96992141	GRIP
28	96470804	WASHER
29	96500804	SPRING WASHER
30	96382086	NUT
31	94003350	RELEASE VALVE

PET-10 2.5 GALLON PRESSURE POT

FEATURES

- Heavy duty pressure pot features a removable stainless steel inner tank liner and stainless steel pick up tube for easy cleaning
- Suitable for use with both solvent and waterborne materials using any ANEST IWATA pressure feed spray gun
- Includes dual regulators for independent control of fluid and air pressures
- Features standard 1/4" air inlet and 3/8" fluid inlet with a maximum operating pressure of 58 PSI



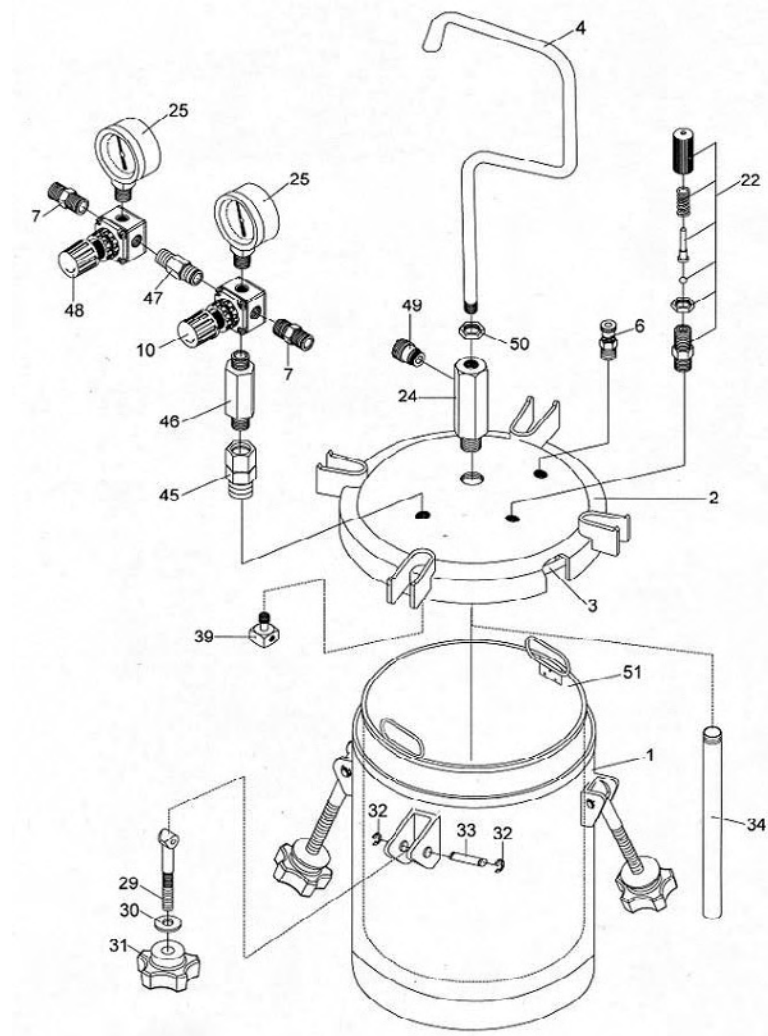
Technical	
Max Operating Pressure	58 PSI
Air Inlet/Outlet Joint	G1/4"
Fluid Outlet Joint	G3/8"
Capacity	2.6 gal
Inner Tank Capacity	2.2 gal - Stainless Steel
Weight	24.25 lbs
Dimensions	12.2 x 12.2 x 22.2 in
Temperature Range	41-104°F / 5-40°C



Removable Inner Tank Liner
in Stainless Steel



PET-10 2.5 GALLON PRESSURE POT



PET-10 SPARE PARTS

Ref.	Code	Description
	6315	PET-10 2 GALLON PRESSURE POT
	04020000	MAIN BODY
2	04020010	LID ASSEMBLY
3	04020200	LID PACKING
4	04020020	HANDLE
6	04020030	EXHAUST VALVE
7	94020210	AIR INLET JOINT / OUTLET JOINT G1/4"
10	94008260	PRESSURE REGULATOR (FOR TANK)
22	04016390	SAFETY VALVE
24	04020040	FLUID OUTLET CONNECTING JOINT SUS 303
25	04016020	PRESSURE GAUGE
29	04020190	HANDLE BOLT
30	04020060	WASHER

Ref.	Code	Description
31	04020070	THUMB NUT
32	04020220	C-SNAP RING
33	04020230	STUD
34	04020090	SUCTION PIPE SUS 303
39	94016310	AIR FLOW GUIDE
45	94020100	ADAPTER
46	94020110	ADAPTER
47	94020120	ADAPTER
48	04020130	PRESSURE REGULATOR (FOR GUN)
49	04020140	FLUID OUTLET JOINT SUS 303 3/8"
50	04020160	NUT
51	04020170	INNER TANK SUS 304

FEATURES

- Available in sizes ranging from 10L to 80L
- Available in pneumatic agitated and manual configurations
- Precision machined tank closure system allows for easy access



PT-40D



PT-10D

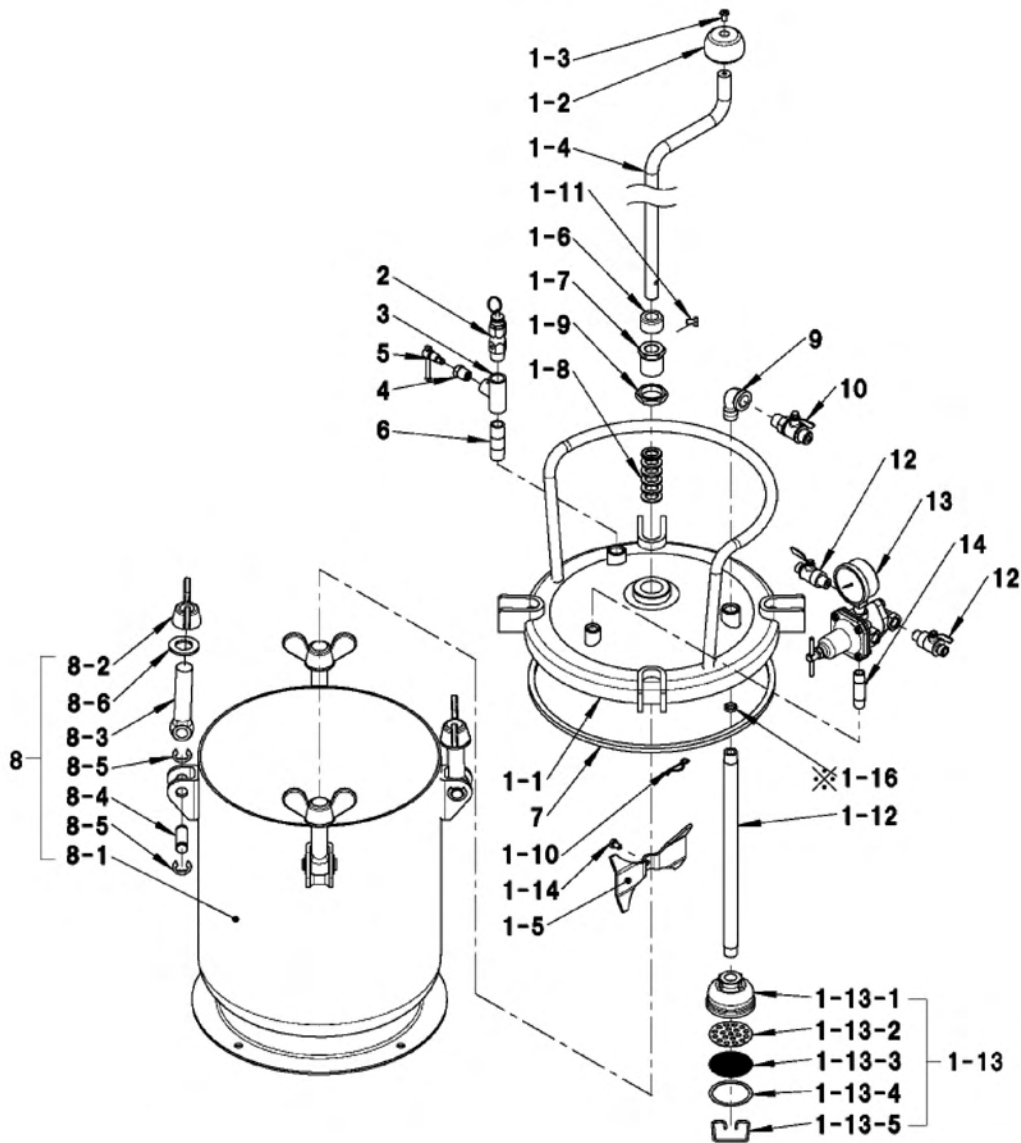


ORDER Information - PT-10D | PT-20D | PT-40D | PT-60D | PT-80D - MANUAL AGITATION

Code	Model	Capacity (GAL)	Max Pressure (bar/psi)	Approx Dimensions HxLxW (in)	Weight (lbs)	safety valve	Air Regulator	Temp Range
6301B	PT-10D	2.6	3.4 / 49.3	21.5 x 14.6 x 12.4	28	SVB-8-35	RR-56B	41-104°F
6303B	PT-20D	5.2		25.7 x 15.4 x 13	43			
6304	PT-40D	10.5	1.8 / 26.1	27.6 x 18.3 x 18.1	59.5	SVB-8-19		
6316	PT-60D	15.9		34.8 x 18.3 x 19.7	77.1			
6318	PT-80D	21.1		41.1 x 18.3 x 19.7	84.9			

Air inlet & Outlet Fitting: G1/4"
 PT10D & PT20D: Fluid Outlet Fitting: G3/8" x 1
 PT-40D & PT-60D & PT-80D: Fluid Outlet Fitting: G3/8" x 2

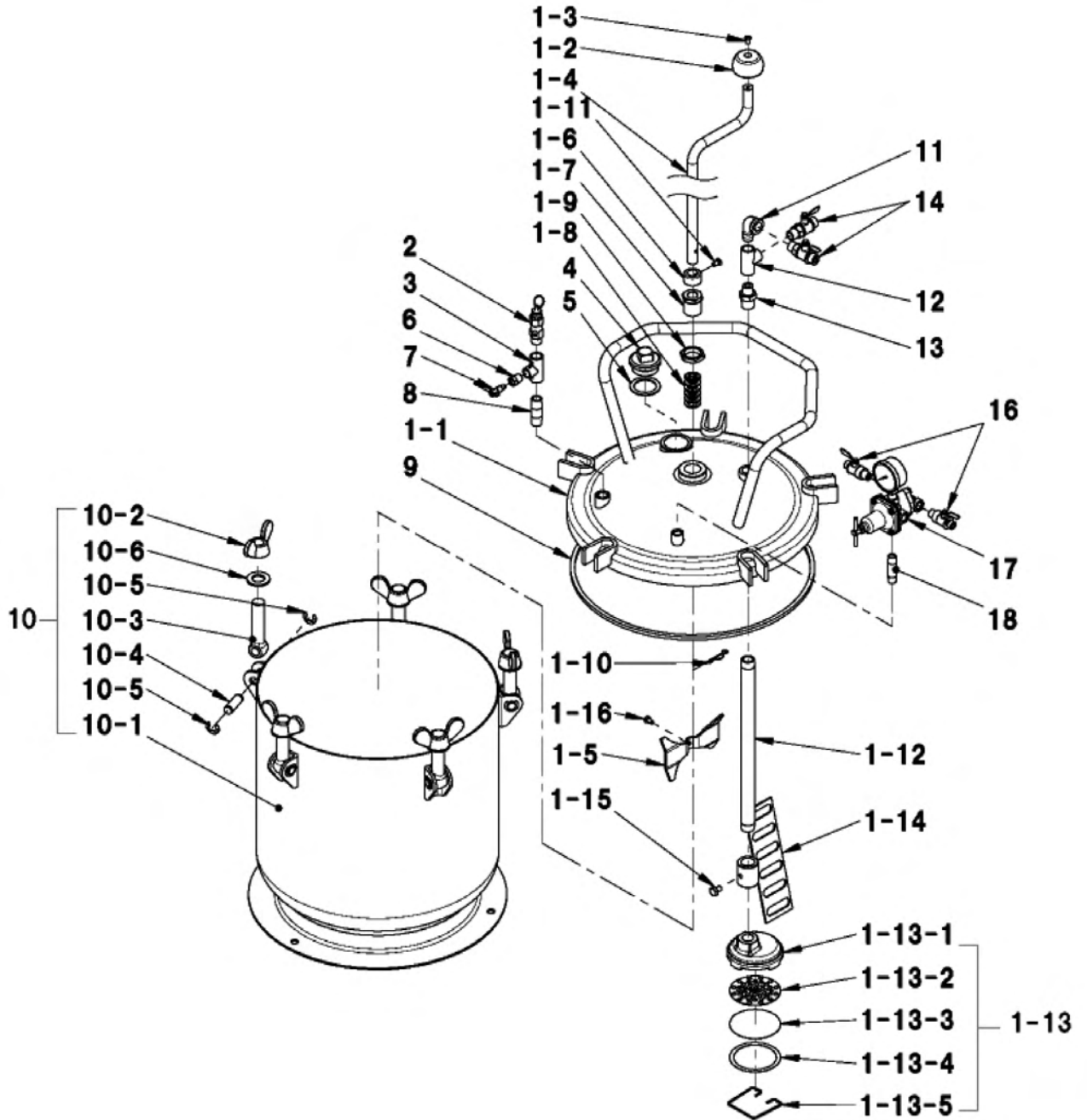




PT-10D | PT-20D SPARE PARTS

Ref.	Code	Description
1	PT-10D-1	LID SET
1-1	94907103	LID SET WITH HANDLE
1-2	94112200	KNOB
1-3	96156049	SCREW
1-4	94115102	MIXING SHAFT
1-5	94116204	MIXING BLADE
1-6	94123201	JOINT SHAFT
1-7	94128200	PACKING SEAT
1-8	94906001	PACKING SET
1-9	94124200	HEXAGON NUT
1-10	96559100	SNAP PIN - PT-10D
1-11	96260645	HEXAGON BOLT
1-12	94120102	SUCTION PIPE
1-13	94913200	SUCTION FILTER SET
1-13-1	94140200	SUCTION FILTER BODY
1-13-2	94141200	SUCTION FILTER SUPPORT
1-13-3	94930700	FILTER (2PCS/PK)
1-13-4	94143200	SUCTION FILTER RING
1-13-5	94144202	SUCTION FILTER RETAINER
1-14	96360067	HEXAGON BOLT

Ref.	Code	Description
2	SVB-8-35	SAFETY VALVE
3	94133100	TEE JOINT
4	94166200	EXHAUST VALVE BODY
5	94915200	EXHAUST VALVE STEM SET
6	94134100	LONG NIPPLE RR56B
7	94106102	PACKING LID
8	PT-10D-2	TANK SET
8-1	94915103	PAINT TANK SET
8-2	94155201	NUT
8-3	94156202	BOLT
8-4	94157202	BOLT PIN
8-5	96610120	STOPPER
9	94168100	ELBOW
9-1	96640003	ELBOW
9-2	96642003	NIPPLE
10	94170100	FLUID COCK
12	97233102	BALL VALVE
13	RR-56B	REGULATOR
14	94169100	LONG PIPE
	PCT-10W	INNER CONTAINER



PT-40D | PT-60D | PT-80D SPARE PARTS

Ref.	Code	Description	PT-40D	PT-60D	PT-80D
1	PT-40D-1	LID SET	X	X	X
1	PT-60D-1	LID SET	X	X	X
1	PT-80D-1	LID SET	X	X	X
1-1	94907412	LID SET WITH HANDLE	X	X	X
1-2	94112200	KNOB	X	X	X
1-3	96156049	SCREW	X	X	X
1-4	94115402	MIXING SHAFT	X	X	X
1-5	94116204	MIXING BLADE	X	X	X
1-6	94123201	JOINT-SHAFT	X	X	X
1-7	94128200	PACKING SEAT	X	X	X
1-8	94906001	PACKING SET	X	X	X
1-9	94124200	HEXAGON NUT	X	X	X
1-10	96559000	SNAP PIN	X	X	X
1-11	96260645	HEXAGON BOLT	X	X	X
1-12	94120452	SUCTION PIPE	X	X	X
1-12	94120652	SUCTION PIPE	X	X	X
1-12	94120852	SUCTION PIPE	X	X	X
1-13	94913450	SUCTION FILTER SET	X	X	X
1-13-1	94140451	SUCTION FILTER BODY	X	X	X
1-13-2	94141450	SUCTION FILTER SUPPORT	X	X	X
1-13-3	94935690	FILTER (2PCS/PK)	X	X	X
1-13-4	94143450	SUCTION FILTER RING	X	X	X
1-13-5	94144452	SUCTION FILTER RETAINER	X	X	X
1-14	94121454	PLATE SET	X	X	X
1-15	96260866	HEXAGON BOLT	X	X	X
1-16	96260645	HEXAGON BOLT	X	X	X
2	SVB-8-19	SAFETY VALVE	X	X	X
3	94133100	TEE JOINT	X	X	X
4	94147450	PAINT INLET CAP	X	X	X
5	94125151	PACKING	X	X	X
6	94166200	EXHAUST VALVE BODY	X	X	X
7	94915200	EXHAUST VALVE STEM SET	X	X	X
8	94134100	LONG NIPPLE RR56B	X	X	X
9	94106453	PACKING-LID	X	X	X
10	PT-40D-2	TANK SET	X	X	X
10	PT-60D-2	TANK SET	X	X	X
10	PT-80D-2	TANK SET	X	X	X
10-1	94905453	PAINT TANK ASSY	X	X	X
10-1	94905653	PAINT TANK ASSY	X	X	X
10-1	94905853	PAINT TANK ASSY	X	X	X
10-2	94155201	NUT	X	X	X
10-3	94156202	BOLT	X	X	X
10-4	94157202	BOLT PIN	X	X	X
10-5	96610120	STOPPER	X	X	X
10-6	94010440	WASHER	X	X	X
11	94168100	ELBOW	X	X	X
12	94137100	TEE	X	X	X
13	96671603	NIPPLE	X	X	X
14	94170100	FLUID COCK	X	X	X
16	97233102	BALL VALVE	X	X	X
17	RR-56B	REGULATOR	X	X	X
18	94169100	LONG PIPE	X	X	X
0	PTC-40W	INNER CONTAINER	X	X	X
0	PTC-60W	INNER CONTAINER	X	X	X
0	PTC-80W	INNER CONTAINER	X	X	X



PT-10DM

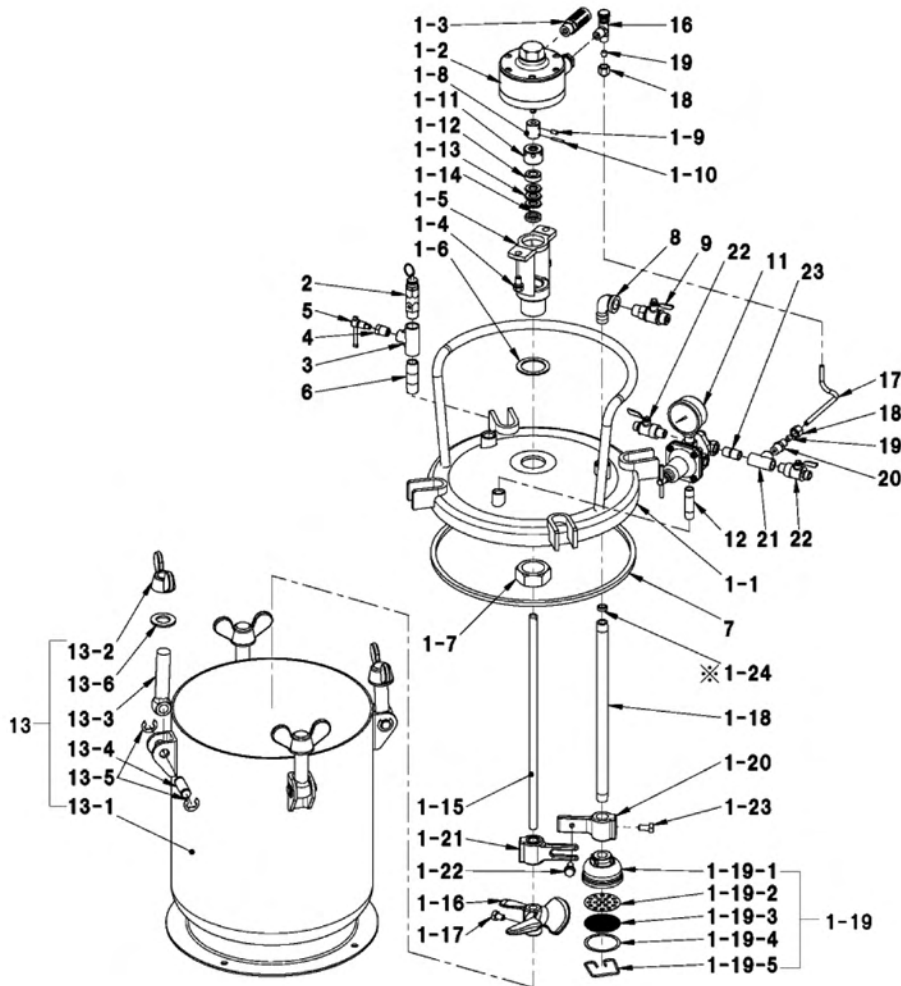


ORDER Information - PT-10DM | PT-20DM | PT-40DM | PT-60DM | PT-80DM - AUTOMATIC AGITATION

Code	Model	Capacity (GAL)	Max Pressure (bar/psi)	Approx Dimensions HxLxW (in)	Weight (lbs)	safety valve	Air Regulator	Temp Range
6302B	PT-10DM	2.6	3.4 / 49.3	19x 14.6 x 12.4	29.8	SVB-8-35	RR-56B	41~104°F
6300B	PT-20DM	5.2		23.2 x 15.4 x 13	50.7			
6305B	PT-40DM	10.5	1.8 / 26.1	25.5 x 18.3 x 18.1	67.2	SVB-8-19		
6317	PT-60DM	15.9		32.6 x 18.3 x 19.7	82.7			
6319	PT-80DM	21.1		39.4 x 18.3 x 19.7	92.6			

Air inlet & Outlet Fitting: G1/4"
 PT10DM & PT20DM: Fluid Outlet Fitting: G3/8" x 1
 PT-40DM & PT-60DM & PT-80DM: Fluid Outlet Fitting: G3/8" x 2

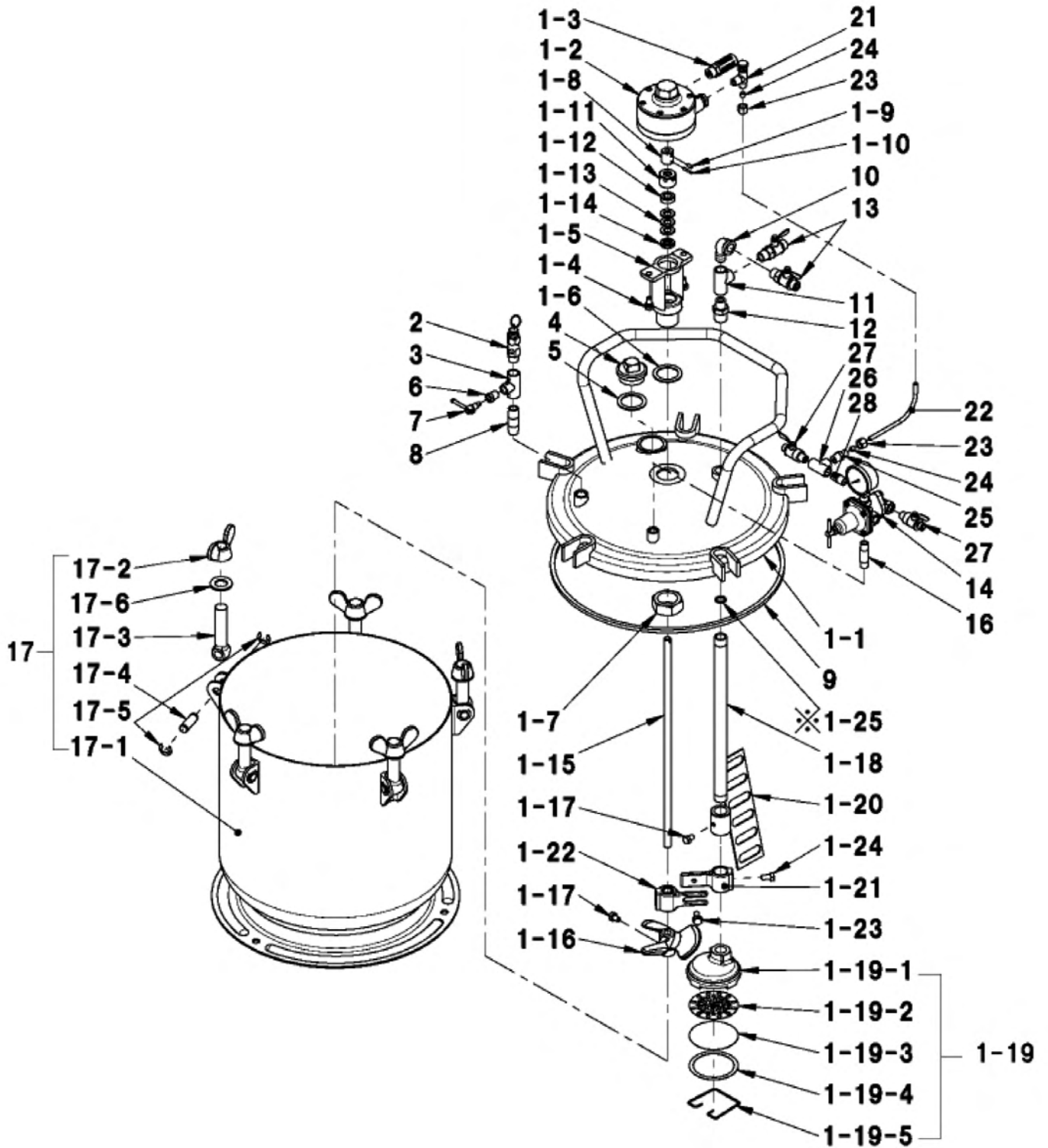




PT-10DM | PT-20DM SPARE PARTS

Ref.	Code	Description
1A	94118250	MUFFLER
1	AM-5C	AIR MOTOR
2	94123151	JOINT SHAFT
3	94128151	PACKING SEAT
4	94109100	PACKING ADAPTOR
5	94187110	V PACKING (3PCS)
6	94109100	PACKING ADAPTOR
7	94126010	AIR MOTOR STAY
8	94125151	PACKING
9	AV-31	AIR VALVE
10	94174150	JOINT RING
11	96805060	JOINT NUT
12	96210606	SCREW
13	96572516	SPLIT PIN
14	94168100	ELBOW
15	94170100	FLUID PETCOCK
16	97233102	BALL VALVE
17	RR-56B	REGULATOR
18	94136100	NIPPLE
19	91909400	NYLON TUBE
20	96807062	HALF UNION
21	94135100	JOINT
22	94169100	LONG PIPE
23	94106102	LID GASKET
24	94124030	NUT

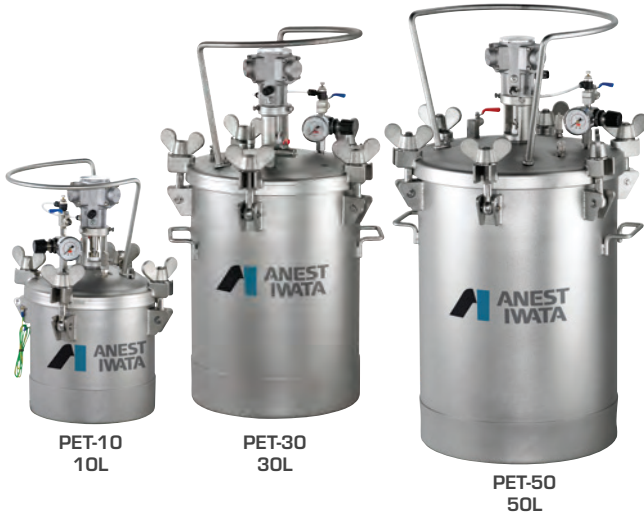
Ref.	Code	Description
25	94127030	PACKING FLUID PICK UP
26	94120102	SUCTION PIPE
27	94917000	BAND
28	96260868	HEXAGON BOLT
29	94115151	MIXING SHAFT
30	94118153	SUPPORT BAND
31	96135820	BOLT
32	95031150	MIXING BLADE
33	96260665	HEXAGON BOLT
34	94913200	SUCTION FILTER SET COMPLETE
35	94140200	SUCTION FILTER BODY
36	94141200	SUCTION FILTER SUPPORT
37	94930700	FILTER (2X)
38	94143200	SUCTION FILTER RING
39	94144202	SUCTION FILTER RETAINER
40	SVB-8-35	SAFETY VALVE
41	94915200	EXHAUST VALVE STEM SET
42	94166200	EXHAUST VALVE BODY
43	94133100	TEE JOINT
44	94134100	LONG NIPPLE RR56B
45	94155201	NUT
46	94156202	BOLT
47	94157202	BOLT PIN
48	96610120	STOPPER
	PTC.10W	STAINLESS STEEL INNER LINER (NOT SHOWN)



PT-40DM | PT-60DM | PT-80DM SPARE PARTS

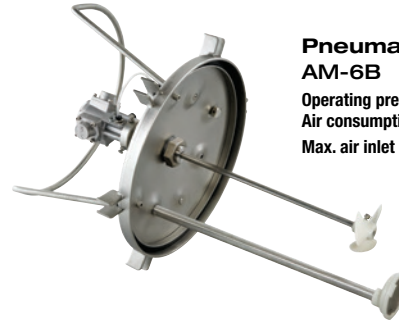
Ref.	Code	Description	PT-40DM	PT-60DM	PT-80DM
1	PT-40DM-1	LID SET	X	X	X
1-1	94907462	LID SET	X	X	X
1-2	AM-3C	AIR MOTOR	X	X	X
1-3	94118250	MUFFLER	X	X	X
1-4	96136816	BOLT WITH WASHER	X	X	X
1-5	94126030	AIR MOTOR STAY	X	X	X
1-6	94125151	PACKING	X	X	X
1-7	94124030	NUT	X	X	X
1-8	94123451	JOINT-SHAFT	X	X	X
1-9	96210510	SCREW	X	X	X
1-10	96573020	SPRING PIN	X	X	X
1-11	94128451	PACKING SEAT	X	X	X
1-12	94109400	PACKING MALE ADAPTOR	X	X	X
1-13	94934701	V PACKING (3PCS/PK)	X	X	X
1-14	94109400	PACKING MALE ADAPTOR	X	X	X
1-15	94115452	MIXING SHAFT	X	X	X
1-16	94116451	MIXING BLADE	X	X	X
1-17	96260866	HEXAGON BOLT	X	X	X
1-18	94120452	SUCTION PIPE	X	X	X
1-19	94913450	SUCTION FILTER SET	X	X	X
1-19-1	94140451	SUCTION FILTER BODY	X	X	X
1-19-2	94141450	SUCTION FILTER SUPPORT	X	X	X
1-19-3	94935690	FILTER (2PCS/PK)	X	X	X
1-19-4	94143450	SUCTION FILTER RING	X	X	X
1-19-5	94144452	SUCTION FILTER RETAINER	X	X	X
1-20	94121454	PLATE SET	X	X	X
1-21	94117453	BAND	X	X	X
1-22	94912451	SUPPORT BAND SET	X	X	X
1-23	96135820	BOLT	X	X	X
1-24	96260868	HEXAGON BOLT	X	X	X
2	SVB-8-19	SAFETY VALVE	X	X	X
3	94133100	TEE JOINT	X	X	X
4	94147450	PAINT INLET CAP	X	X	X
5	94125151	PACKING	X	X	X
6	94166200	EXHAUST VALVE BODY	X	X	X
7	94915200	EXHAUST VALVE STEM SET	X	X	X
8	94134100	LONG NIPPLE RR56B	X	X	X
9	94106453	PACKING-LID	X	X	X
10	94168100	ELBOW	X	X	X
11	94137100	TEE	X	X	X
12	96671603	NIPPLE	X	X	X
13	94170100	FLUID COCK	X	X	X
14	RR-56B	REGULATOR	X	X	X
16	94169100	LONG PIPE	X	X	X
17	PT-40DM-2	TANK SET	X	X	X
17-1	94905453	PAINT TANK ASSY	X	X	X
17-2	94155201	NUT	X	X	X
17-3	94156202	BOLT	X	X	X
17-4	94157202	BOLT PIN	X	X	X
17-5	96610120	STOPPER	X	X	X
17-6	94010440	WASHER	X	X	X
21	AV-31	AIR VALVE	X	X	X
22	91909400	NYLON TUBE 1M	X	X	X
23	96805060	JOINT NUT	X	X	X
24	94174150	JOINT RING	X	X	X
25	96807062	HALF UNION	X	X	X
26	94135100	JOINT	X	X	X
27	97233102	BALL VALVE	X	X	X
28	94136100	NIPPLE	X	X	X
0	PTC-40W	INNER CONTAINER	X	X	X

PET-10N/MN | PET-30N/MN | PET-50N/MN



FEATURES

- Stainless steel vessel with polished interior & SST pickup tube
- Available in sizes from 10L to 50L in both agitated and non-agitated configurations
- Quiet and efficient three-piston agitators on MN models



Pneumatic Agitator AM-6B

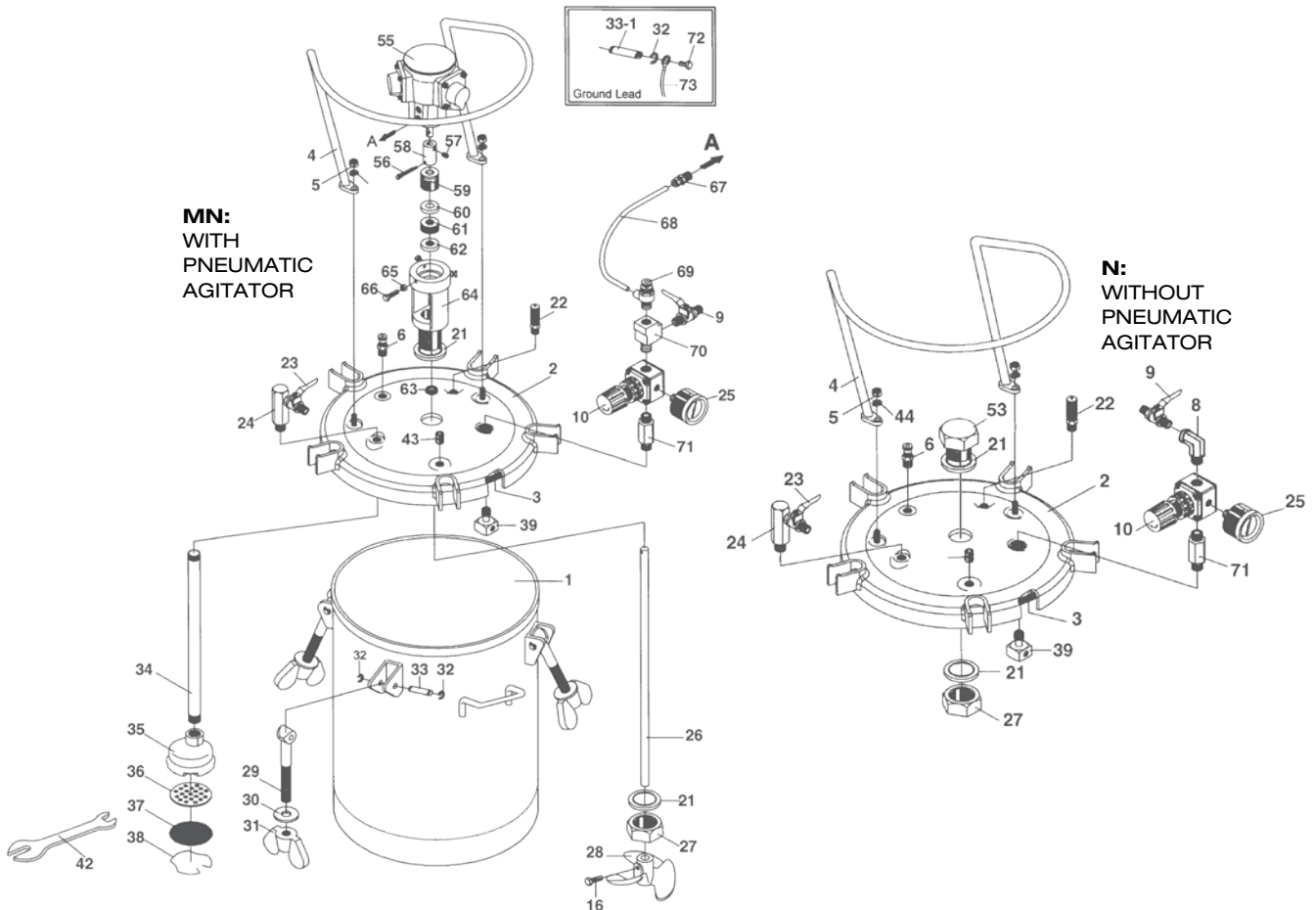
Operating pressure: 1-1.5 bar (14.5-21.8 psi)
Air consumption: 15 Liter/min
Max. air inlet pressure: 7.0 bar (100 psi)

ORDER Information - PET-10N/MN | PET-30N/MN | PET-50N/MN

Code	Model	Capacity (L)	Max Pressure (bar/psi)	Approx Dimensions HxLxW (in)	Weight (lbs)	Air Inlet Joint	Fluid Outlet Joint	Working Temp
6340	PET-10N	10	7 bar (100 psi)	21.3 x 13	33.7	G 1/4" M	G 3/8" M	5-40° C 41-104° F
6341	PET-10MN WITH PNEUMATIC AGITATOR				38.6			
6335	PET-30N	30		28 x 16.3	45			
6336	PET-30MN WITH PNEUMATIC AGITATOR				49.8			
6342	PET-50N	50		31.9 x 18.5	33.7			
6343	PET-50MN WITH PNEUMATIC AGITATOR				62.2			

MN:
WITH
PNEUMATIC
AGITATOR

N:
WITHOUT
PNEUMATIC
AGITATOR



SPARE PARTS

Ref.	Code	Description	10N	10MN	30N	30MN	50N	50MN
3	04015110	LID PACKING	X	X				
3	04015240	LID PACKING			X	X		
3	04016170	LID PACKING					X	X
4	04015250	HANDLE			X	X		
4	04019250	HANDLE	X	X				
4	04016180	HANDLE					X	X
5	04015140	HEXAGON NUT	X	X	X	X	X	X
6	04015150	EXHAUST VALVE	X	X	X	X	X	X
8	04015460	ELBOW	X		X		X	
9	04015170	TWO WAY VALVE (Air Inlet)	X	X	X	X	X	X
10	94015180	AIR PRESSURE REGULATOR	X	X	X	X	X	X
16	04019040	HEAD BOLT		X		X		X
21	04019100	SEALING RING	X	X	X	X	X	X
22	04002211	SAFETY VALVE	X	X	X	X	X	X
23	04015450	TWO WAY VALVE (Fluid outlet)	X	X	X	X	X	X
24	04015470	FLUID OUTLET ADAPTER	X	X	X	X	X	X
25	04016190	PRESSURE GAUGE	X	X	X	X	X	X
26	04016400	ROD + COUPLIING (56+57+58)		X				
26	04016410	ROD + COUPLIING (56+57+58)				X		
26	04016420	ROD + COUPLIING (56+57+58)						X
27	04019120	FIXING NUT	X	X	X	X	X	X
28	04016430	PROPELLER		X		X		X
29	04015490	SWING BOLT	X	X	X	X	X	X
30	04016200	WASHER	X	X	X	X	X	X
31	04016210	THUMB NUT	X	X	X	X	X	X
32	94020220	E-STOPPER	X	X	X	X	X	X
33	94020230	PIN	X	X	X	X	X	X
33-1	04016440	PIN (SUS)	X	X	X	X	X	X
34	04016450	SUCTION PIPE	X	X				
34	04016460	SUCTION PIPE			X	X		
34	04016470	SUCTION PIPE					X	X
35	04015270	FILTER COVER			X	X	X	X
35	04016260	FILTER COVER	X	X				
36	04015280	FILTER BASE			X	X	X	X
36	04016270	FILTER BASE	X	X				
37	04015290	FILTER (40 Mesh)			X	X	X	X
37	04016280	FILTER (40 Mesh)	X	X				
38	04015300	FILTER STOPPER			X	X	X	X
38	94016290	FILTER STOPPER	X	X				
39	94016310	AIR FLOW GUIDE	X	X	X	X	X	X
43	06990412	HEX. SOCKET SCREW			X	X	X	X
44	06500804	SPRING WASHER	X	X	X	X	X	X
53	04016480	HEAD BOLT	X		X		X	
55	AM-6B	PNEUMATIC AIR MOTOR		X		X		X
59	04017410	PACKING SEAT		X		X		X
60	04017420	"V" PACKING FEMALE ADAPTOR		X		X		X
61	04017430	"V" PACKING		X		X		X
62	04017440	"V" PACKING MALE ADAPTOR		X		X		X
63	04017450	O-RING		X		X		X
64	04017460	AIR MOTOR SUPPORT		X		X		X
65	04017470	HEX. NUT		X		X		X
66	04017480	HEAD BOLT		X		X		X
67	03014470	QUICK COUPLING		X		X		X
68	04018100	AIR HOSE		X		X		X
69	04018110	SPEED CONTROLLER		X		X		X
70	04018120	ADAPTER		X		X		X
71	04018130	ADAPTER	X	X	X	X	X	X
72	04018140	SCREW	X	X	X	X	X	X
73	04018150	GROUND WIRE	X	X	X	X	X	X

FG-6 | FG-61 | FG-62



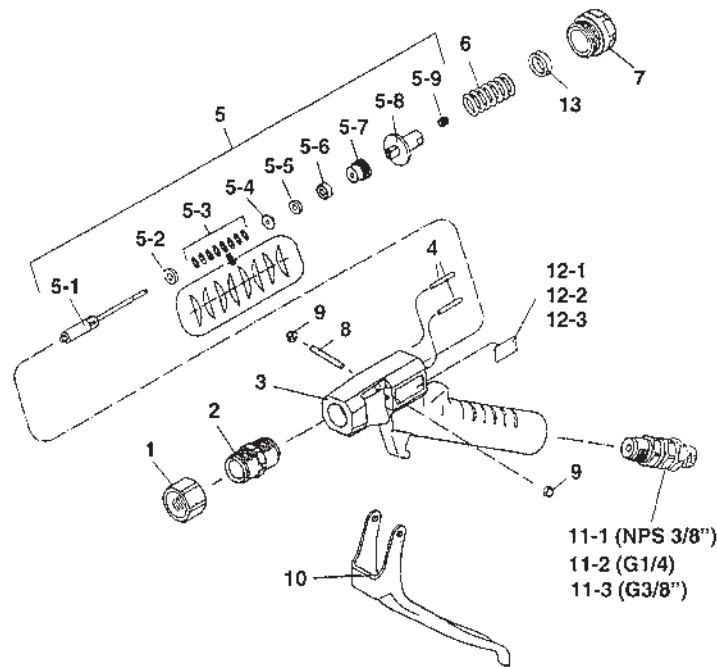
TECHNICAL	bar/psi	Ø mm	g
FG-6	250 / 3,625	3.0	440
FG-61			
FG-62			

FG-61 Air Nipple: G1/4" • FG-62 Fluid Nipple: G3/8"

ORDER Information - FG-6 | FG-61 | FG-62

NOZZLE TIP not INCLUDED

Code	Description
7006B	FG-6 FLOW GUN (NPS 3/8")
7007B	FG-61 FLOW GUN (BSP 1/4")
7005B	FG-62 FLOW GUN (BSP 3/8")



SPARE PARTS

Ref.	Code	Description	
1	93546200	NOZZLE TIP HOLDER	
2	93807200	NOZZLE GLAND SET	
4	93574200	NEEDLE SEAT	
5	93808200	FLUID NEEDLE SET	
5-1	93809200	NEEDLE BAR SET	
5-2	93504180	SPRING HOLDER	
5-3	93844170	CONICAL SPRING WASHER	8 pcs./1 pk.
5-4	93067951	PACKING HOLDER	
5-5, 5-6	93846170	NEEDLE PACKING SET	
5-7	93505180	NEEDLE PACKING SEAT	
5-8	93500190	NEEDLE SPRING HOLDER	

Ref.	Code	Description	
5-9	96994603	SCREW	
6	93501190	NEEDLE SPRING	
7	93502190	NEEDLE SPRING SEAT	
8	93505200	TRIGGER STUD	
9	96994103	HEXAGON CAP NUT	2 pcs./1 pk.
10	93811200	TRIGGER SET	
11-1	93810200	UNIVERSAL JOINT	NPS 3/8"
11-2	93813200	UNIVERSAL JOINT	G 1/4"
11-3	93814200	UNIVERSAL JOINT	G 3/8"
13	93638200	COLLAR (option)	



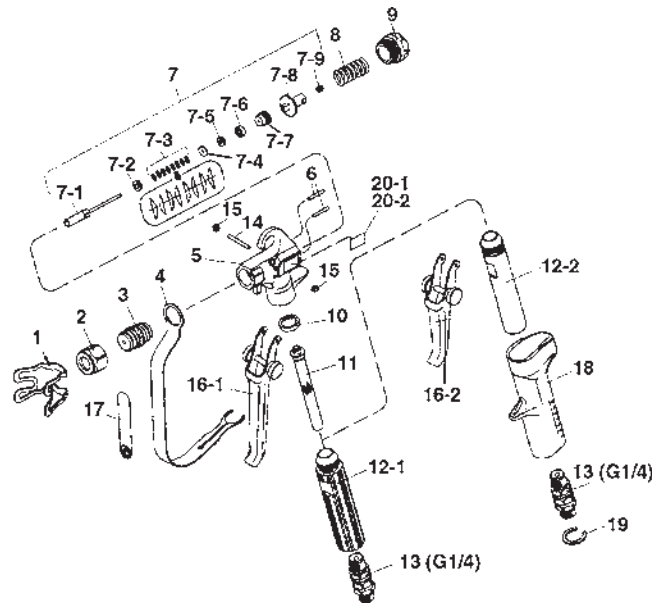
TECHNICAL	bar/psi	mesh	g
ALG-7	250 / 3,600	100	440
ALG-72			415
ALG-73			450

Fluid Nipple: G1/4"

ORDER Information - ALG-7 | ALG-72 | ALG-73

NOZZLE TIP not INCLUDED

Code	Description	
7041	ALG-7 AIRLESS SPRAY GUN	Large Trigger
7003B	ALG-72 AIRLESS SPRAY GUN	Small Trigger
7043	ALG-73 AIRLESS SPRAY GUN	Large Trigger



SPARE PARTS

Ref.	Code	Description	
	03235590	TIP PACKING	
1	93501170	HAND GUARD	
2	93503170	NOZZLE GLAND	11/16"
3	93803170	NOZZLE GLAND SET UNIVERSAL	11/16"
4	93504170	SAFETY GUARD	
6	93502180	NEEDLE SEAT	
7	93807170	NEEDLE SET	
7-1	93808170	NEEDLE BAR SET	
7-2	93504180	SPRING HOLDER	
7-3	93844170	CONICAL SPRING WASHER	8 pcs./1 pk.
7-4	93067951	PACKING HOLDER	
7-5, 7-6	93906100	NEEDLE PACKING SET	
7-7	93505180	NEEDLE PACKING SEAT	
7-8	93500190	NEEDLE SPRING HOLDER	
7-9	96994603	SCREW	

Ref.	Code	Description	
8	93501190	NEEDLE SPRING	
9	93502190	NEEDLE SPRING SEAT	
10	93529180	PACKING	
11	93841170	FILTER 100 Mesh	2 pcs./1 pk.
12-1	93503190	HANDLE	ALG-7, ALG-72
12-2	93511180	HANDLE	ALG-72
12-3	93510190	HANDLE	ALG-73
13	93003951	UNIVERSAL JOINT	G 1/4"
14	93504190	TRIGGER S TUD	
15	96994103	HEX. CAP NUT	
16-1	93805180	TRIGGER SET (LARGE)	ALG-7, ALG-73
16-2	93806180	TRIGGER SET (SMALL)	ALG-72
18	93507190	OUTER HANDLE	
19	93525170	STOPPER	ALG-72

MSGS-200 120S / 120L / 250S / 250L

MSGS-200

MULTI SPRAY SERIES



MSGS-200
120S



MSGS-200
120L



MSGS-200
250S



MSGS-200
250L

FEATURES

- MSGS-200 combines the advantages of airless technology (speed, low overspray) with the advantages of conventional technology (excellent finishing) resulting in a product with high transfer efficiency and excellent finish quality
- The MSGS-200 features a soft trigger pull, optimal ergonomics and is perfectly balanced to reduce fatigue
- Chrome plated gun body for easy cleaning and maintenance
- Quick and easy cap rotation
- Plastic protection and PTFE packing make cap adjustment a simple and precise operation

TECHNICAL

	bar/psi	bar/psi	mesh	g
MSGS-200 120S - Short Filter	1740	7/101.5	100	584
MSGS-200 120L - Long Filter			Not Included	537
MSGS-200 250S - Short Filter	3626		100	587
MSGS-200 250L - Long Filter			Not Included	545

Air Nipple: G1/4" • Fluid Nipple: G1/4"

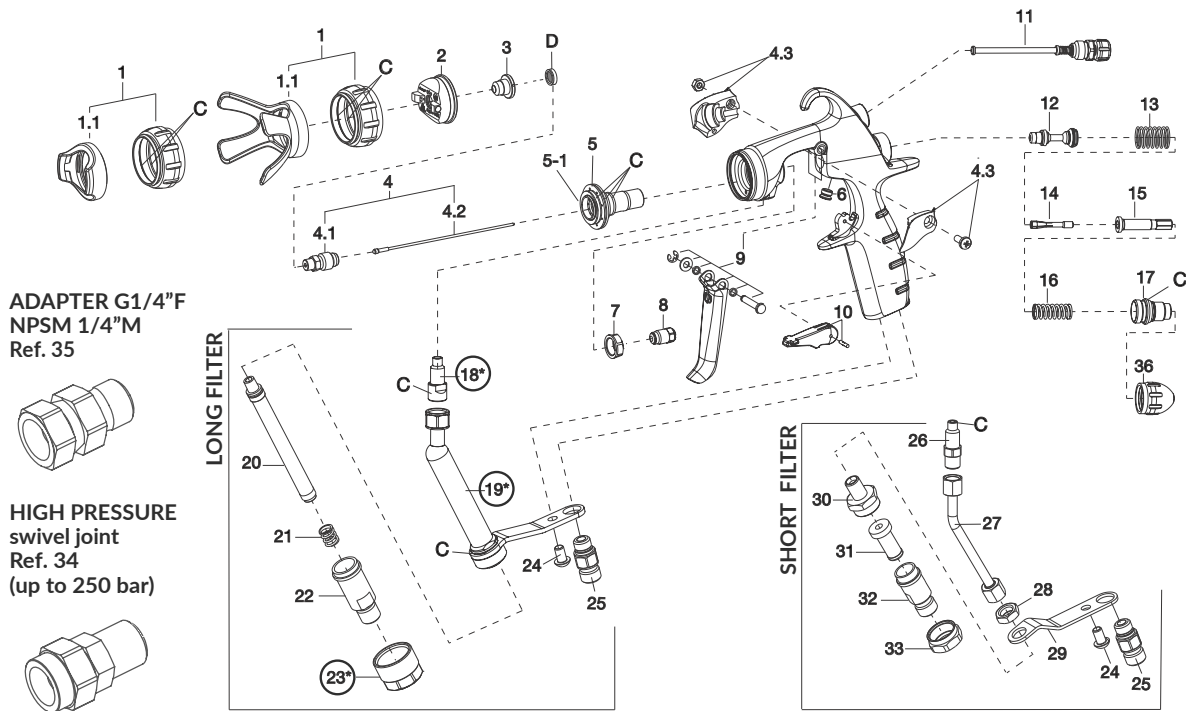
ORDER Information - MSGS-200 SERIES

NOZZLE TIP not INCLUDED

Code	Description	Filter	Connection	Pump Model
7506S	MSGS-200 120S MULTI SPRAY GUN	Short	BSPP	MSU
7506L	MSGS-200 120L MULTI SPRAY GUN	Long	BSPP	MSU
7506SN	MSGS-200 120S MULTI SPRAY GUN	Short	NPSM	iCon
7506LN	MSGS-200 120L MULTI SPRAY GUN	Long	NPSM	iCon
7507S	MSGS-200 250S MULTI SPRAY GUN	Short	BSPP	MSU
7507L	MSGS-200 250L MULTI SPRAY GUN	Long	BSPP	MSU
7507SN	MSGS-200 250S MULTI SPRAY GUN	Short	NPSM	iCon
7507LN	MSGS-200 250L MULTI SPRAY GUN	Long	NPSM	iCon

Tip Cleaning Needle Kit
W2COM6164





SPARE PARTS

Ref.	Code	Description	Model
1	93004420	AIR CAP COVER	
1-1	93004430	SPRAY TIP GUARD	
1	93004490	AIR CAP COVER	SHORT TYPE
1-1	93004500	SPRAY TIP GUARD	Less than 50 bar!
2	93004320	AIR CAP	
3		NOZZLE TIP	All sizes in the Tip Table page 114
4	93004160	FLUID NOZZLE + FLUID NEEDLE SET	
4-1	93004170	FLUID NOZZLE	
4-2	93004450	FLUID NEEDLE	
4-3	930336A0	NEEDLE PROTECTION KIT	
5	93004230	NOZZLE HOLDER	
5-1	W2KIT100	AIR DISPERSEMENT O-RING	PACK OF 10
6	93004310	PLUG	
7	93004300	NUT	
8	93004410	NEEDLE PACKING SET	
9	93004200	TRIGGER SET	
10	93004190	SAFETY LOCK SET	
11	93004290	PATTERN ADJUSTMENT	
12	93004260	AIR VALVE	
13	93004330	AIR VALVE SPRING	
14	93004240	COLLET	
15	93004250	NEEDLE BUSHING	
16	93004270	NEEDLE SPRING	250 bar
	93004150	NEEDLE SPRING	120 bar
17	93004280	NEEDLE GUIDE	
18*	930144A0	LONG FILTER JOINT	LONG FILTER
19*	930140A0	LONG FILTER CASE	
20	VFM2002	FILTER 50 MESH	LONG FILTER
	VFM2004	FILTER 100 MESH	
	VFM2005	FILTER 150 MESH	
	VFM2006	FILTER 200 MESH	
21	93004380	FILER SPRING	LONG FILTER

Ref.	Code	Description	Model
22	93004360	FILTER JOINT G1/4"	LONG FILTER
	93002270	FILTER JOINT JIC 1/2"	
	93005670	FILTER JOINT NPSM 1/4"	
23*	930138A0	FILTER NUT	LONG FILTER
24	93004350	SCREW	
25	93004340	AIR NIPPLE G1/4"	
26	93004530	FLUID JOINT	SHORT FILTER
27	93004130	FLUID TUBE	
28	93514240	NUT	
29	93004140	PLATE	
30	93514230	SHORT FILTER CASE	
31	VFM2801/S	FILTER 60 MESH	
	VFM2802/S	FILTER 100 MESH	
	VFM2803/S	FILTER 200 MESH	
32	93515230	FILTER JOINT G1/4"	
	93002280	FILTER JOINT JIC 1/2"	
	93005680	FILTER JOINT NPSM 1/4"	
33	93516230	FILTER NUT	
C	93004210	PACKING SET	(8 pcs./1 pk.)
D	93004850	TIP FILTER SET	(5 pcs./1 pk.)
D	93004860	TIP PACKING SET	(5 pcs./1 pk.)
34	03004520	SWIVEL JOINT - BSP	
	93005960	SWIVEL JOINT - NPSM	
35	94006030	ADAPTER G1/4"F - NPSM 1/4"M	
36	93004400	PLUG	
	930155A0	LONG FILTER UPGRADE KIT (18* + 19* + 23*)	
Opt.	9240-05-04 SF	JIC #5 TO BSP 1/4 ADAPTOR	FOR KREMLIN
Opt.	W2COM6164	TIP CLEANING NEEDLE KIT	21mm, 12pcs

MSG-200 120S / 120L / 250S / 250L

TO ORDER USE: NT-63-554-XXX (i.e. 0.013 inch, 50° is NT-63-554-513)

ANEST IWATA COMPARATIVE TIP TABLE

Diameter (inches)	Maker	10°	20° *1	30°	40°	50°	60°	70° *2	80° *3	90°
0.005	ANEST IWATA	105	205							
	KREMLIN	02-034	02-054							
	WAGNER									
	GRACO									
0.007	ANEST IWATA	107	207	307	407	507	607			
	KREMLIN	03-034	03-054	03-074						
	WAGNER	45117	45127							
	GRACO	107	207	307						
0.009	ANEST IWATA	109	209	309	409	509	609	709		
	KREMLIN		04-034	04-074	04-094	04-114				
	WAGNER		45189	45199	14855	18507	22160			
	GRACO	109	209	309	409	509				
0.011	ANEST IWATA			311	411	511	611	711	811	911
	KREMLIN		06-034	06-074	06-094	06-114	06-154			
	WAGNER	45240	45250	45260	14916	18568	22221			
	GRACO	111	211	311	411	511	611	711		
0.013	ANEST IWATA	113	213	313	413	513	613	713	813	913
	KREMLIN		09-034	09-074	09-094	09-114	09-154	09-174		
	WAGNER	13/10	13/20	13/30	13/40	13/50	13/60		13/80	
	GRACO		213	313	413	513	613	713		
0.015	ANEST IWATA	115	215	315	415	515	615	715	815	915
	KREMLIN			12-074	12-094	12-114	12-154	12-174		
	WAGNER	15/10	15/20	15/30	15/40	15/50	15/60		15/80	
	GRACO		215	315	415	515	615	715	815	
0.017	ANEST IWATA	117	217	317	417	517	617	717	817	917
	KREMLIN			14-074	14-094	14-114	14-154	14-174		
	WAGNER		17/20	17/30	17/40	17/50	17/60		17/80	
	GRACO		217	317	417	517	617	717	817	917
0.019	ANEST IWATA	118	218	318	418	518	618	718	818	918
	KREMLIN						18-134	18-154	18-174	
	WAGNER		19/20	19/30	19/40	19/50	19/60		19/80	
	GRACO		219	319	419	519	619	719	819	919
0.021	ANEST IWATA	121	221	321	421	521	621	721	821	
	KREMLIN			20-074	20-094	20-114	20-154	20-174	20-194	
	WAGNER		21/20		21/40	21/50	21/60		21/80	
	GRACO			321	421	521	621	721	821	921
0.022	ANEST IWATA	122	222	322	422	522	622	722	822	922
	KREMLIN							25-174		
	WAGNER				23/40		23/60		23/80	
	GRACO				423	523	623	723		923
0.024	ANEST IWATA		224	324	424	524	624	724	824	924
	KREMLIN					30-114	30-154	30-174	30-194	
	WAGNER				25/40		25/60		25/80	
	GRACO				425		625	725	825	925
0.027	ANEST IWATA		227	327	427	527	627	727	827	927
	KREMLIN									
	WAGNER				27/40		27/60		27/80	
	GRACO					527	627		827	
0.029	ANEST IWATA		229	329	429	529	629	729	829	929
	KREMLIN									
	WAGNER				29/40		29/60		29/80	
	GRACO						629			
0.031	ANEST IWATA		231	331	431	531	631	731	831	931
	KREMLIN									
	WAGNER				31/40		31/60		31/80	
	GRACO				431		631			
0.033	ANEST IWATA		233	333	433	533	633	733	833	933
	KREMLIN									
	WAGNER									
	GRACO						633		833	
0.035	ANEST IWATA		235	335	435	535	635	735	835	935
	KREMLIN									
	WAGNER				35/40		35/60		35/80	
	GRACO				435			737		
0.039	ANEST IWATA			339	439	539	639	739	839	939
	KREMLIN									
	WAGNER									
	GRACO					539	639		839	
0.041	ANEST IWATA			343	443	543	643	743	843	943
	KREMLIN							100-174		100-214
	WAGNER									
	GRACO									

Kremlin Tips actually: *1=18° / *2=67° / *3=82°

*4=Diameters can vary slightly according to maker

** Not all tip sizes stocked - some require special order



iCon-M433N 36:1 | iCon-M333N 32:1

iCon®



FEATURES

- Self-adjusting packings help protect the cylinder from wear as the packings are set in place
- All wetted parts are stainless steel to withstand solvent and waterborne coatings
- Patented air motor with double action pilot valve technologies work through the toughest shop conditions to provide the best reliability during operation
- Hard chrome plated internals create less friction for improved reliability
- Durable fluid valve seats made of carbide improve performance



See following pages for mounting options

ORDER Information - Pump Only

Code	Model	Configuration
14050230	ICON-M433N	MULTI SPRAY UNIT with STAINLESS STEEL Fluid Passages (36:1) Supplied with SUCTION HOSE SET - Pump Only
14050240	ICON-M333N	MULTI SPRAY UNIT with STAINLESS STEEL Fluid Passages (32:1) Supplied with SUCTION HOSE SET - Pump Only

TECHNICAL DATA		iCon-M433N	iCon-M333N
Plunger Pump:		PP-3688N	PP-3260N
Weight:		46.5 Kg	40 Kg
Dimensions (LxWxH):		496 x 627 x 1164 mm	
Paint Filter:	Delivery Paint Filter	TF-8N: 04935360	
	Fluid Suction Filter	15 mesh	50 mesh
Max. Fluid Working Pressure:		252 bar/3655 PSI	224 bar/3249 PSI
Max. Air Inlet Pressure:		7.0 bar/102 PSI	
Pressure Ratio:		36:1	32:1
Working Temperature:		5°~40° C	
Noise Level:		99.7 dB(A)	97.2 dB(A)
Compressor Required Power:		> 1.5 Kw / 2HP	
Fluid Output:	Max. Fluid Delivery	88 ml	60 ml
	Max. Volume/Min.	5.2 l/min	3.6 l/min
No. Of Cycles Per Minute		60 cyc	
Air Supply Nipple (To Gun)		G1/4"	
Air Supply Nipple (To Pump)		G1/4"	
Fluid Supply Nipple (To Gun)		NPSM 1/4"	
Fluid Inlet		G1"	G1/2"



SYSTEMS INCLUDE

- iCon Series Multi Spray Pump assembled on a cart
- MSGS-200 Series Multi Spray Gun and 513 tip
- 25ft Twin Hose with High Pressure Fluid Line and Grounded Air Line

iCon®



25ft Twin Hose with High Pressure Fluid Line and Grounded Air Line (additional 50ft Twin Hose available)



MSGS-200 Series Multi Spray Gun and 513 Tip



ORDER Information - iCon Cart Mount - Multi Spray

Code	Model	Ratio	Fluid Output		Type	Max. Fluid Press.	Gun Model	Type Of Filter	Twin Hoses
iCon-M433N MULTI SPRAY UNIT WITH MSGS-200 Multi Spray Gun (Codes ending in -T include 513 Tip)									
14000140	ICON-M433N-S1	36:1	88 ml/cyc	5,2 l/min	SUCTION HOSE SET	252 bar/3655 PSI	MSGS-200-250L	Long - 100 Mesh	PN: 9249 (25ft)
14000200	ICON-M433N-S2						MSGS-200-250S	Short - 100 Mesh	
14000200-T	ICON-M433N-S2+ 513 Tip						MSGS-200-250S	Short - 100 Mesh	
14000190	ICON-M433N-S3						MSGS-200-120L	Long - 100 Mesh	
14000200	ICON-M433N-S4						MSGS-200-120S	Short - 100 Mesh	
14000550	ICON-M433N-S5	36:1	88 ml/cyc	5,2 l/min	HOPPER SET	252 bar/3655 PSI	MSGS-200-250L	Long - 100 Mesh	PN: 9249 (25ft)
14000560	ICON-M433N-S6						MSGS-200-250S	Short - 100 Mesh	
14000670	ICON-M433N-S7						MSGS-200-120L	Long - 100 Mesh	
14000680	ICON-M433N-S8						MSGS-200-120S	Short - 100 Mesh	
iCon-M333N MULTI SPRAY UNIT WITH MSGS-200 Multi Spray Gun (Codes ending in -T include 513 Tip)									
14000150	ICON-M333N-S1	32:1	60 ml/cyc	3,6 l/min	SUCTION HOSE SET	224 bar/3249 PSI	MSGS-200-250L	Long - 100 Mesh	PN: 9249 (25ft)
14000210	ICON-M333N-S2						MSGS-200-250S	Short - 100 Mesh	
14000210-T	ICON-M333N-S2 + 513 Tip						MSGS-200-250S	Short - 100 Mesh	
14000220	ICON-M333N-S3						MSGS-200-120L	Long - 100 Mesh	
14000230	ICON-M333N-S4						MSGS-200-150S	Short - 100 Mesh	
14000230-T	ICON-M333N-S4 + 513 Tip	32:1	60 ml/cyc	3,6 l/min	HOPPER SET	224 bar/3249 PSI	MSGS-200-150S	Short - 100 Mesh	PN: 9249 (25ft)
14000530	ICON-M333N-S5						MSGS-200-250L	Long - 100 Mesh	
14000540	ICON-M333N-S6						MSGS-200-250S	Short - 100 Mesh	
14000700	ICON-M333N-S7						MSGS-200-120L	Long - 100 Mesh	
14000710	ICON-M333N-S8						MSGS-200-120S	Short - 100 Mesh	

ORDER Information - iCon Cart Mount - Airless Spray

Code	Model	Ratio	Fluid Output		Type	Max. Fluid Press.
iCon AIRLESS SPRAY UNIT (Unit Only - no gun included)						
9935	ICON-A333N	36:1	88 ml/cyc	5,2 l/min	SUCTION HOSE SET	252 bar/3655 PSI
9934	ICON-A433N	32:1	60 ml/cyc	3,6 l/min	SUCTION HOSE SET	224 bar/3249 PSI

iCon-M433N 36:1 | iCon-M333N 32:1 WALL MOUNT

SYSTEMS INCLUDE

- iCon Series Multi Spray Pump assembled on a wall mount
- MSGS-200 Series Multi Spray Gun and 513 tip

iCon®



ORDER Information - iCon Wall Mount - Multi Spray

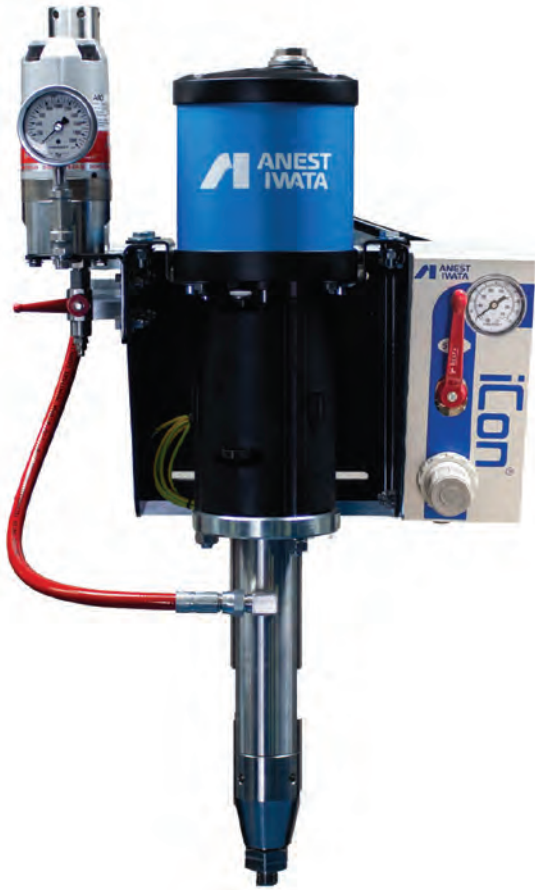
Code	Model	Ratio	Fluid Output		Type	Max. Fluid Press.
iCon MULTI SPRAY UNIT (Gun and Hose not included)						
5132	ICON-M433N	36:1	88 ml/cyc	5,2 l/min	SUCTION HOSE SET	252 bar/3655 PSI
5131	ICON-M333N	32:1	60 ml/cyc	3,6 l/min	SUCTION HOSE SET	224 bar/3249 PSI

ORDER Information - iCon Wall Mount - Airless Spray

Code	Model	Ratio	Fluid Output		Type	Max. Fluid Press.
iCon AIRLESS SPRAY UNIT (Gun and Hose not included)						
9931	ICON-A433N	36:1	88 ml/cyc	5,2 l/min	SUCTION HOSE SET	252 bar/3655 PSI
9930	ICON-A333N	32:1	60 ml/cyc	3,6 l/min	SUCTION HOSE SET	224 bar/3249 PSI



iCon[®]



The iCon Flatline Coating System comes in 32:1 and 36:1 configurations, suited for water- and solvent-based coatings. It ensures consistent performance with multiple automatic guns for efficiency. Self-adjusting packings reduce maintenance by protecting the piston, while an external filter and recirculating valve simplify priming and cleanup. For precise pressure control, an optional high-pressure regulator is available. Optimize your painting process with the iCon Flatline Coating System.

FEATURES

- Seamless Integration
- Easy to Maintain
- For Water and Solvent-Based Coatings
- Available in 32:1 or 36:1

Step 1: Select Your System

System (3 Pumps + 30:1 Flush Pump)		
Spray Style	Airless	
Mounting Config	Wall Mount	
Ratio	32:1	36:1
Code	9932	9933

Step 2: Select Your Accessories

Code	Description
INCLUDED ACCESSORIES	
9936	HIGH PRESSURE FLUID REGULATOR KIT
9937	HIGH PRESSURE REGULATOR PREP (NO REGULATOR)
SEE AUTO & MANUAL GUNS FOR GUN OPTIONS	

iCon-M233N 30:1 SYSTEMS



iCon X-3 on Wall Mount
8.5(w) x 17(h) x 10(d) in



iCon X-3 on Cart Frame
16.25(w) x 38(h) x 19(d) in



FEATURES

- Versatile 30:1 ratio moves fluid at higher pressures while using low inlet pressure
- Anti-Blocking Changeover System prevents stalling for less downtime
- Compact size and weight of cart mount version is great for mobile operations
- Self-adjusting packings help protect the cylinder from wear as the packings are set in place
- All wetted parts are stainless steel to withstand solvent and waterborne coatings
- Patented air motor with double action pilot valve technologies work through the toughest shop conditions to provide the best reliability during operation
- Hard chrome plated internals create less friction for improved reliability
- Durable fluid valve seats made of carbide improve performance
- Designed to be extremely simple to assemble, disassemble, and maintain

TECHNICAL DATA

TECHNICAL DATA		iCon-M233N
PRESSURE RATIO:		30:1
MAX. FLUID WORKING PRESSURE:		210 bar/3046 PSI
MAX. AIR INLET PRESSURE:		7.0 bar/102 PSI
AIR CONSUMPTION:		110 NI/min. / 3.9 SCFM at 30 cyc/min.
FLUID OUTPUT:	MAX. FLUID DELIVERY	25 ml
	MAX. VOLUME/MIN.	2.5 l/min.
MAX. NO. OF CYCLES PER MIN.		100 cyc
AIR SUPPLY NIPPLE (TO GUN)		G1/4"
AIR SUPPLY NIPPLE (TO PUMP)		G1/4"
FLUID SUPPLY NIPPLE (TO GUN)		NPSM 1/4"
FLUID INLET		G1/2"

MSG5-200 Series
Multi Spray Gun
and 513 Tip



25ft Twin Hose with High
Pressure Fluid Line and
Grounded Air Line



SYSTEMS INCLUDE

- iCon X-3 Multi Spray Pump assembled on a cart frame or wall mount
- MSGS-200 Series Multi Spray Gun and 513 tip
- Suction Hose or 6L Hopper (both with 50 mesh filter)
- 25ft Twin Hose with High Pressure Fluid Line and Grounded Air Line

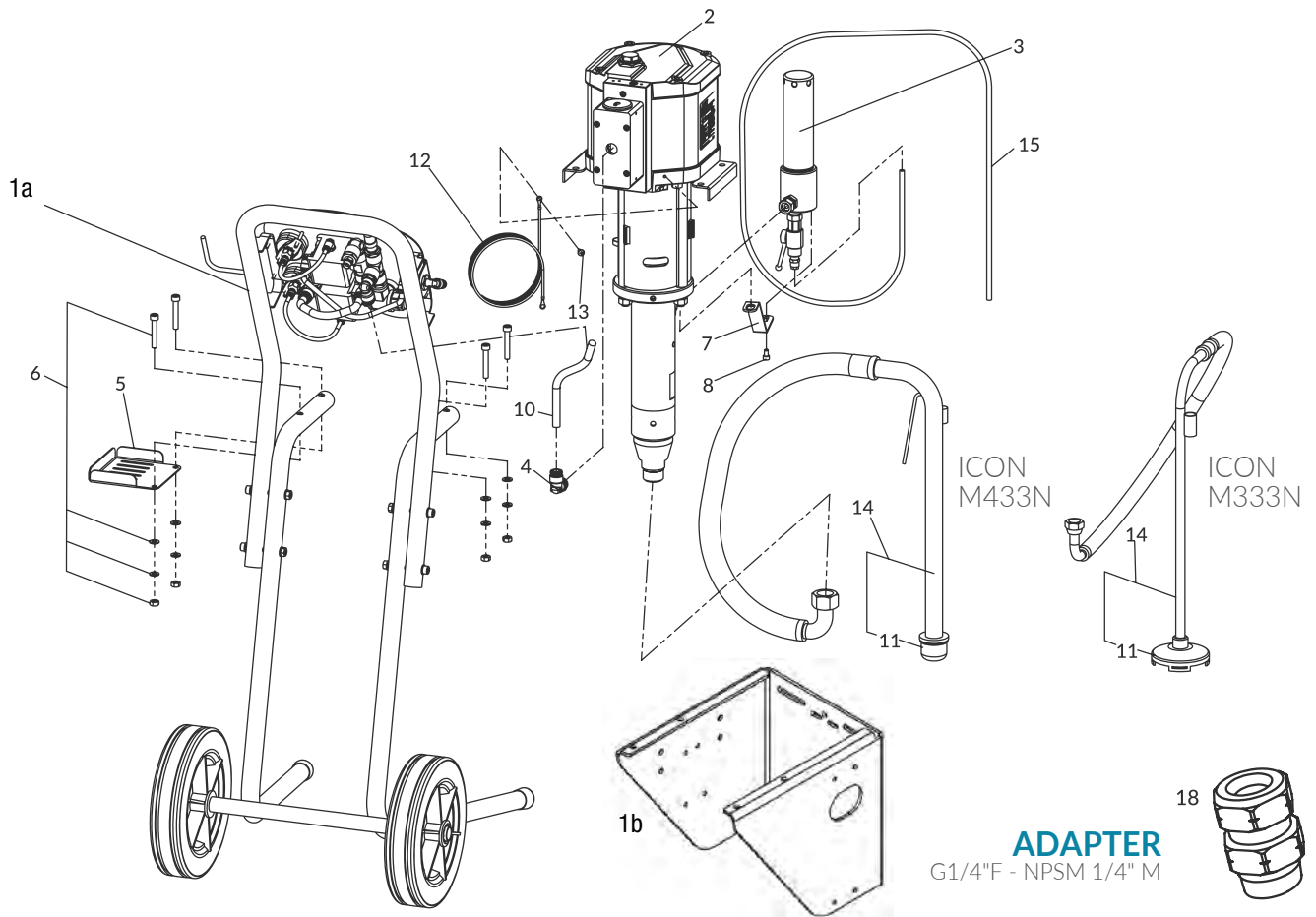


ORDER Information

Code	Model	Ratio	Fluid Output		Type	Max. Fluid Press.	Gun Model	Type Of Filter	Twin Hoses
iCon-M233N MULTI SPRAY PUMP on CART FRAME WITH MSGS-200 Multi Spray Gun and 513 Tip									
140004A0-T	ICON-M233N-S2	30:1	25 ml	2.5 l/min.	SUCTION HOSE SET	210 bar/3046 PSI	MSGS 200 EVO -250SN	SHORT - 100 Mesh	PN: 9249 (25ft)
140009A0-T	ICON-M233N-H2				6L HOPPER SET				
iCon-M233N MULTI SPRAY PUMP on WALL MOUNT WITH MSGS-200 Multi Spray Gun and 513 Tip									
140016A0-T	ICON-M233N-SWM2	30:1	25 ml	2.5 l/min.	SUCTION HOSE SET	210 bar/ 3046 PSI	MSGS 200 EVO -250SN	SHORT - 100 Mesh	PN: 9249 (25ft)
140021A0-T	ICON-M233N-HWM2				6L HOPPER SET				

Code	Description
ACCESSORIES	
9249	25ft Twin Hose
9248	50ft Twin Hose

iCon-M433N 36:1 | iCon-M333N 32:1



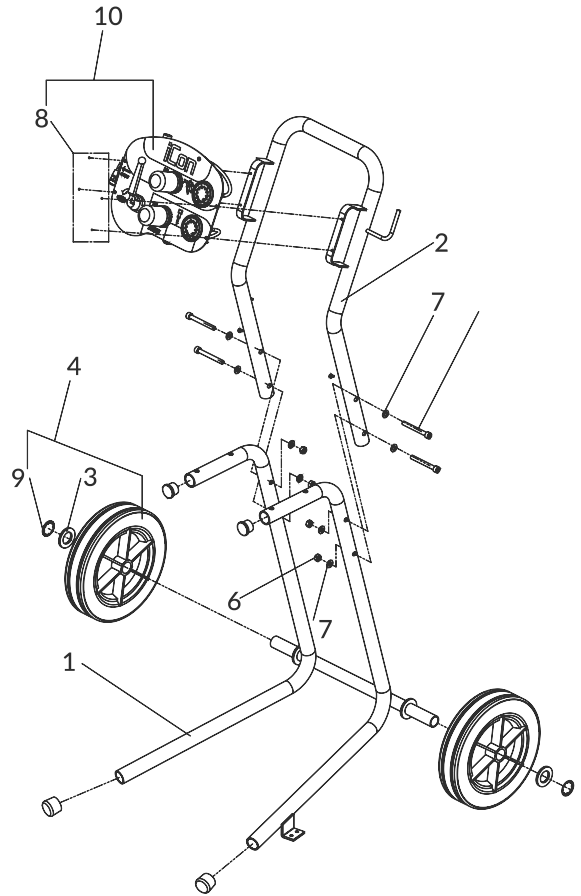
SPARE PARTS

Ref.	Code	Description		ICON-M433N	ICON-M333N
1a	04445670	CART FRAME SET		X	X
1b	9917	WALL MOUNT FRAME		X	X
2	14050130	PLUNGER PUMP SET	PP-3688N	X	--
2	14050140	PLUNGER PUMP SET	PP-3260N	--	X
3	1457000000	DELIVERY PAINT FILTER SET	TF-8N	X	X
4	04444920	ELBOW MALE ADAPTOR	1/2"x ø12	X	X
5	04444740	TIP STAY		X	X
6	94447890	BOLT and NUT SET for PUMP HEX. SOCKET BOLT (4 pcs.) + NUT (4 pcs.) + SPRING WASHER (4 pcs.) + WASHER (4 pcs.)		X	X
7	04001270	FILTER STAY		X	X
8	06350612	BOLT WITH HEX. HOLE	M6x10	X	X
10	04444690	AIR HOSE		X	X
11	04444760	SUCTION FILTER SET	M28x1.5 15mesh	X	--
11	UL10000701	SUCTION FILTER SET	M15x50mesh	--	X
11	9014	SUCTION FILTER STAINLESS STEEL		--	X
12	ME100001	GROUND WIRE SET		X	X
13	06155024	SCREW	M5x10	X	X
14	ITDA-55G90	SUCTION HOSE SET - 55 GALLON DRUM		--	X
14	ITDA-55G90-36	SUCTION HOSE SET - 55 GALLON DRUM		X	--
14	94444750	SUCTION HOSE SET		X	--
14	0101010000	SUCTION HOSE SET		--	X
15	00100030	DRAIN HOSE	8x6	X	X
16	94445770	PACKING PROTECTION LIQUID		X	X
17	04445760	HOOK SPANNER		X	X
18	94006030	ADAPTER	G1/4"F - NPSM 1/4"M	X	X
	04005870	HOPPER		X	--



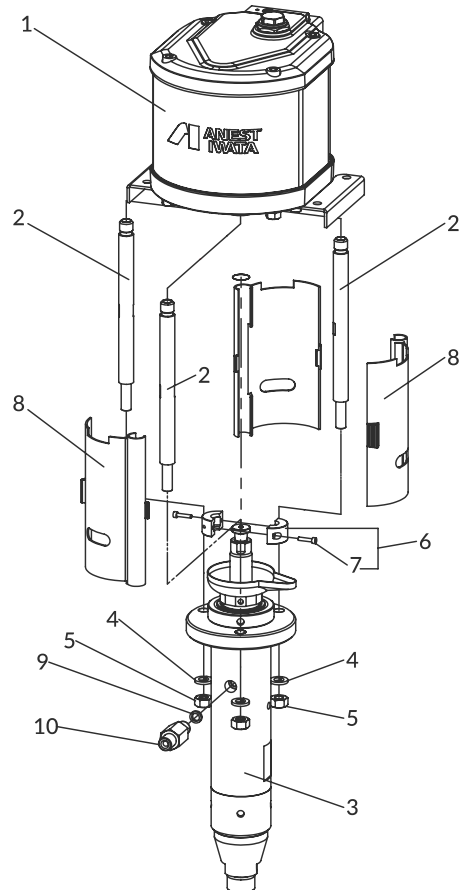
CART FRAME SET

Ref.	Code	Description	
-	04445670	CART FRAME SET	
1	94445680	CART FRAME	
2	04444730	HANDLE FRAME	
3	04445720	WHEEL WASHER	
4	94444960	WHEEL SET WHEELS (2 pcs.) +WASHERS (2 pcs.)+SELF LOCKING RINGS (2 pcs.)	
5	04447890	BOLT WITH HEX. HOLE	M8
6	06361081	HEX. NUT	M8
7	06363080	WASHER	M8
8	94444790	SOCKET BUTTON HEAD SCREW (4 pcs.)	
9	04447900	SELF LOCKING RING	
10a	94445740	AIR REGULATOR SET AIR REGULATOR SET (1 pc.) + SOCKET BUTTON HEAD SCREW (4 pcs.)	
10b	94445790	AIR REGULATOR SET FOR AIRLESS CONFIGURATION	



PLUNGER PUMP SET

Ref.	Code	Description	
1	04946700	AIR MOTOR SET for ICON-M433N	
1	04946750	AIR MOTOR SET for ICON-M333N	
2	04938220	CONNECTING ROD	
3	04946730	FLUID PUMP SET for ICON-M433N	
3	04946760	FLUID PUMP SET for ICON-M333N	
4	06362120	SPRING WASHER	M12
5	06361121	HEX. NUT	M12
6	94938230	COUPLING SET COUPLINGS (2 pcs.) + BOLT WITH HEXAGON HOLE (2 pcs.)	ICON-M433N
6	94943870	COUPLING SET COUPLINGS (2 pcs.) + BOLT WITH HEXAGON HOLE (2 pcs.)	ICON-M333N
7	94939540	BOLT WITH HEX. HOLE (2 pcs.)	M4x20
8	04938240	ROD COVER	
9	04938260	FLUID OUTPUT PACKING	
10	04938250	FLUID OUTPUT JOINT	



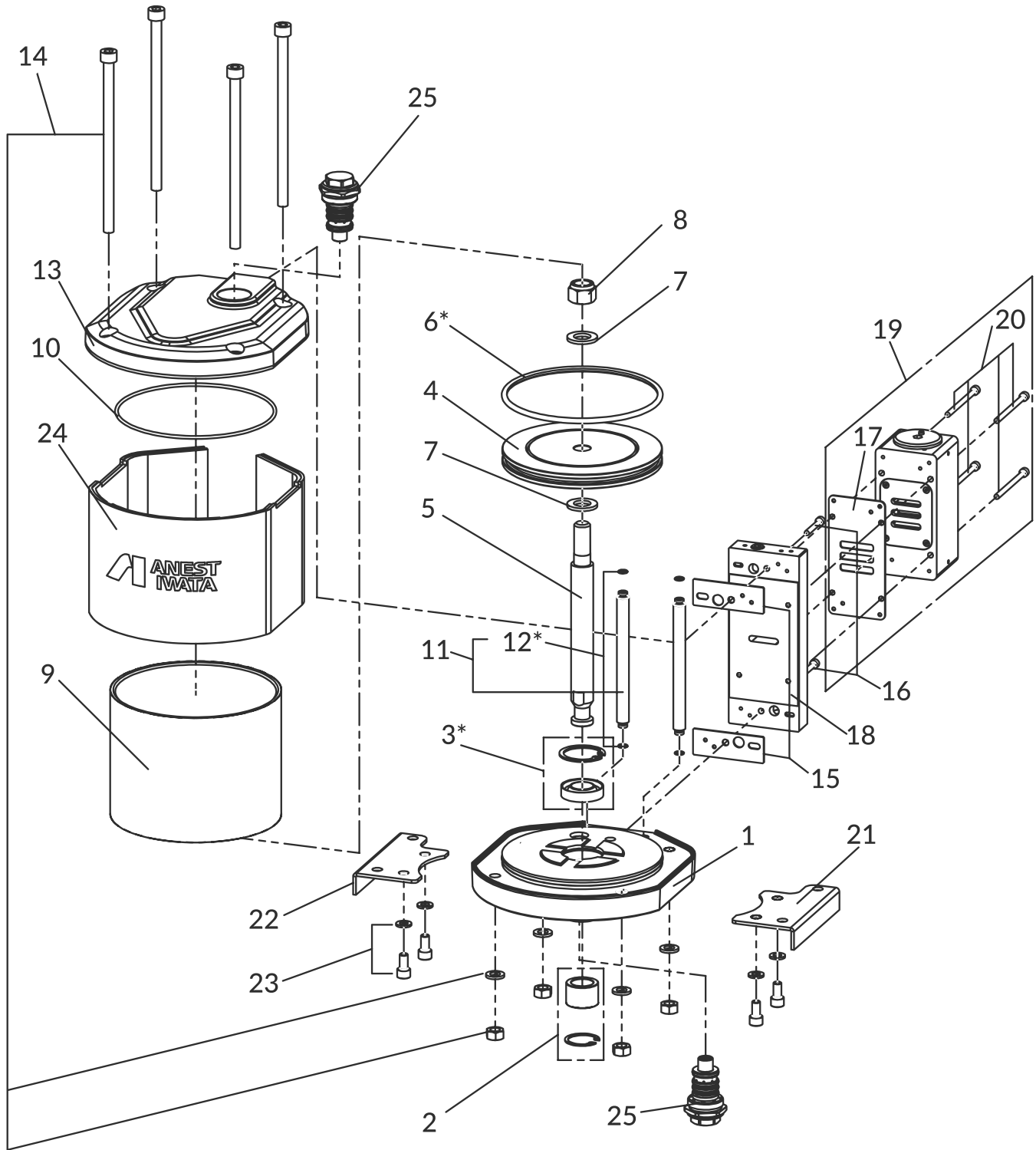
iCon-M433N 36:1 | iCon-M333N 32:1

AIR MOTOR SET

Ref.	Code	Description	ICON-M433N	ICON-M333N
1	94938600	BOTTOM MODULE	x	--
1	94944860	BOTTOM MODULE	--	x
2	94938620	METAL SET METAL $\varnothing 22 \times \varnothing 32 \times L22$ + SEEGER	x	--
2	94944870	METAL SET METAL $\varnothing 18 \times \varnothing 25 \times L25$ + SEEGER	--	x
3*	94943830	"U" PACKING SET "U" PACKING + SEEGER	x	--
3*	94946600	"U" PACKING SET "U" PACKING + SEEGER	--	x
4	94939290	AIR PISTON	x	--
4	94944900	AIR PISTON	--	x
5	94939300	PISTON ROD	x	--
5	94944910	PISTON ROD	--	x
6*	04943730	'O' RING $\varnothing 5.34 \times \varnothing 145.42$	x	--
6*	04944980	'O' RING $\varnothing 5.34 \times \varnothing 113.7$	--	x
7	96471162	WASHER M16 (2 pcs.)	x	--
7	96471142	WASHER M14 (2 pcs.)	--	x
8	04939460	SELF LOCKING HEX. NUT M16	x	--
8	04944960	SELF LOCKING HEX. NUT M14	--	x
9	94939270	CYLINDER	x	--
9	94944880	CYLINDER	--	x
10	94943740	'O' RING SET $\varnothing 3 \times \varnothing 154$ (2 pcs.)	x	--
10	94944990	'O' RING SET $\varnothing 3 \times \varnothing 119.5$ (2 pcs.)	--	x
11	94939320	PILOT AIR HOSE SET PILOT AIR HOSE (2 pcs.) + 'O' RING (4 pcs.)	x	x
12*	96637607	'O' RING SET 'O' RING $\varnothing 1.5 \times \varnothing 6.5$ (4 pcs.)	x	x
13	94939310	HEAD MODULE	x	--
13	94944920	HEAD MODULE	--	x
14	94939480	BOLT NUT SET BOLT M10 x L180 (4 pcs.) + NUT M10 (4 pcs.) + SPRING WASHER M10 (4 pcs.)	x	--
14	94944970	BOLT NUT SET BOLT M8 x L180 (4 pcs.) + NUT M10 (4 pcs.) + SPRING WASHER M10 (4 pcs.)	--	x
15	94939350	MODULE PACKING SET (2 pcs.)	x	x
16	94939520	BOLT WITH HEX. HOLE SET M5xL35 (2 pcs.)	x	x
17	04939340	SUB PLATE PACKING	x	x
18	94939330	SUB PLATE	x	x
19	94946720	AIR OPERATING VALVE SET AIR OPERATING VALVE + SUB PLATE PACKING	x	x
20	94939530	BOLT WITH HEX. HOLE SET M5x75 (4 pcs.)	x	x
21	04939450	PUMP STAY "L"	x	--
21	04944950	PUMP STAY "L"	--	x
22	04939440	PUMP STAY "R"	x	--
22	04944940	PUMP STAY "R"	--	x
23	94939490	BOLT WITH HEX. HOLE + SPRING WASHER BOLT M8x16 (4 pcs.) + SPRING WASHER M8 (4 pcs.)	x	x
24	94447750	CYLINDER COVER	x	--
24	94447830	CYLINDER COVER	--	x
25	94946710	DOUBLE ACTION PILOT VALVE	x	x
	04001490	AIR MOTOR MAINTENANCE KIT	x	--
	04002030	AIR MOTOR MAINTENANCE KIT	--	x

(*) Spare parts included in MAINTENANCE KIT

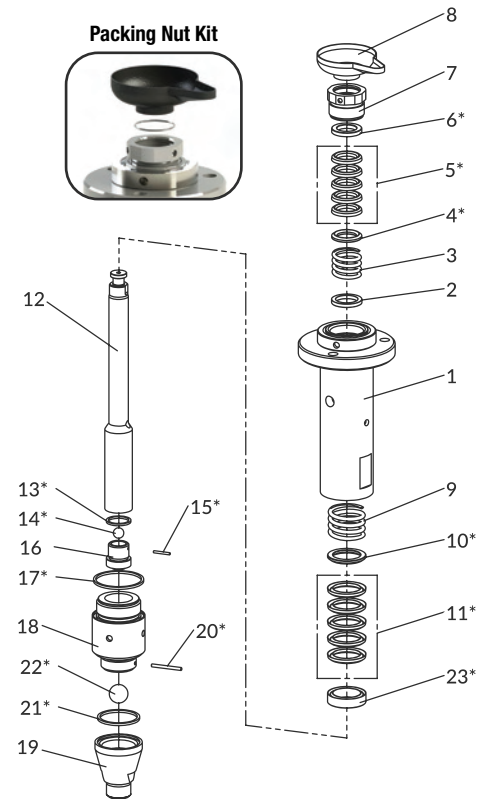




iCon-M433N 36:1 | iCon-M333N 32:1

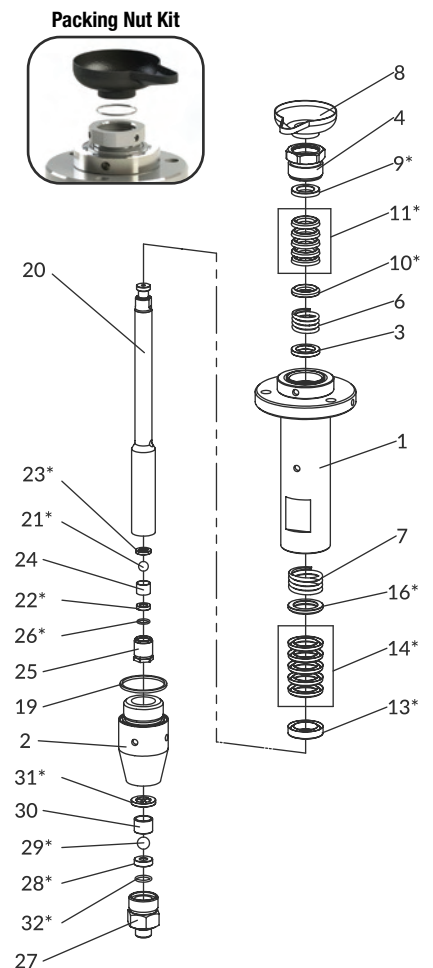
FLUID PUMP SET for ICON-M433N

Ref.	Code	Description
1	04001520	SUCTION TUBE WITH FLANGE
2	04938380	SPRING HOLDER
3	04938370	UPPER SPRING
4*	04938320	UPPER "V" PACKING MALE ADAPTOR
5*	04001500	UPPER PACKINGS KIT ("V" PACKINGS PE 3 pcs. + PTFE 2 pcs.)
6*	04938350	UPPER "V" PACKING FEMALE ADAPTOR
7	940175A0	PACKING NUT KIT (PACKING NUT+'O' RING)
7-1	960053A0	'O' RING
8	04938490	THINNER CUP
9	04938360	LOWER SPRING
10*	04938470	LOWER "V" PACKING MALE ADAPTOR
11*	04001510	LOWER PACKINGS KIT ("V" PACKINGS PE 3 pcs. + PTFE 2 pcs.)
12	94938400	SUCTION ROD
13*	04938420	VALVE HOLDER PACKING
14*	06662045	BALL 9/16"
15*	04938430	VALVE HOLDER PIN
16	94938410	VALVE HOLDER
17*	04000210	SUCTION TUBE PACKING
18	94938300	SUCTION CONNECTOR
19	94938310	VALVE ADAPTOR
20*	04938390	LOWER PIN
21*	04000140	ADAPTOR PACKING
22*	06662100	BALL 1"
23*	04938440	LOWER "V" PACKING FEMALE ADAPTOR
	04002020	FLUID PUMP MAINTENANCE KIT



FLUID PUMP SET for ICON-M333N

Ref.	Code	Description
1	04002100	SUCTION TUBE WITH FLANGE
2	94943910	SUCTION CONNECTOR
3	04944740	SPRING HOLDER
4	940176A0	PACKING NUT KIT (PACKING NUT+'O' RING)
4-1	960053A0	'O' RING
6	04944730	UPPER SPRING
7	04944720	LOWER SPRING
8	04938490	THINNER CUP
9*	04943990	UPPER "V" PACKING FEMALE ADAPTOR
10*	04943960	UPPER "V" PACKING MALE ADAPTOR
11*	04002040	UPPER PACKINGS KIT ("V" PACKINGS PE 3 pcs. + PTFE 2 pcs.)
13*	04944810	LOWER "V" PACKING FEMALE ADAPTOR
14*	04002060	LOWER PACKINGS KIT ("V" PACKINGS PE 3 pcs. + PTFE 2 pcs.)
16*	04944840	LOWER "V" PACKING MALE ADAPTOR
19	04000240	SUCTION TUBE PACKING
20	94944750	SUCTION ROD
21*	06662040	BALL 1/2"
22*	940247A0	VALVE SEAT
23*	04944770	VALVE HOLDER PACKING
24	04944790	BALL GUIDE
25	04944760	VALVE HOLDER
26*	04944800	'O' RING ϕ 2 x ϕ 13
27	04943920	VALVE ADAPTOR
28*	940246A0	VALVE SEAT
29*	06662050	BALL 5/8"
30	04943940	BALL GUIDE
31*	04943950	ADAPTOR PACKING
32*	04946590	'O' RING ϕ 2.5 x ϕ 17
	940249A0	FLUID PUMP MAINTENANCE KIT

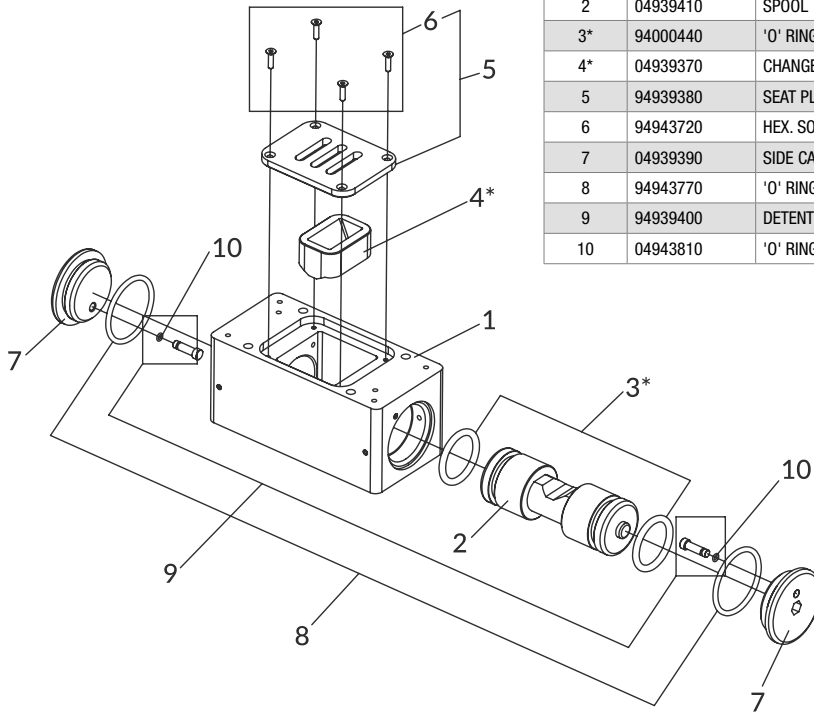


(*) Spare parts included in MAINTENANCE KIT



AIR OPERATING VALVE

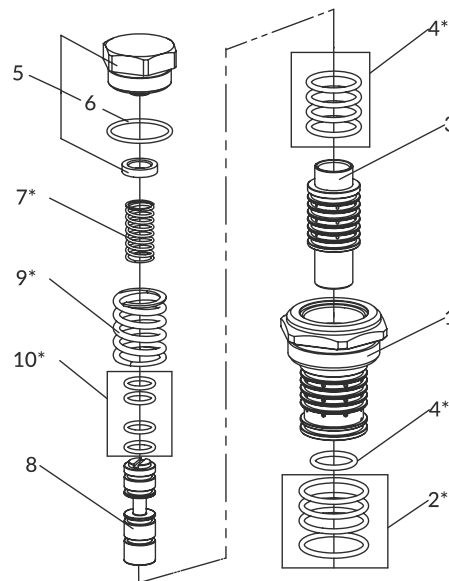
Ref.	Code	Description
1	94939360	CHANGEOVER MAIN BODY
2	04939410	SPOOL
3*	94000440	'O' RING SET $\varnothing 4 \times \varnothing 28$
4*	04939370	CHANGEOVER BLOCK
5	94939380	SEAT PLATE SET [ref. 5 (1 pc.) + ref. 6 (4 pcs.)]
6	94943720	HEX. SOCKET COUNTERSUNK SCREW
7	04939390	SIDE CAP
8	94943770	'O' RING $\varnothing 3 \times \varnothing 38$
9	94939400	DETENT PISTON SET [ref. 9 (2 pcs.) + ref. 10 (2 pcs.)]
10	04943810	'O' RING $\varnothing 1 \times \varnothing 3$



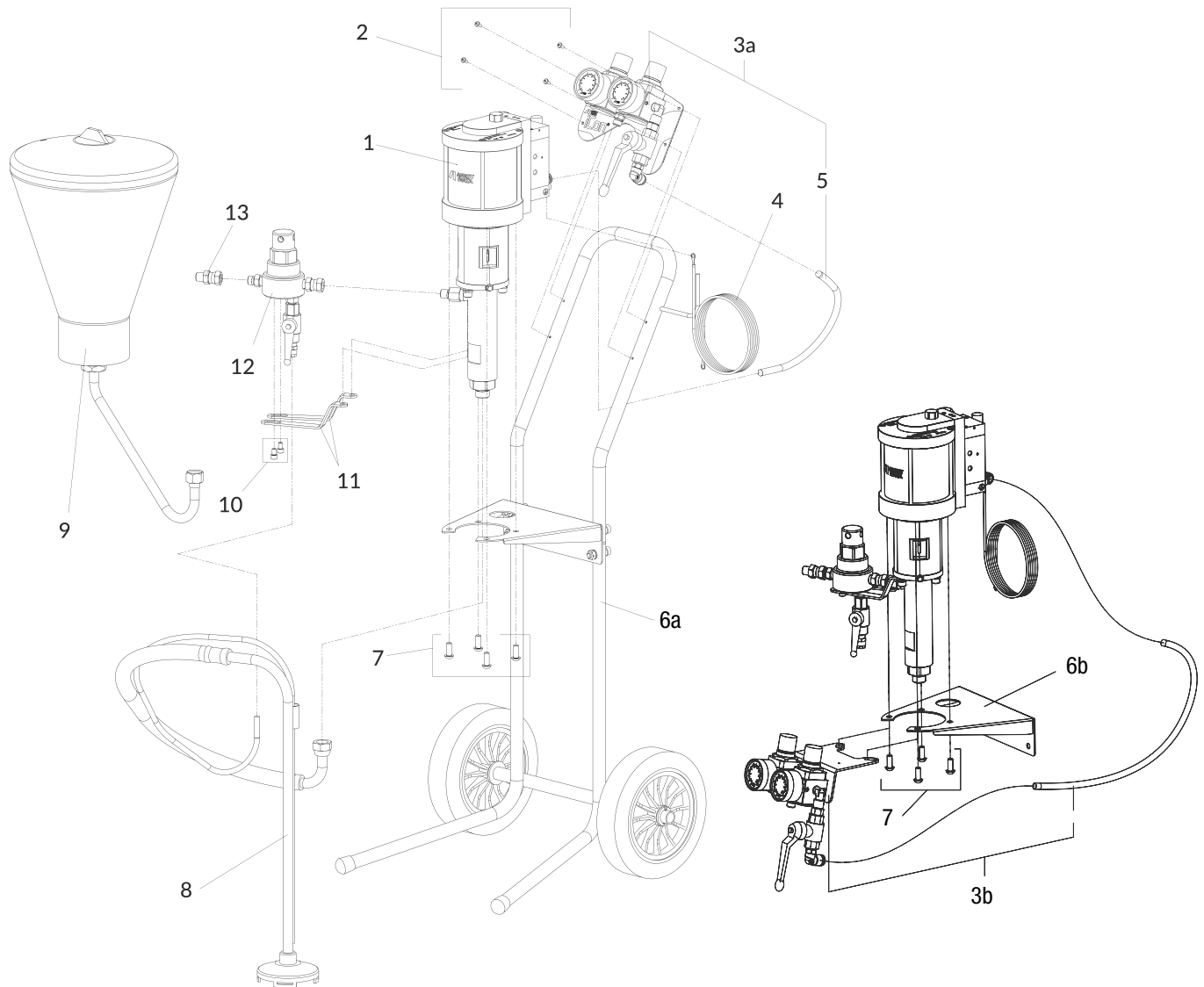
DOUBLE ACTION PILOT VALVE

Ref.	Code	Description	
1	94938610	VALVE HOUSING	
2*	-	'O' RING	$\varnothing 2 \times \varnothing 21.5$
3	94939220	VALVE	
4*	-	'O' RING	$\varnothing 2 \times \varnothing 14$
5	94939230	CAP	
6	-	'O' RING	$\varnothing 1.5 \times \varnothing 22$
7*	04939240	SPOOL SPRING	
8	94939260	SPOOL	
9*	04939250	VALVE SPRING	
10*	-	'O' RING	$\varnothing 1.5 \times \varnothing 9$
	04001390	PILOT VALVE 'O' RING KIT	

(*) Spare parts included in 'O' RING KIT



iCon-M233N 30:1 SYSTEMS



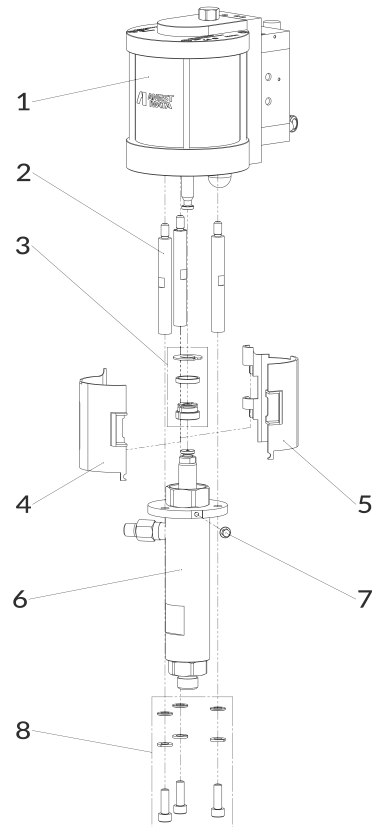
SPARE PARTS

Ref.	Code	Description
1	-	PLUNGER PUMP (PP-3025N)
2	94444790	SOCKET BUTTON HEAD SCREW (4 pcs)
3a	940188A0	AIR REGULATOR SET for CART FRAME version
3b	940189A0	AIR REGULATOR SET for WALL MOUNT version
4	ME100001	GROUND WIRE SET
5	940157A0	AIR HOSE 0,3 m
6a	940085A0	CART FRAME
6b	-	WALL MOUNT
7	960055A0	HEX. SOCKET BUTTON HEAD SCREW M8x20 SET (4 pcs)
8	0101010000	SUCTION HOSE SET
8	ITDA-55G90	SUCTION HOSE SET - 55 GALLON
9	04005510	HOPPER SET 6 lt.
10	960056A0	HEX. SOCKET BOLT M6x10 SET (2 pcs)
11	940052A0	FILTER STAY
12	140002A0	DELIVERY PAINT FILTER SET TF-1S
13	94006030	ADAPTER G1/4" F - NPSM 1/4" M
14	940192A0	WALL MOUNT SUPPORT
15	940060A0	AIR HOSE 0,5 m
	940213A0	AIR EXTENTION HOSE KIT



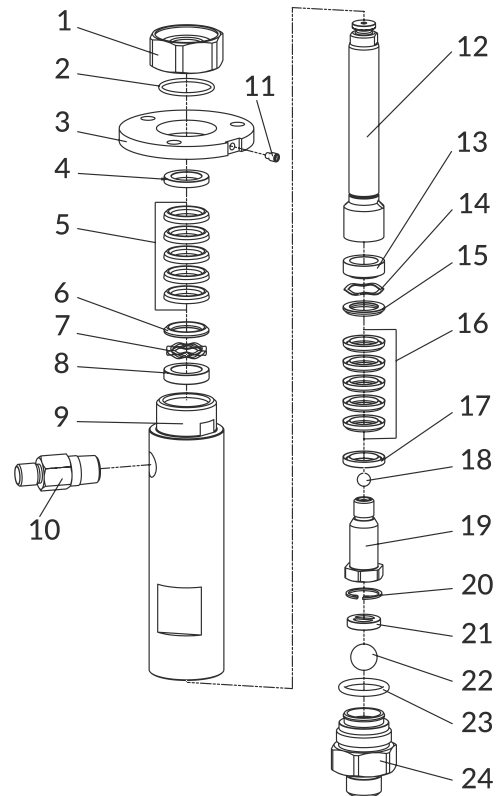
AIR OPERATING VALVE

Ref.	Code	Description
1	940000A0	AIR MOTOR
2	940036A0	CONNECTING ROD
3	940193A0	COUPLING KIT
4	940093A0	ROD COVER LEFT
5	940094A0	ROD COVER RIGHT
6	940014A0	FLUID PUMP SET
7	960047A0	HEX. SOCKET FLANGE BOLT M5x12
8	940170A0	SCREWS & WASHERS SET (3+3+3 pcs.)



FLUID PUMP SET

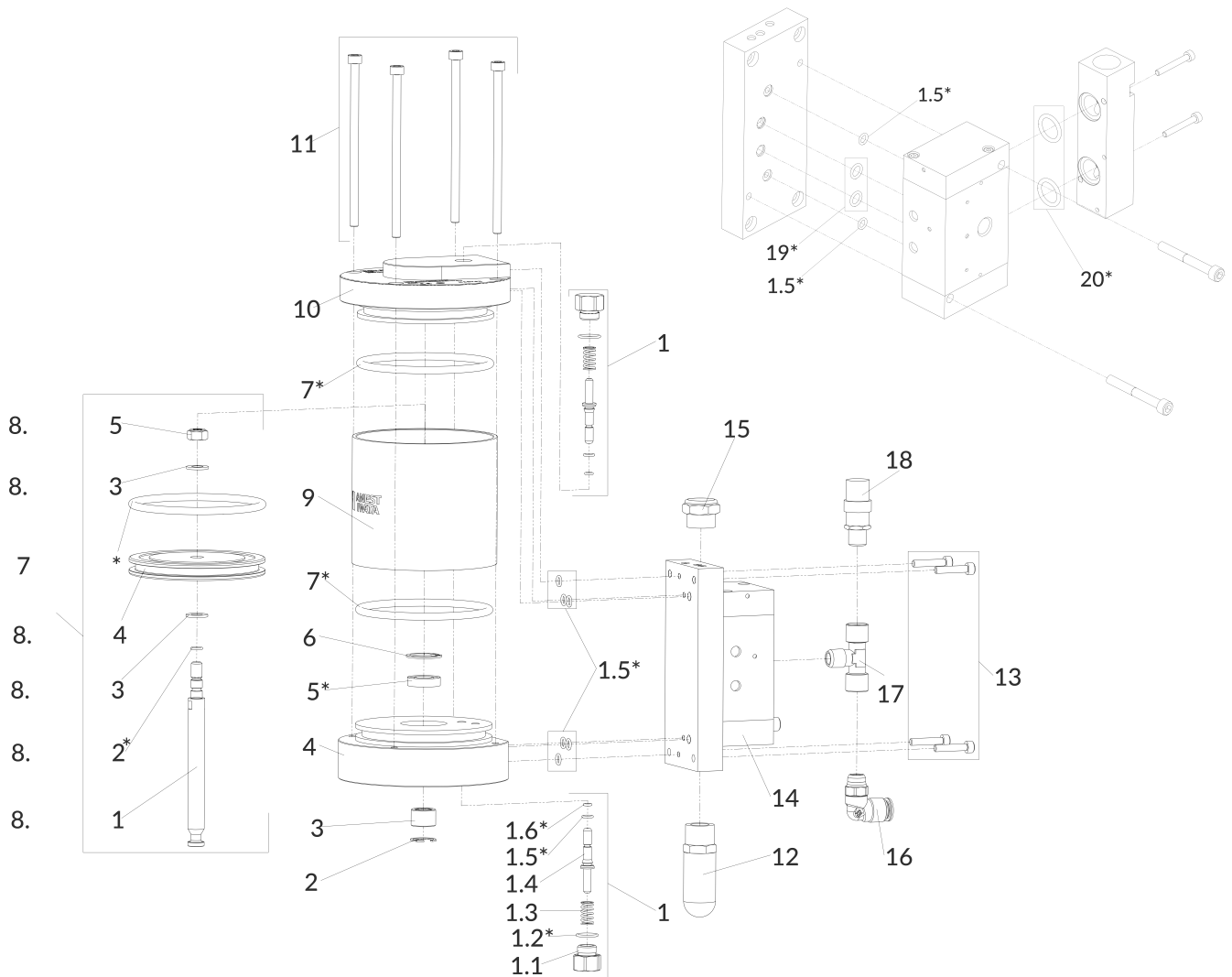
Ref.	Code	Description
1	940031A0	PACKING HOLDER
2	960011A0	O-RING 2.0-29.5
3	940112A0	FLANGE
4	940126A0	V-PACKING FEMALE ADAPTOR (UPPER)
5	940069A0	V-PACKING SET (UPPER) (3 PE + 2 PTFE)
6	940123A0	V-PACKING MALE ADAPTOR (UPPER)
7	940122A0	MULTI WAVE SPRING
8	940121A0	SPRING HOLDER (UPPER)
9	940015A0	SUCTION TUBE
10	940032A0	FLUID OUTPUT JOINT
11	960040A0	PLUG
12	940166A0	SUCTION ROD
13	940127A0	SPRING HOLDER (LOWER)
14	940128A0	NESTED SPRING
15	940129A0	V-PACKING MALE ADAPTOR (LOWER)
16	940070A0	V-PACKING SET (LOWER) (3 PE + 2 PTFE)
17	940132A0	V-PACKING FEMALE ADAPTOR (LOWER)
18	96662025	BALL 5/16"
19	940021A0	VALVE HOLDER
20	960014A0	SEEGER 20
21	04944770	VALVE HOLDER PACKING
22	96662050	BALL 5/8"
23	960015A0	O-RING 3.53-23.39
24	940033A0	VALVE ADAPTOR



FLUID PUMP SET ACCESSORIES

Ref.	Code	Description
	7964	FLUID MAINTENANCE KIT (includes: 2, 4, 5, 6, 7, 14, 15, 16, 17, 18, 20, 21, 22)

iCon-M233N 30:1 SYSTEMS



AIR MOTOR SET

Ref.	Code	Description
1	940073A0	PILOT VALVE SET
1.1	940007A0	PILOT VALVE CAP
1.2*	96997009	O-RING ϕ 1.5-13.5
1.3	940006A0	PILOT VALVE SPRING
1.4	940005A0	PILOT VALVE SHAFT
1.5*	96997003	O-RING ϕ 1,5-5,5
1.6*	96997012	O-RING ϕ 1.5-3.5
2	960000A0	SEEGER 18
3	940002A0	METAL
4	940001A0	BOTTOM MODULE
5*	960001A0	U-PACKING
6	960002A0	SEEGER 24
7*	960004A0	O-RING ϕ 5.33-89.69
8	940065A0	PISTON ROD SET
8.1	940159A0	PISTON ROD
8.2*	960052A0	O-RING ϕ 1.5-6
8.3	06363080	WASHER

Ref.	Code	Description
8.4	940004A0	AIR PISTON
8.5	960003A0	SELF LOCKING HEX. NUT
9	940008A0	CYLINDER
10	940010A0	HEAD MODULE
11	960006A0	HEX. SOCKET BOLT M6x120
12	960010A0	MUFFLER
13	96350525	HEX. SOCKET BOLT M5x25
14	940174A0	AIR OPERATING VALVE
15	04447820	EXHAUST FILTER
16	UL300309	ELBOW UNION
17	UL30030000	T-JOINT
18	UL30036000	SAFETY VALVE
19*	060031A0	O-RING ϕ 1.78-7.65
20*	060008A0	O-RING ϕ 2.62-15.54
	940072A0	O-RING SET FOR AIR MOTOR & AIR OPERATING VALVE

(*) Spare parts included in 'O' Ring Set



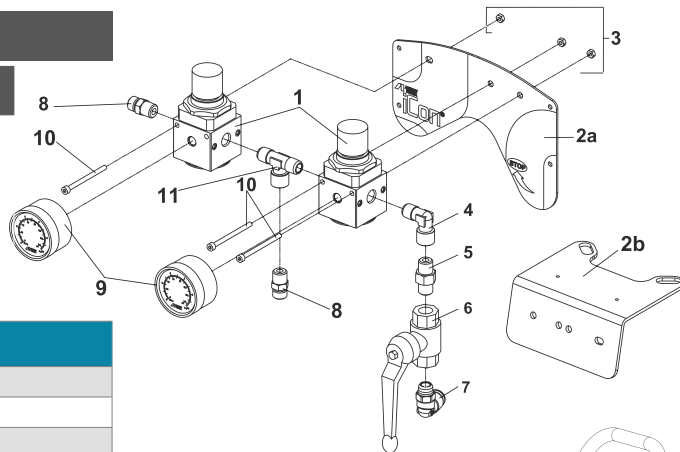
130

ANEST IWATA Americas, Inc.
COATING EQUIPMENT

AIR REGULATOR SET

For CART FRAME Version

For WALL MOUNT Version



Ref.	Code	Description
-	940188A0	AIR REGULATOR SET for CART FRAME version
-	940189A0	AIR REGULATOR SET for WALL MOUNT version
1	UI00070001	AIR REGULATOR
2a	940156A0	PANEL (for Cart Frame version)
2b	UL00005201	PLATE FOR AIR REGULATOR (for Wall Mount version)
3	UL300700	HEX. NUT M4
4	UL300201	L-JOINT
5	UL300101	NIPPLE
6	UL30034901	BALL VALVE WITH EXHAUST HOLE
7	UL300309	ELBOW UNION
8	UL30010501	SPECIAL NIPPLE R1/4" - G1/4"
9	02004003	PRESSURE GAUGE (bar - psi)
10	06350455	BOLT WITH HEX. HOLE M4x55
11	UL300303	T-JOINT

CART FRAME SET

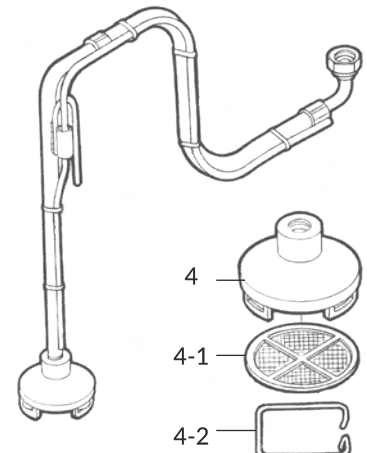
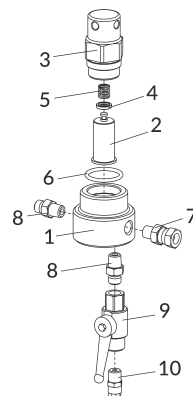
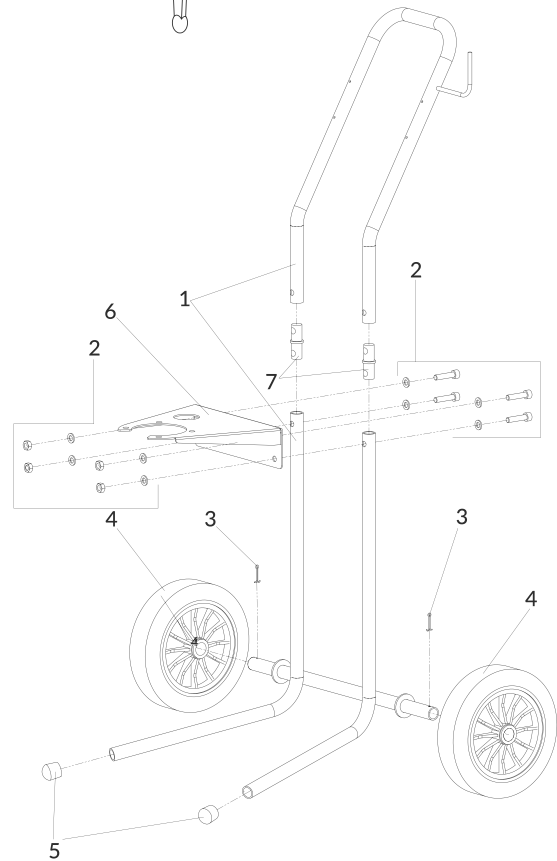
Ref.	Code	Description
-	940085A0	CART FRAME SET
1	940085A0	CART FRAME STRUCTURE
2	940169A0	SCREWS, NUTS & WASHER SET (4+4+8 pcs.)
3	UL300811	SPLIT PIN
4	UL200001	WHEEL
5	960019A0	RUBBER CAP
6	940192A0	WALL MOUNT SUPPORT
7	940089A0	CONNECTION ELEMENT

DELIVERY PAINT FILTER TF-1S

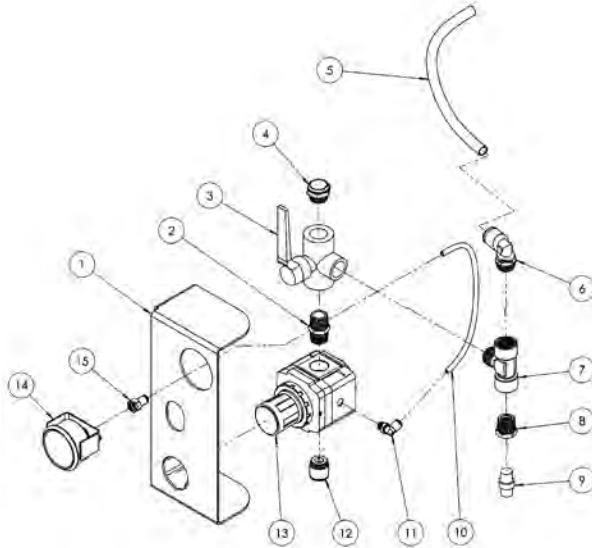
Ref.	Code	Description
-	140002A0	DELIVERY PAINT FILTER SET TF-1S
1	940053A0	FILTER BODY
2	VFM2704	FILTER 100 MESH
3	940054A0	CYLINDER
4	940055A0	WASHER
5	940056A0	FILTER SPRING
6	960021A0	O-RING 3.53-32.92
7	96859022	SWIVEL JOINT R1/4" M - G1/4" F
8	UL300462	JOINT G1/4" - R1/4"
9	UL30090100	DRAIN VALVE
10	UL300302	HOSE JOINT

SUCTION HOSE SET

Ref.	Code	Description
4	UL10000701	COMPLETE COVER SET
4-1	0040720100	FILTER 50 MESH
4-2	00407203	FILTER STOPPER
	9014	SUCTION FILTER SS

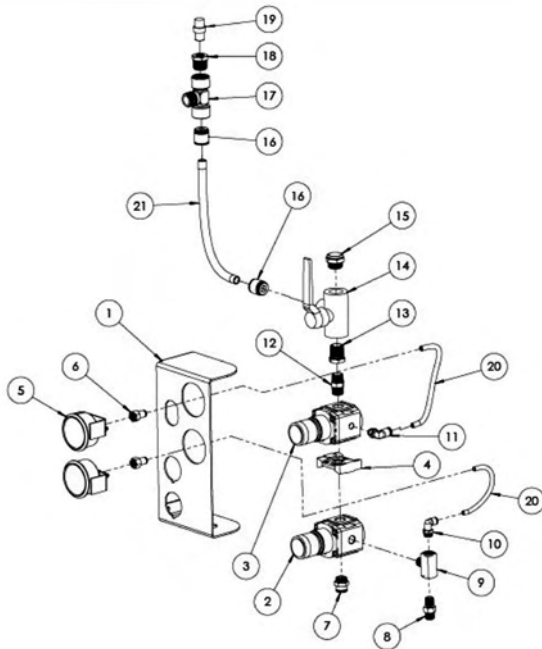


iCon FLATLINE COATING SYSTEM



AIRLESS WALL MOUNT AIR REGULATOR

Ref.	Code	Description
-	5133	AIRLESS WALL MOUNT AIR REGULATOR
1	9919	Icon wall mount air regulator panel
2	9927	Pressure gauge, 0-100 psi
3	5027	Straight Adapter, 1/4" Tube OD x 1/8 NPT Female, Nickel-Plated Brass
4	5030	90 Degree, 12mm OD x 1/2 Maile Pipe, Nickel-Plated Brass
5	5029	Inline Tee Adapter, 1/2 Rc, Nickel-Plated Brass
6	5031	Bushing Reducing Adapter, 1/2 to 1/4 Rc, Nickel-Plated Brass
7	UI30036000	Pressure relief valve
8	5028	Muffer, 1/2 G
9	04444840	3-way ball valve, 1/2 Rc, Nickel-Plated Brass
10	5032	1/2 Rc pipe nipple, 1.5" long, nickel-plated brass
11	5040	Air regulator, SMC AR40-D, 1/2 NPT
12	5033	90 Degree Adapter, 1/4" Tube OD x 1/8 Male Pipe
13	5034	Straight Adapter, 12mm Tube OD x 1/2 Rc Female
14	5035	1/4"x1/8" Firm Polyuretthat hose, black
15	5036	12x8mm Firm Polyuretthat hose, black
	5037	1/4"-20 x 3/4" long, hex bolt, Grade 5, Zinc-Plated
	5038	1/4"-20 locknut, Grade 5, Zinc-Plated
	5039	1/4" washer, Zinc-Plated



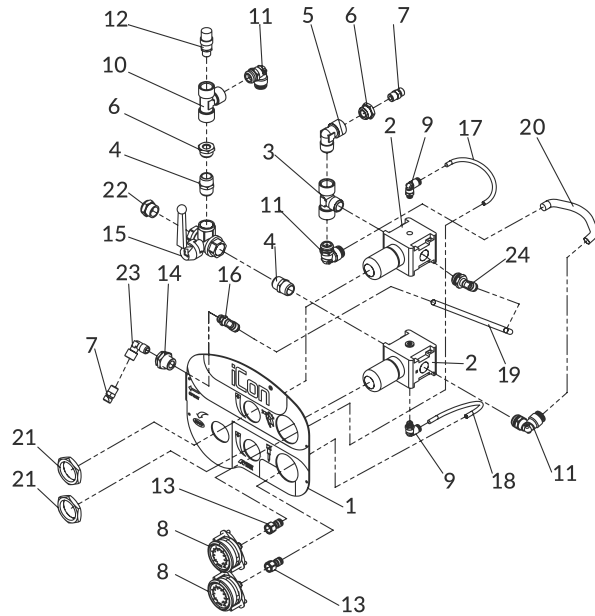
AIR ASSISTED WALL MOUNT AIR REGULATOR

Ref.	Code	Description
-	5134	AIR ASSISTED WALL MOUNT AIR REGULATOR
1	5120	Dual air regulator panel
2	5121	Gun air regulator
3	5122	Pump air regulator
4	5123	Regulator spacer
5	5124	3/8" universal-thread to 12mm push connect fitting
6	5125	1/4" NPT to BSPP adapter, Zinc Plated
7	5126	1/4" NPT inline tee, Brass
8	5127	1/4" universal-thread to 1/4 push connect elbow fitting
9	5033	1/8" universal-thread to 1/4 push connect elbow fitting
10	5027	Straight Adapter, 1/4" Tube OD x 1/8 NPT Female, Nickel-Plated Brass
11	9927	Pressure gauge, 0-100 psi
12	5028	Muffer, 1/2 G
13	5034	Straight Adapter, 12mm Tube OD x 1/2 Rc Female
14	5034	Straight Adapter, 12mm Tube OD x 1/2 Rc Female
15	04444840	3-way ball valve, 1/2 Rc, Nickel-Plated Brass
16	5128	1/2" to 3/8" NPT reducing bushing, Nickel-Plated Brass
17	5129	3/8" NPT x 1.25" long pipe, Brass
18	5029	Inline Tee Adapter, 1/2 Rc, Nickel-Plated Brass
19	5031	Bushing Reducing Adapter, 1/2 to 1/4 Rc, Nickel-Plated Brass
20	UL30036000	Pressure relief valve
21	5035	1/4"x1/8" Firm Polyuretthat hose, black
22	5036	12x8mm Firm Polyuretthat hose, black



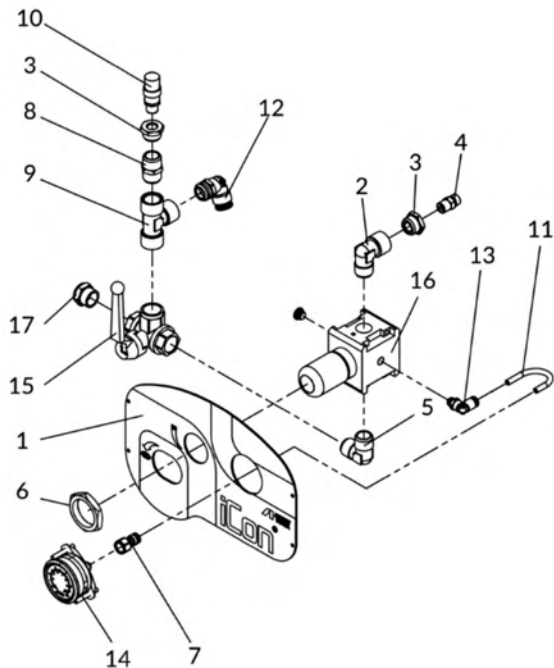
AIR REGULATOR SET - Multi Spray - Cart Mount

Ref.	Code	Description	
-	94445740	AIR REGULATOR SET - CART MOUNT	
1	04444640	PANEL	
2	04444800	AIR REGULATOR	
3	04445850	"T" ADAPTOR	1/2" FMF
4	04444910	NIPPLE	1/2"
5	04444930	ELBOW UNION	1/2" MF
6	04444860	REDUCER	G1/2"-G1/4"
7	UL30010501	SPECIAL NIPPLE	R1/4" - G1/4"
8	04444650	PRESSURE GAUGE	
9	04444940	ELBOW UNION	1/8" - ø 6
10	04444850	"T" ADAPTOR	1/2" FFF
11	04444920	ELBOW MALE ADAPTOR	1/2"x ø12
12	UL30036000	SAFETY VALVE	
13	04444950	FEMALE ADAPTOR	1/4" - ø6
14	04444870	BULKHEAD CONNECTOR	1/4"
15	04444840	3-WAY VALVE	1/2"
16	04447940	ELBOW UNION	1/8" - ø 8
17	04444670	AIR HOSE 1	ø 6 - 160 mm
18	04447920	AIR HOSE 2	ø 6 - 200 mm
19	04444680	AIR HOSE 3	ø 8 - 80 mm
20	04447930	AIR HOSE 5	ø 12
21	04444830	TOP MOUNTING RING	
22	04447820	EXHAUST FILTER	
23	04001230	ELBOW JOINT	1/4"
24	04001130	ELBOW UNION	1/2" ø 8

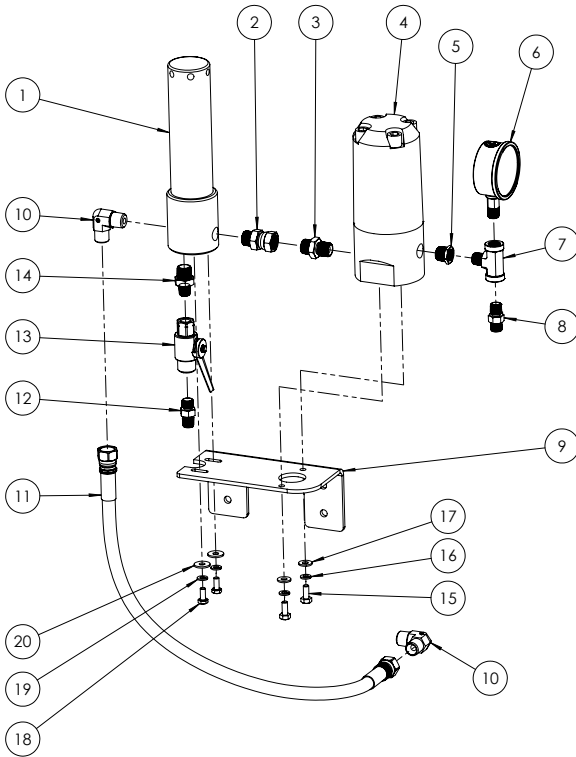


AIRLESS REGULATOR SET - Multi Spray - Cart Mount

Ref.	Code	Description	
-	94445740	AIRLESS REGULATOR SET - CART MOUNT	
1	04445640	PANEL	
2	04444930	ELBOW UNION	1/2" MF
3	04444860	REDUCER	G1/2" - G1/4"
4	UL30010501	SPECIAL NIPPLE	R1/4" - G1/4"
5	04445650	ELBOW JOINT	1/2"
6	04444830	TOP MOUNTING RING	
7	04444950	FEMALE ADAPTOR	1/4" - ø 6
8	04444910	NIPPLE	1/2"
9	04444850	"T" ADAPTOR	1/2" FFF
10	UL30036000	SAFETY VALVE	
11	04444670	AIR HOSE	ø 6
12	04444920	ELBOW MALE ADAPTOR	1/2" x ø 12
13	04444940	ELBOW MALE ADAPTOR	1/8" x ø 6
14	04444650	PRESSURE GAUGE	
15	04444840	3-WAY VALVE	1/2"
16	04444800	AIR REGULATOR	
17	04447820	EXHAUST FILTER	



iCon FLATLINE COATING SYSTEM



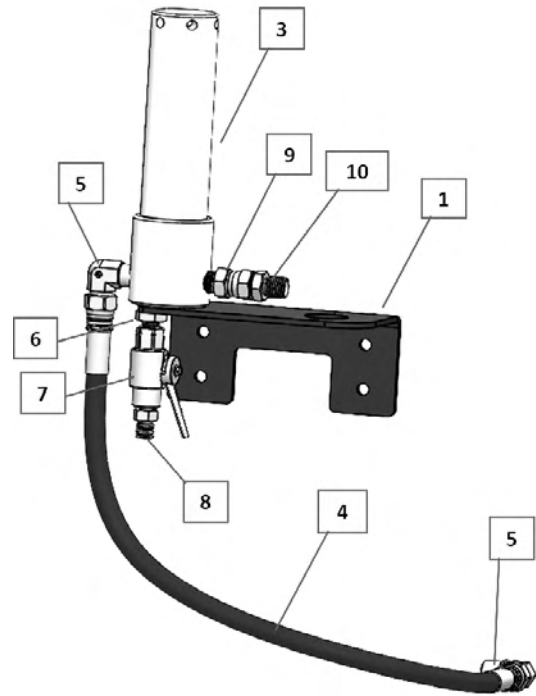
High Pressure Fluid Regulator Kit For Flatline - Wall Mount

Ref.	Code	Description
-	9936	HIGH PRESSURE FLUID REGULATOR KIT
1	1457000000	TF-8N paint filter set
2	UL300402	3/8 MBSPT to 3/8 FBSP
3	5025	3/8" G to NPT Male straight adaptor, Stainless Steel
4	9921	100-1250 psi fluid pressure reg
4	9925	1000-3000 psi fluid pressure reg
5	5026	1/4" G to NPT Male straight adaptor, Stainless Steel
6	9926	0-2000 psi pressure gauge, stainless, liquid filled, 1/4"npt
7	5023	1/4" NPT inline tee, Stainless Steel
8	5022	3/8" to 1/4" NPT Reducing Bushing, Stainless Steel
9	9918	iCon wall mount fluid regulator bracket
10	5024	3/8" G to R Male 90 elbow, stainless steel
11	9924	3/8" high pressure fluid hose, 2' long
12	UL300302	1/4 MBSPT to 8x6 hose connector
13	UL30090100	1/4 FBSPT ball valve
14	UL300453	3/8 MBSPT to 1/4 MBSPT straight connector
15	5019	Bolt, 1/4"-20 x 5/8" x2
16	5020	Split Lock Washer, 1/4" x2
17	5021	Washer, 1/4" x2
18	5016	Bolt, M6-1 x 14mm x2
19	5017	Split Lock Washer, M6 x2
20	5018	Washer, M6 x2



High Pressure Fluid Regulator Prep Kit For Flatline - Wall Mount

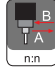


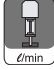

Ref.	Code	Description
-	9937	HIGH PRESSURE REGULATOR PREP (NO REGULATOR)
1	9918	iCon wall mount fluid regulator bracket
3	1457000000	TF-8N paint filter set
4	9924	3/8" high pressure fluid hose, 2' long
5	5024	3/8" G to R Male 90 elbow, Stainless Steel
6	UL300453	3/8MBSPT to 1/4 MBSPT straight connector
7	UL30090100	1/4 FBSPT ball valve
8	UL300302	1/4 MBSPT to 8x6 hose connector
9	UL300402	3/8 MBSPT to 3/8 FBSPP
10	5025	3/8" G to NPT Male straight adaptor, Stainless Steel



FEATURES

- Equipped with:
Air regulator
Paint filter unit
Suction rod with filter
Fluid recirculation hose
Overpressure valve

TECHNICAL

	 n:n	 bar/psi	 bar/psi	 l/min	 mesh
MSU 11N	13:1	88/1,276	6.8/98	1.9 (110 cyc)	50
MSU 32N	17:1	114/1,666	6.8/98	3.5	50

Air Nipple (to gun): G1/4" • Air Nipple (to pump): G1/4"
Fluid Nipple (to gun): G1/4" • Fluid Inlet: G1/2"

MSU 11N



MSU 32N



ORDER Information - MSU 11N 13:1 MULTI SPRAY UNIT

Code	Description	Order Ref.	Type
7161	MSU Multi Spray Unit	111N	Stand Mount
7163	MSU Multi Spray Unit	113N	Cart Mount
7164	MSU Multi Spray Unit	114N	Wall Mount
7166	MSU Multi Spray System	111N-SYS	Stand Mount with Gun and Hoses
7168	MSU Multi Spray System	113N-SYS	Cart Mount with Gun and Hoses
7169	MSU114N-SYS Multi Spray System		Wall Mount with Gun and Hoses

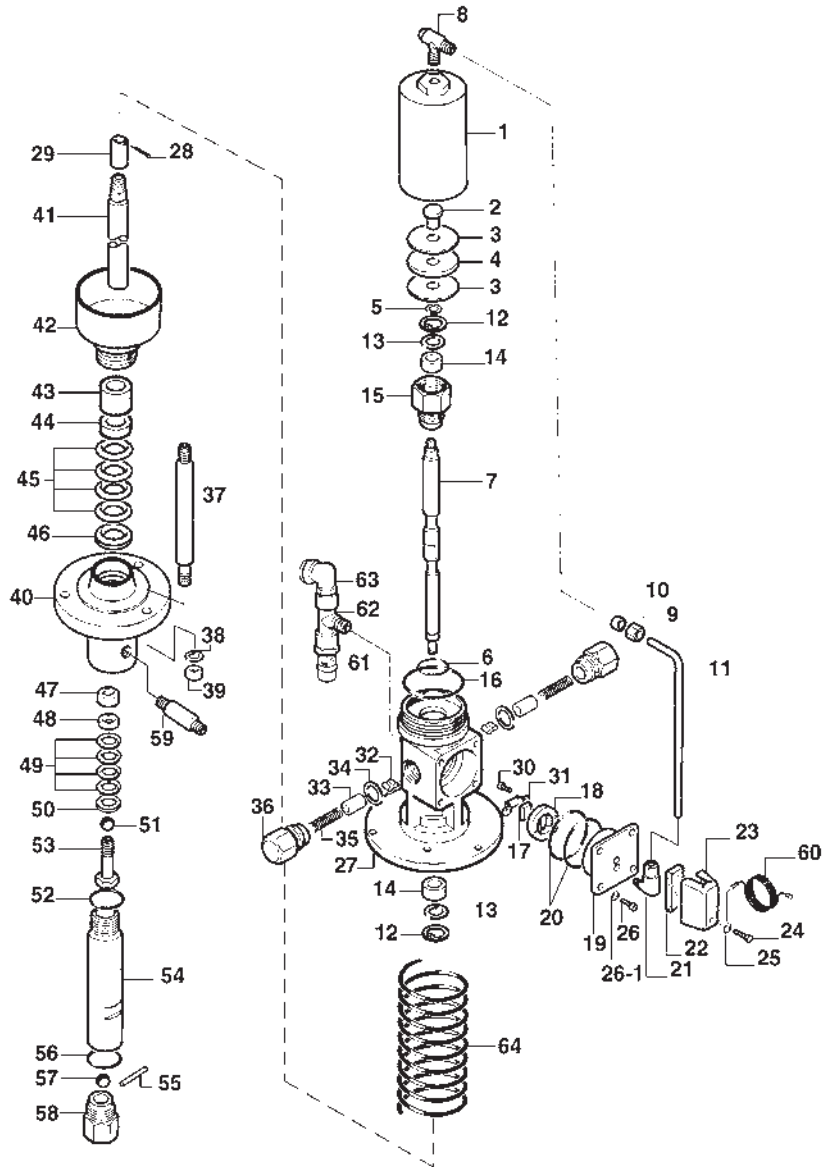
ORDER Information - MSU 32N 17:1 MULTI SPRAY UNITS

Code	Description	Order Ref.	Type
7173	MSU Multi Spray Unit	323N	Cart Mount
7178	MSU Multi Spray System	323N-SYS	Cart Mount with Gun and Hoses
7174	MSU Multi Spray Unit	324N	Wall Mount
7179	MSU Multi Spray System	324N-SYS	Wall Mount with Gun and Hoses
7178-H	MSU Multi Spray System		Cart Mount with Gun and Hoses (No Paint Filter & No Recirculation Valve)



MSU 11N 13:1

Ref.	Code	Description
1	04401051	AIR CYLINDER
2	04437050	CAP NUT
3	04444050	WASHER
4	09447080	PACKING
5	UL300800	WASHER
6	96630022	O-RING
7	94492050	SPINDLE SET
8	04438081	SPECIAL JOINT
9	06805480	JOINT NUT
10	06806480	SLEEVE
11	04486052	HOSE
12	06613240	STOPPER
13	04444090	WASHER
14	04449080	PACKING
15	04459051	STOPPER
16	96634060	O-RING
17	94488051	BLOCK
18	04406051	GUIDE PLATE
19	04405060	SEAT BLOCK
20	96634045	O- RING
21	06800481	ELBOW UNION
22	94402050	EXHAUST MUFFLER
23	04405051	EXHAUST COVER
24	06154073	SCREW
25	96500406	SPRING WASHER
26	06136614	BOLT
26-1	UL300820	SPRING WASHER
27	04943051	MAIN BODY SET
28	UL300811	SPLIT PIN
29	04400080	ADAPTOR
30	06131308	SCREW
31	94488061	BLOCK CARRIER
32	04457062	INTERLOCK PIECE
33	04457090	INTERLOCK END PIECE
34	04428050	WASHER
35	94412060	SPRING
36	04458070	CAP
37	0171002010	CONNECTING ROD
38	UL300802	SPRING WASHER
39	UL300703	HEXAGON NUT
40	0448310100	SUCTION MAIN BODY
41	94403080	ROD
42	04404080	THINNER CUP SET
43	94022090	SLEEVE
44	94404090	V PACKING FEMALE UPPER ADAPTOR
45	94932100	UPPER V PACKING SET
46	94405090	V PACKING MALE UPPER ADAPTOR
47	04407050	NUT
48	94408050	V PACKING MALE LOWER ADAPTOR
49	94930100	LOWER V PACKING SET
50	94410050	V PACKING FEMALE LOWER ADAPTOR
51	96662025	BALL
52	94447600	PACKING
53	94461100	VALVE HOLDER SET
54	0101010000	SUCTION TUBE
54	ITDA-55G90	SUCTION TUBE - 55 GALLON
55	94420600	PIN
56	94447610	PACKING
57	96662050	BALL
58	94407060	VALVE ADAPTOR SET

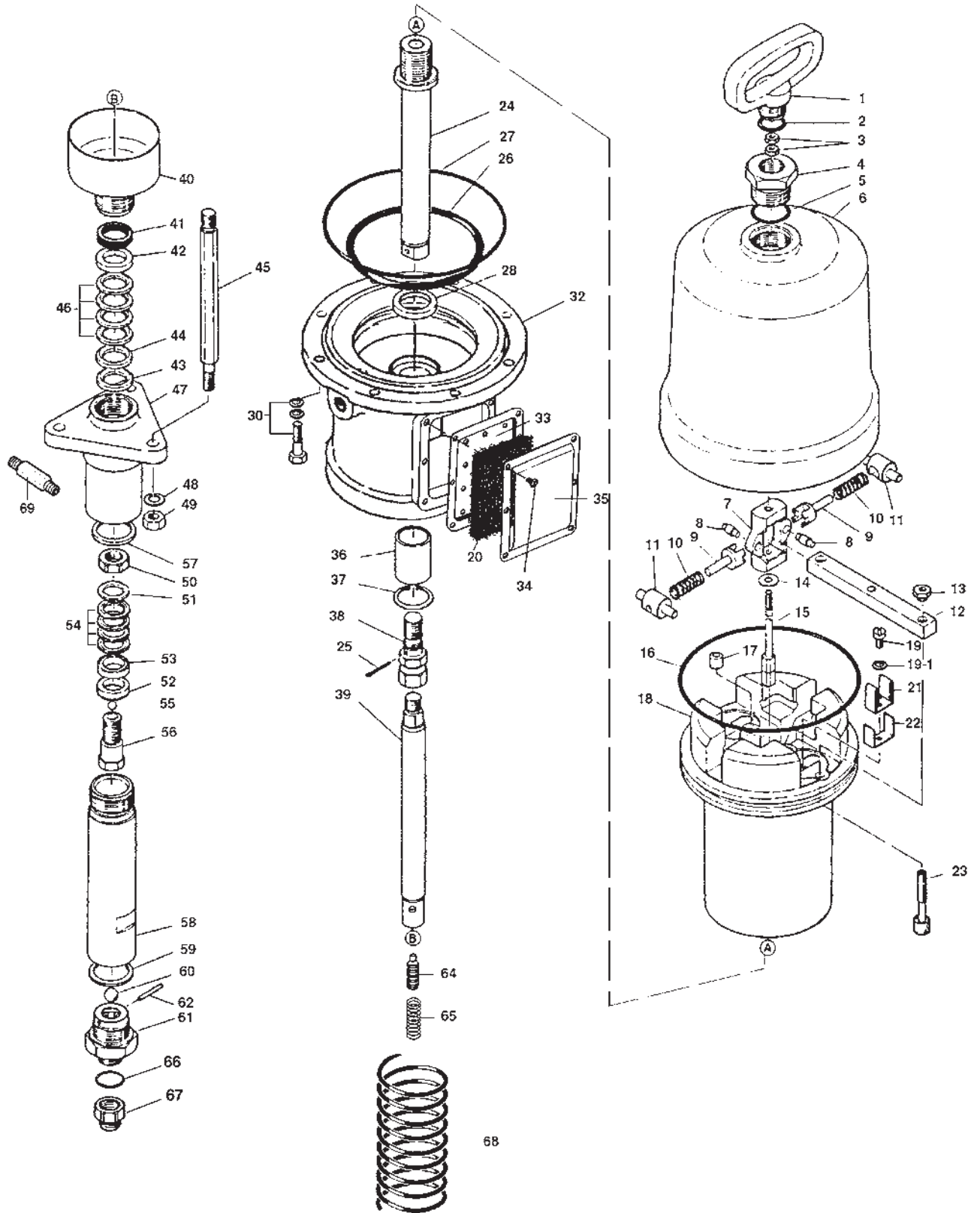


Ref.	Code	Description
59	UM43060900	FLUID OUTPUT JOINT
60	ME100001	GROUND WIRE
61	UL30036000	SAFETY VALVE
62	UL30030000	"T" JOINT
63	UL300309	"L" QUICK COUPLING
64	04413050	SPRING

KITS & OPTIONAL ACCESSORIES

Code	Description
7956	AIR MOTOR REPAIR KIT (includes: 4, 6, 16, 17, 20, 31, 34)
7967	PUMP REPAIR KIT - MAJOR MAINTENANCE (includes: 44, 45, 46, 48, 49, 50, 52, 55, 56, 57)
7968	PUMP REPAIR KIT - MINOR MAINTENANCE (includes: 45, 49, 51, 52, 55, 56, 57)
04407070	PP7131N PLUNGER PUMP ONLY
04931360	MSU PUMP BASE SET W/ AIR REGULATOR SET
04320150	MSU CART FRAME SET

MSU 32N 17:1



MSU 32N 17:1

Ref.	Code	Description	
1	94470100	HANDLE	
2	94447100	PACKING	
3	96381066	NUT	
4	94435100	HEAD BOLT	
5	96630030	O RING	
6	94401102	AIR CYLINDER	
7	94409100	CHANGEOVER BODY	
8	94420100	PIN	
9	94411100	CHANGEOVER PIN	
10	94412100	SPRING	
11	94419100	SPRING HOLDER	
12	94407100	CHANGEOVER BAR	
13	94415100	NUT	
14	94444110	WASHER	
15	94410100	CHANGEOVER ROD	
16	96638043	PISTON O-RING	
17	94935680	EXHAUST PACKING SET	2 pcs./1pk.
18	94403100	AIR PISTON	
19	96131610	SCREW	
20	94408100	CHANGEOVER BAR STAY	
21	94413100	REINFORCE PLATE	
22	94934690	VALVE SHAFT KIT	2 pcs./1pk.
23	94479100	PISTON ROD	
24	96553071	SPLIT PIN	
25	96638039	O RING	
26	96634120	O RING	
27	94459100	STOPPER	
28	94444100	WASHER	
29	UL300802	SPRING WASHER	
30	96236130	BOLT	10mm
31	94400101	AIR MOTOR BODY	
32	94405120	BAFFLE PLATE	
33	94404120	MUFFLER	
34	96234005	TAPPING SCREW	
35	94403120	EXHAUST COVER	
36	94431100	METAL	
37	96613320	STOP RING	
38	94485100	ADAPTOR	
39	94002790	ROD	
40	0171003001	WET CUP	
41	0171009000	SLIDE RING	
42	94004790	V PACKING FEMALE UPPER ADAPTOR	
43	94001160	SPACER	
44	94000800	V PACKING MALE UPPER ADAPTOR	
45	0171002010	CONNECTING ROD	
46	0494015000	UPPER V PACKING SET	4 pcs./1pk.
47	0171008000	SUCTION BODY	
48	96501006	SPRING WASHER	
49	96382106	NUT	10mm
50	94000790	VALVE HOLDER NUT	
51	94001800	V PACKING MALE LOWER ADAPTOR	
52	94000160	SPACER	
53	94005790	V PACKING FEMALE LOWER ADAPTOR	
54	94942150	LOWER V PACKING SET	4 pcs./1pk.
55	96662026	BALL (UPPER)	
56	0446017100	VALVE HOLDER SET	
57	0231015000	UPPER PACKING	
58	0171001000	SUCTION TUBE	
58	ITDA-55G90	SUCTION TUBE - 55 GALLON	

Ref.	Code	Description	
59	0231030000	LOWER PACKING	
60	96662051	BALL (LOWER)	
61	0231028000	VALVE ADAPTOR SET	
62	0231023000	PIN	
63	94420170	PIN	
64	UL300309	POP-OFF VALVE	
65	UL30030000	TEE JOINT	
66	UL30036000	PUSH-IN ELBOW	10mmBSP1/4"
67	94413050	GUARD SPRING	
68	ME100001	GROUNDING WIRE (NOT SHOWN)	
69	UM43060900	FLUID OUTPUT JOINT (NOT SHOWN)	
70	0469375100	WET CUP TOOL (NOT SHOWN)	

KITS & OPTIONAL ACCESSORIES

Code	Description
7951	AIR MOTOR REPAIR KIT (includes: 2, 5, 16, 17, 22, 25, 26)
7962	PUMP REPAIR KIT - MAJOR MAINTENANCE (includes: 42, 44, 46, 51, 53, 54, 55, 57, 59, 60, 62, 63)
7963	PUMP REPAIR KIT - MINOR MAINTENANCE (includes: 46, 54, 55, 57, 59, 60, 62, 63)

FEATURES

- For solvent and water-based paints
- All Versions Mounted on Cart with:
 - 2 Air regulators
 - Paint filter unit
 - Suction rod with filter
 - Fluid recirculation hose
 - Overpressure valve
 - Antipulsation hose (optional)

TECHNICAL					
	n:n	bar/psi	bar/psi	ℓ/min	mesh
MSU-323 C	17:1	115/1,667	6.8/98	3.4 (90 cyc)	50
MSU-323 CTX	17:1			3.4 (90 cyc)	50
MSU-423 TX	23:1	156/2,262	6.8/98	8.0 (100 cyc)	30
MSU-433 TX	30:1	204/2,958		5.0 (90 cyc)	30

Air Nipple: G1/4" • Fluid Nipple: G1/4"

MSU-323 C

Pump - PP1171C

MSU-323 CTX

Pump - PP1171CNE

MSU-423 TX | MSU-433 TX

Pump - PP4231NE

Pump - PP4231CNE

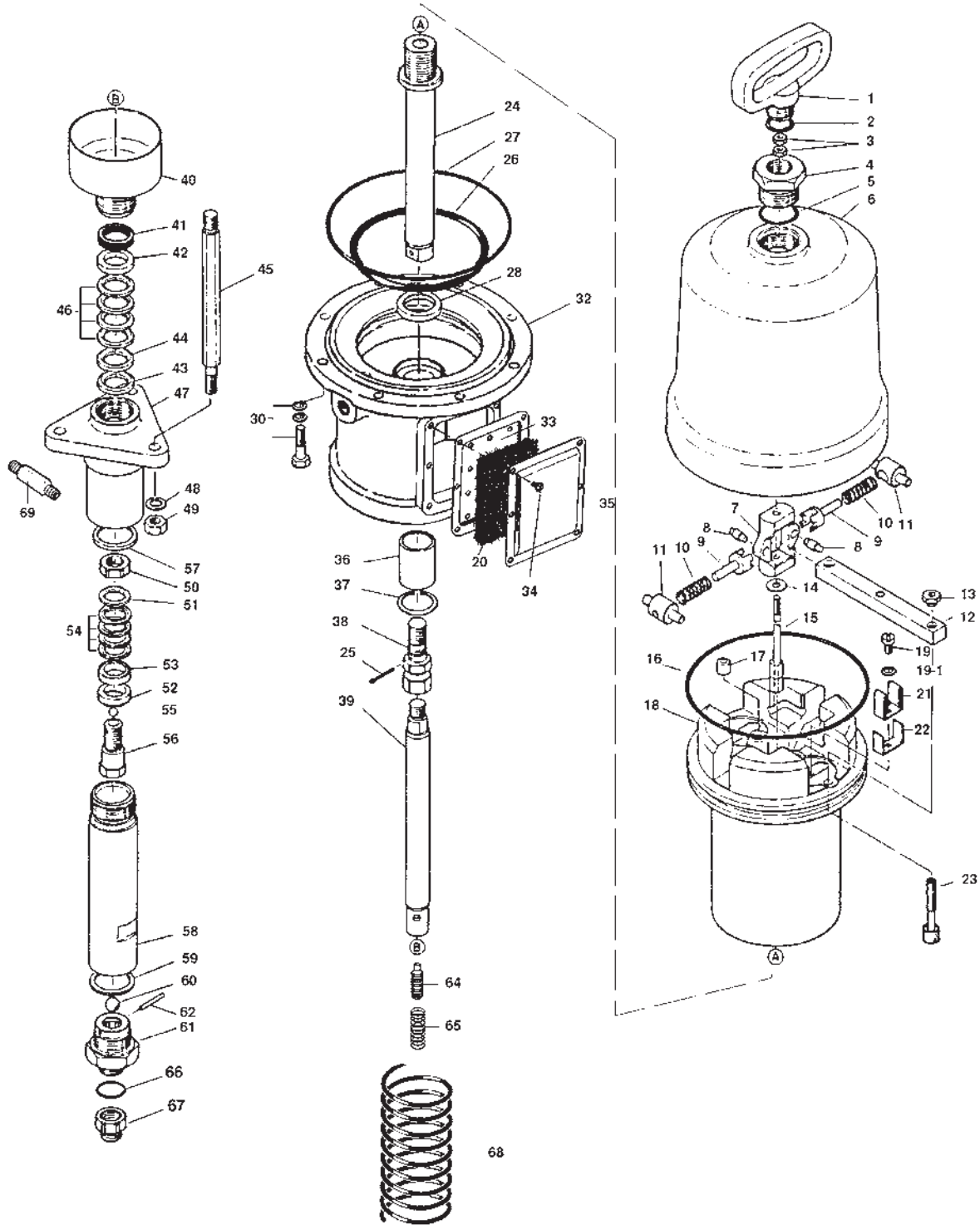


ORDER Information - MULTI SPRAY UNITS

Ref.	Code	Description
7180	MSU-323 C	MULTI SPRAY UNIT
7183	MSU-323 CTX	MULTI SPRAY UNIT WITH STAINLESS STEEL PAINT PASSAGES
7182	MSU-423 TX	MULTI SPRAY UNIT WITH STAINLESS STEEL PAINT PASSAGES
7181	MSU-433 TX	MULTI SPRAY UNIT WITH STAINLESS STEEL PAINT PASSAGES

ACCESSORIES

Code	Description	for Version
1456000000	TF 8 COMPLETE FILTER SET	for MSU-323 C
1457000000	TF 8N COMPLETE FILTER SET	for MSU-323 CTX, MSU-423 TX and MSU-433 TX
0200309501	AIR REGULATOR SET	for MSU-323 C and MSU-323 CTX
0200309601	AIR REGULATOR SET	for MSU-423 TX and MSU-433 TX
0101009000	SUCTION ROD SET (50 mesh filter)	for MSU-323 C
0101030000	SUCTION ROD SET w/STAINLESS STEEL CONNECTION (30 mesh filter)	for MSU-423 TX and MSU-433 TX
0101010000	SUCTION ROD SET w/STAINLESS STEEL CONNECTION (50 mesh filter)	for MSU-323 CTX



MSU-323 C | MSU-323 CTX | MSU-423 TX | MSU-433 TX

Ref.	Code	Description	MSU-323 C/N	MSU-323 CTX	MSU-423 TX	MSU-433 TX
1	04470100	HANDLE	X	X	X	X
2	94447100	PACKING	X	X	X	X
3	UL300702	HEXAGON NUT	X	X	X	X
4	04435100	HEAD BOLT				
4	04435150	HEAD BOLT	X	X	X	X
5	06630030	O RING	X	X	X	X
6	0440110000	AIR CYLINDER				
6	0440115000	AIR CYLINDER	X	X	X	X
7	04409100	CHANGEVER MAIN BODY				
7	04409150	CHANGEVER MAIN BODY	X	X	X	X
8	04420100	PIN				
8	04420150	PIN	X	X	X	X
9	04411100	CHANGEVER PIN				
9	04411150	CHANGEVER PIN	X	X	X	X
10	04412100	SPRING				
10	04412150	SPRING	X	X	X	X
11	04419100	SPRING HOLDER				
11	04419150	SPRING HOLDER	X	X	X	X
12	04407100	CHANGEVER BAR				
12	04407150	CHANGEVER BAR	X	X	X	X
13	04415100	NUT				
13	04415150	NUT	X	X	X	X
14	04444110	WASHER	X	X	X	X
15	04410100	CHANGEVER ROD				
15	04410150	CHANGEVER ROD	X	X	X	X
16	06638043	PISTON O-RING				
16	06630145	PISTON O-RING	X	X	X	X
17	94935680	EXHAUST PACKING SET	2 pcs./1pk.	X	X	X
18	0440310000	AIR PISTON				
18	0440315000	AIR PISTON	X	X	X	X
19	UL300606	SCREW	X	X	X	X
19-1	UL300820	SPRING WASHER	X	X	X	X
20	UM331028	MUFFLER FILTER	X	X	X	X
21	04408100	CHANGEVER BAR SUPPORT				
21	04408150	CHANGEVER BAR SUPPORT	X	X	X	X
22	04413100	REINFORCE PLATE				
22	04413150	REINFORCE PLATE	X	X	X	X
23	04934690	VALVE SHAFT KIT	2 pcs./1pk.			
23	04936570	VALVE SHAFT KIT	2 pcs./1pk.	X	X	X
24	04479100	PISTON ROD				
24	04479150	PISTON ROD	X	X	X	X
25	UM330155	SPLIT PIN	X	X	X	X
26	96638039	O RING				
26	96630112	O RING	X	X	X	X
27	96634120	O RING				
27	96637537	O RING	X	X	X	X
28	04459100	STOPPER	X	X	X	X
30	06137130	BOLT + WASHER				
30	06137830	BOLT + WASHER	X	X	X	X
32	UM33102102	MAIN BODY				
32	UM43102102	MAIN BODY	X	X	X	X
33	UM331027	MUFFLER PLATE	X	X	X	X
34	UL300620	SCREW	X	X	X	X
35	UM331026	EXHAUST COVER	X	X	X	X
36	04431100	BUSHING				
36	04431150	BUSHING	X	X	X	X
37	UL300804	STOPPER				
37	UM431060	STOPPER	X	X	X	X
38	04485100	CONNECTING ADAPTOR				
38	04485150	CONNECTING ADAPTOR	X	X	X	X
39	0231001000	ROD	X			
39	04430150	ROD		X		
39	04002790	ROD			X	
40	0231002001	THINNER CUP SET	X			
40	0448215002	THINNER CUP SET		X		
40	0171003001	THINNER CUP SET			X	
41	04471100	SLEEVE				
41	04010700	SLEEVE	X			
41	04471150	SLEEVE		X		
41	0171009000	SLEEVE			X	
42	94441100	V PACKING FEMALE UPPER ADAPTOR				
42	0231003000	V PACKING FEMALE UPPER ADAPTOR	X			
42	94441150	V PACKING FEMALE UPPER ADAPTOR		X		
42	04004790	V PACKING FEMALE UPPER ADAPTOR			X	
43	0231025000	SPACER	X			
43	04401160	SPACER		X	X	
43	04001160	SPACER				X
44	04443100	V PACKING MALE UPPER ADAPTOR				
44	0231005000	V PACKING MALE UPPER ADAPTOR	X			
44	04443150	V PACKING MALE UPPER ADAPTOR		X		
44	04000800	V PACKING MALE UPPER ADAPTOR			X	
44	0444320000	V PACKING MALE UPPER ADAPTOR				X



MSU-323 C | MSU-323 CTX | MSU-423 TX | MSU-433 TX

Ref.	Code	Description	MSU-323 C/N	MSU-323 CTX	MSU-423 TX	MSU-433 TX
45	0443011000	CONNECTING ROD				
45	0231022001	CONNECTING ROD	X		X	
45	0443016000	CONNECTING ROD		X		X
46	0493210000	UPPER V PACKING SET				
46	0494231100	UPPER V PACKING SET	4 pcs./1pk.	X		
46	0494015000	UPPER V PACKING SET	4 pcs./1pk.		X	
46	0494020000	UPPER V PACKING SET	4 pcs./1pk.			X
47	0448310100	SUCTION MAIN BODY				
47	0231008001	SUCTION MAIN BODY	X		X	
47	0448315100	SUCTION MAIN BODY		X		
47	0448320200	SUCTION MAIN BODY				X
48	UL300802	SPRING WASHER	X	X	X	X
49	UL300703	HEXAGON NUT	X	X	X	X
50	94445110	NUT				
50	0231020000	NUT	X			
50	94414150	NUT		X		
50	04000790	NUT			X	
50	0444520000	NUT				X
51	04443110	V PACKING MALE LOWER ADAPTOR				
51	0231019000	V PACKING MALE LOWER ADAPTOR	X			
51	94443161	V PACKING MALE LOWER ADAPTOR		X		
51	04001800	V PACKING MALE LOWER ADAPTOR			X	
51	0444321100	V PACKING MALE LOWER ADAPTOR				X
52	04402110	LOWER DISTANCE RING				
52	0231010000	LOWER DISTANCE RING	X			
52	04400160	LOWER DISTANCE RING		X		
52	0400016000	LOWER DISTANCE RING			X	
53	04441110	V PACKING FEMALE LOWER ADAPTOR				
53	0231017000	V PACKING FEMALE LOWER ADAPTOR	X			
53	04441160	V PACKING FEMALE LOWER ADAPTOR		X		
53	04005790	V PACKING FEMALE LOWER ADAPTOR			X	
53	0444121100	V PACKING FEMALE LOWER ADAPTOR				X
54	0493010000	LOWER V PACKING SET				
54	0494231200	LOWER V PACKING SET	4 pcs./1pk.	X		
54	0494215000	LOWER V PACKING SET	4 pcs./1pk.		X	
54	0494220000	LOWER V PACKING SET	4 pcs./1pk.			X
55	96662025	BALL		X		X
55	06662040	BALL	X			
55	06662026	BALL			X	
56	04461100	VALVE HOLDER SET				
56	0231029001	VALVE HOLDER SET	X			
56	04460160	VALVE HOLDER SET		X		
56	0446017100	VALVE HOLDER SET			X	
56	0446120000	VALVE HOLDER SET				X
57	94447600	UPPER PACKING				
57	0231007000	UPPER PACKING	X			
57	94447150	UPPER PACKING		X		
57	0231015000	UPPER PACKING			X	
57	0444720000	UPPER PACKING				X
58	0443410001	SUCTION TUBE				
58	0231024000	SUCTION TUBE	X			
58	0443415001	SUCTION TUBE		X		
58	0171001000	SUCTION TUBE			X	
58	0443420000	SUCTION TUBE				X
59	94447610	LOWER PACKING				X
59	0231030000	LOWER PACKING	X		X	
59	94447160	LOWER PACKING		X		
60	96662050	BALL		X		
60	06662051	BALL	X		X	
60	06662040	BALL				X
61	04407060	VALVE ADAPTOR SET				
61	0231028000	VALVE ADAPTOR SET	X		X	
61	04460150	VALVE ADAPTOR SET		X		
61	0446020000	VALVE ADAPTOR SET				X
62	04420600	PIN				X
62	0231023000	PIN	X		X	
62	04420160	PIN		X		
63	04420170	PIN		X	X	
63	0657502000	PIN				X
64	0231009000	SCREW	X			
65	0231014000	SPRING	X			
66	0231031000	PACKING	X		X	
67	UL30046400	NIPPLE	X		X	
68	04413050	SPRING	X	X	X	X
69	UM43061000	FLUID OUTPUT JOINT	X			
69	UM43060900	FLUID OUTPUT JOINT			X	
72	UM43061101	FLUID OUTPUT JOINT		X		X

ALS-333 C | ALS-423 TX | ALS-433 C | ALS-433 TX

FEATURES

- For solvent and water-based paints
- All versions mounted on cart with:
 - Air regulator
 - Paint filter unit
 - Suction rod with filter
 - Fluid recirculation hose
 - Overpressure valve
 - Antipulsation hose (optional)

TECHNICAL	n:n	bar/psi	bar/psi	l/min	mesh
ALS-333 C	25:1	170/2,456	6.8/98	2.5 (90 cyc)	50
ALS-423 TX	23:1	156/2,262		8.0 (100 cyc)	30
ALS-433 C	30:1	204/2,958		5.0 (90 cyc)	50
ALS-433 TX	30:1			5.0 (90 cyc)	30

Air Nipple: G1/4" • Fluid Nipple: G1/4"

ALS-333 C

Pump - PP1251C

ALS-423 TX

Pump - PP4231NE

ALS-433 C | ALS-433 TX

Pump - PP4301C

Pump - PP4301CNE

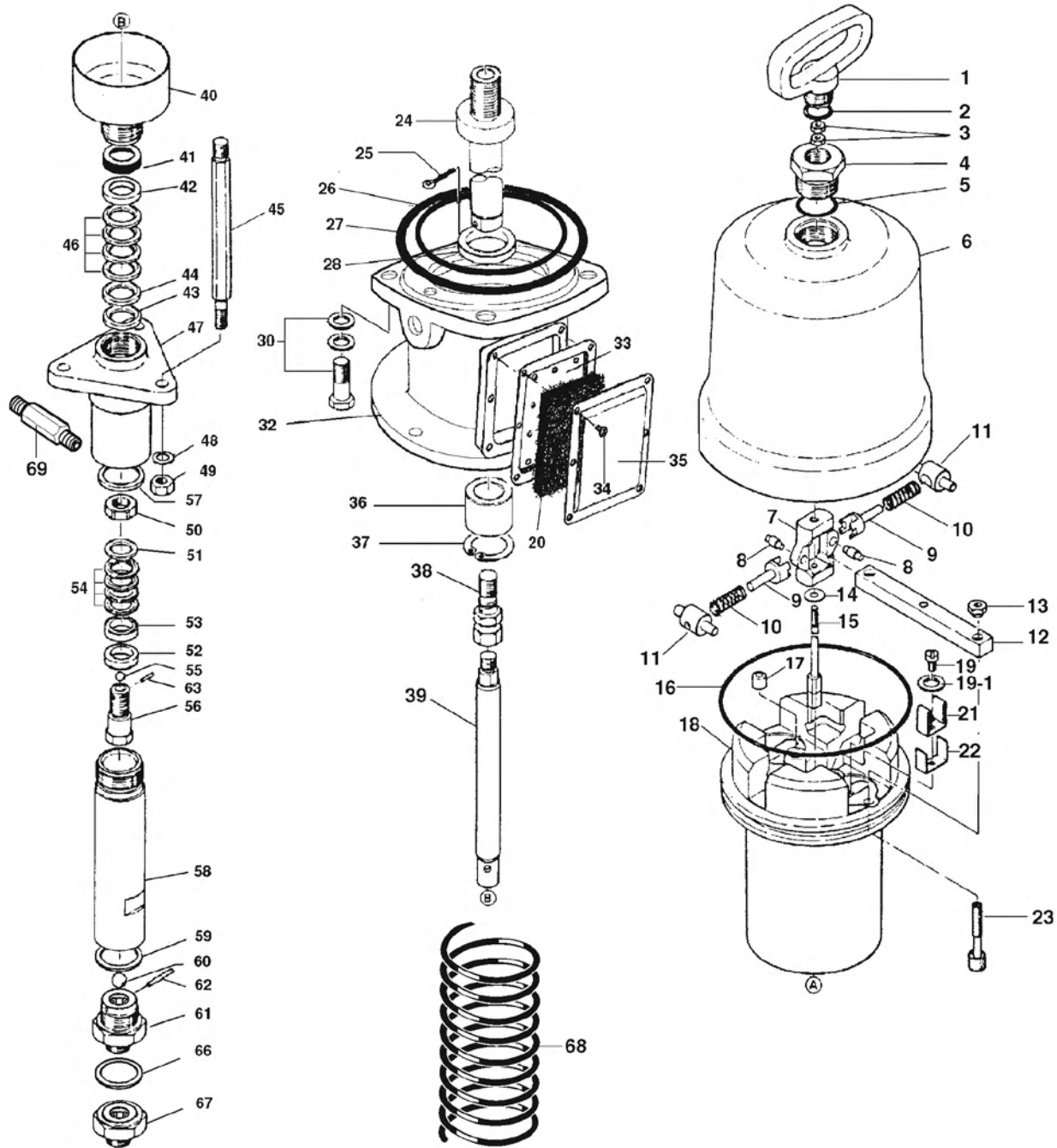


ORDER Information - AIRLESS UNITS

Code	Description
7510B	ALS-333 C AIRLESS UNIT
7516	ALS-423 TX AIRLESS UNIT with STAINLESS STEEL PAINT PASSAGES
1405834800	ALS-433 C AIRLESS UNIT with STAINLESS STEEL PAINT PASSAGES
1A301W083100	ALS-433 TX AIRLESS UNIT (WATER BASED VERSION)

ACCESSORIES

Code	Description	for Version
8132	TF 8 COMPLETE FILTER SET	for ALS 333 C- ALS 433 C
1457000000	TF 8N COMPLETE FILTER SET	for ALS 423 TX- ALS 433 TX
0200309101	AIR REGULATOR SET	for ALS 333 C
0200309401	AIR REGULATOR SET	for ALS 423 TX- ALS 433 C - ALS 433 TX
0101009000	SUCTION ROD SET (50 mesh filter)	for ALS 333 C - ALS 433 C
0101030000	SUCTION ROD SET w/STAINLESS STEEL CONNECTION (30 mesh filter)	for ALS 423 TX- ALS 433 TX



ALS-333 C | ALS-423 TX | ALS-433 C | ALS-433 TX

Ref.	Code	Description		ALS-333 C	ALS-423 TX	ALS-433 C	ALS-433 TX
1	04470100	HANDLE		X	X	X	X
2	94447100	PACKING		X	X	X	X
3	UL300702	HEXAGON NUT		X	X	X	X
4	04435100	HEAD BOLT		X			
4	04435150	HEAD BOLT			X	X	X
5	06630030	O RING		X	X	X	X
6	0440110000	AIR CYLINDER		X			
6	0440115000	AIR CYLINDER			X	X	X
7	04409100	CHANGEVER MAIN BODY		X			
7	04409150	CHANGEVER MAIN BODY			X	X	X
8	04420100	PIN		X			
8	04420150	PIN			X	X	X
9	04411100	CHANGEVER PIN		X			
9	04411150	CHANGEVER PIN			X	X	X
10	04412100	SPRING		X			
10	04412150	SPRING			X	X	X
11	04419100	SPRING HOLDER		X			
11	04419150	SPRING HOLDER			X	X	X
12	04407100	CHANGEVER BAR		X			
12	04407150	CHANGEVER BAR			X	X	X
13	04415100	NUT		X			
13	04415150	NUT			X	X	X
14	04444110	WASHER		X	X	X	X
15	04410100	CHANGEVER ROD		X			
15	04410150	CHANGEVER ROD			X	X	X
16	06638043	PISTON O-RING		X			
16	06630145	PISTON O-RING			X	X	X
17	94935680	EXHAUST PACKING SET	2 pcs./1pk.	X	X	X	X
18	0440310000	AIR PISTON		X			
18	0440315000	AIR PISTON			X	X	X
19	UL300606	SCREW		X	X	X	X
19-1	UL300820	SPRING WASHER		X	X	X	X
20	UM331028	MUFFLER FILTER		X	X	X	X
21	04408100	CHANGEVER BAR SUPPORT		X			
21	04408150	CHANGEVER BAR SUPPORT			X	X	X
22	04413100	REINFORCE PLATE		X			
22	04413150	REINFORCE PLATE			X	X	X
23	04934690	VALVE SHAFT KIT	2 pcs./1pk.	X			
23	04936570	VALVE SHAFT KIT	2 pcs./1pk.		X	X	X
24	04479100	PISTON ROD		X			
24	04479150	PISTON ROD			X	X	X
25	UM330155	SPLIT PIN		X	X	X	X
26	96638039	O RING		X			
26	96630112	O RING			X	X	X
27	96634120	O RING		X			
27	96637537	O RING			X	X	X
28	04459100	STOPPER		X	X	X	X
30	06137130	BOLT + WASHER		X			
30	06137830	BOLT + WASHER			X	X	X
32	UM33102102	MAIN BODY		X			
32	UM43102102	MAIN BODY			X	X	X
33	UM331027	MUFFLER PLATE		X	X	X	X
34	UL300620	SCREW		X	X	X	X
35	UM331026	EXHAUST COVER		X	X	X	X
36	04431100	BUSHING		X			
36	04431150	BUSHING			X	X	X
37	UL300804	STOPPER		X			
37	UM431060	STOPPER			X	X	X
38	04485100	CONNECTING ADAPTOR		X			
38	04485150	CONNECTING ADAPTOR			X	X	X
39	04430100	ROD		X			
39	0231001000	ROD			X		
39	04430150	ROD				X	
39	04002790	ROD					X
39	0443021000	ROD					
40	0448210003	THINNER CUP SET		X			
40	0231002001	THINNER CUP SET			X		
40	0448215002	THINNER CUP SET				X	
40	0171003001	THINNER CUP SET					X
40	0448220001	THINNER CUP SET					
41	04471100	SLEEVE		X			
41	04010700	SLEEVE			X		
41	04471150	SLEEVE				X	
41	0171009000	SLEEVE					X
41	0447120000	SLEEVE					
42	94441100	V PACKING FEMALE UPPER ADAPTOR		X			
42	0231003000	V PACKING FEMALE UPPER ADAPTOR			X		
42	94441150	V PACKING FEMALE UPPER ADAPTOR				X	
42	04004790	V PACKING FEMALE UPPER ADAPTOR					X
42	0444120000	V PACKING FEMALE UPPER ADAPTOR					
43	04401110	SPACER		X			
43	0231025000	SPACER			X		
43	04401160	SPACER				X	X



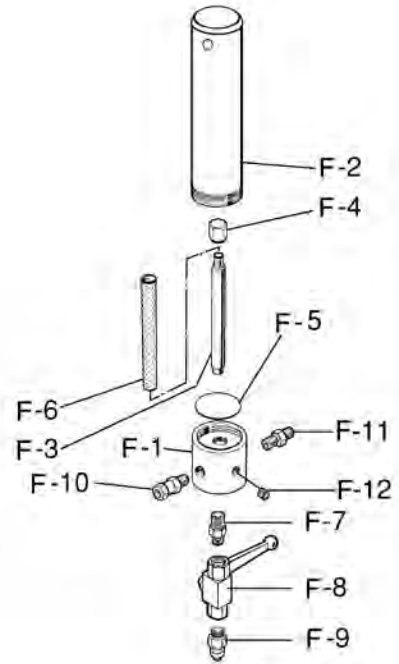
ALS-333 C | ALS-423 TX | ALS-433 C | ALS-433 TX

Ref.	Code	Description		ALS-333 C	ALS-423 TX	ALS-433 C	ALS-433 TX
43	04001160	SPACER					
44	04443100	V PACKING MALE UPPER ADAPTOR		X			
44	0231005000	V PACKING MALE UPPER ADAPTOR			X		
44	04443150	V PACKING MALE UPPER ADAPTOR				X	
44	04000800	V PACKING MALE UPPER ADAPTOR					X
44	0444320000	V PACKING MALE UPPER ADAPTOR					
45	0443011000	CONNECTING ROD		X			
45	0231022001	CONNECTING ROD			X		X
45	0443016000	CONNECTING ROD				X	
46	0493210000	UPPER V PACKING SET	4 pcs./1pk.	X			
46	0494231100	UPPER V PACKING SET	4 pcs./1pk.		X		
46	0494015000	UPPER V PACKING SET	4 pcs./1pk.			X	X
46	0494020000	UPPER V PACKING SET	4 pcs./1pk.				
47	0448310100	SUCTION MAIN BODY		X			
47	0231008001	SUCTION MAIN BODY			X		X
47	0448315100	SUCTION MAIN BODY				X	
47	0448320200	SUCTION MAIN BODY					
48	UL300802	SPRING WASHER		X	X	X	X
49	UL300703	HEXAGON NUT		X	X	X	X
50	94445110	NUT		X			
50	0231020000	NUT			X		
50	94414150	NUT				X	
50	04000790	NUT					X
50	0444520000	NUT					
51	04443110	V PACKING MALE LOWER ADAPTOR		X			
51	0231019000	V PACKING MALE LOWER ADAPTOR			X		
51	94443161	V PACKING MALE LOWER ADAPTOR				X	
51	04001800	V PACKING MALE LOWER ADAPTOR					X
51	0444321100	V PACKING MALE LOWER ADAPTOR					
52	04402110	LOWER DISTANCE RING		X			
52	0231010000	LOWER DISTANCE RING			X		
52	04400160	LOWER DISTANCE RING				X	
52	0400016000	LOWER DISTANCE RING					X
53	04441110	V PACKING FEMALE LOWER ADAPTOR		X			
53	0231017000	V PACKING FEMALE LOWER ADAPTOR			X		
53	04441160	V PACKING FEMALE LOWER ADAPTOR				X	
53	04005790	V PACKING FEMALE LOWER ADAPTOR					X
53	0444121100	V PACKING FEMALE LOWER ADAPTOR					
54	0493010000	LOWER V PACKING SET	4 pcs./1pk.	X			
54	0494231200	LOWER V PACKING SET	4 pcs./1pk.		X		
54	0494215000	LOWER V PACKING SET	4 pcs./1pk.			X	X
54	0494220000	LOWER V PACKING SET	4 pcs./1pk.				
55	96662025	BALL		X		X	
55	06662040	BALL			X		
55	06662026	BALL					X
56	04461100	VALVE HOLDER SET		X			
56	0231029001	VALVE HOLDER SET			X		
56	04460160	VALVE HOLDER SET				X	
56	0446017100	VALVE HOLDER SET					X
56	0446120000	VALVE HOLDER SET					
57	94447600	UPPER PACKING		X			
57	0231007000	UPPER PACKING			X		
57	94447150	UPPER PACKING				X	
57	0231015000	UPPER PACKING					X
57	0444720000	UPPER PACKING					
58	0443410001	SUCTION TUBE		X			
58	0231024000	SUCTION TUBE			X		
58	0443415001	SUCTION TUBE				X	
58	0171001000	SUCTION TUBE					X
58	0443420000	SUCTION TUBE					
59	94447610	LOWER PACKING		X			
59	0231030000	LOWER PACKING			X		X
59	94447160	LOWER PACKING				X	
60	96662050	BALL		X		X	
60	06662051	BALL			X		X
60	06662040	BALL					
61	04407060	VALVE ADAPTOR SET		X			
61	0231028000	VALVE ADAPTOR SET			X		X
61	04460150	VALVE ADAPTOR SET				X	
61	0446020000	VALVE ADAPTOR SET					
62	04420600	PIN		X			
62	0231023000	PIN			X		X
62	04420160	PIN				X	
63	04420170	PIN				X	X
63	0657502000	PIN					
64	0231009000	SCREW			X		
65	0231014000	SPRING			X		
66	0231031000	PACKING			X		X
67	UL30046400	NIPPLE			X		X
68	04413050	SPRING		X	X	X	X
69	UM43061000	FLUID OUTPUT JOINT			X		
69	UM43060900	FLUID OUTPUT JOINT					X
72	UM43061101	FLUID OUTPUT JOINT		X		X	

PAINT FILTER UNITS

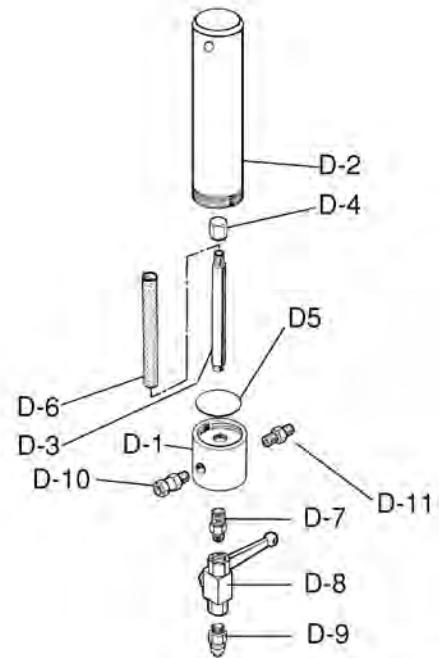
TF8 for ALS-333 C | ALS-433 C | MSU-323 C

Ref.	Code	Description	
	145600000	TF8 COMPLETE PAINT FILTER SET	
F-1	04560670	BODY	
F-2	04561670	CYLINDER	
F-3	0457000300	SCREW	
F-4	0457000400	NUT	
F-5	96639045	O RING	
F-6	AG10005000	FILTER 60 Mesh	
F-6	VFM2503	FILTER 100 Mesh	
F-7	UL300020	NIPPLE	R 3/8" M - R 1/4" M
F-8	UL300900	DRAIN VALVE	G 1/4" FF
F-9	UL300302	HOSE JOINT	R 1/4" M - M8X6
F-10	UL300018	SWIVEL JOINT	R 1/4" M - G 1/4" F
F-11	UL300012	NIPPLE	G 1/4" M - R 1/4" M
F-12	96990412	PLUG	R 1/4"



TF-8N for ALS-423 | ALS-433
MSU-323 C | MSU-423 TX | MSU-433 TX | MSU-113N

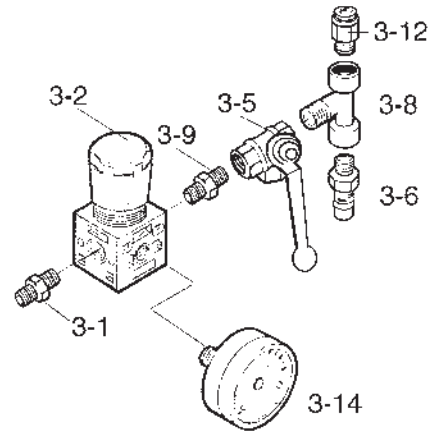
Ref.	Code	Description	
	04935360	TF-8N COMPLETE FILTER SET	
D-1	0457000200	BODY	
D-2	0457000100	CYLINDER	
D-3	0457000300	SCREW	
D-4	0457000400	NUT	
D-5	96639045	O RING	
D-6	AG10005000	FILTER 60 Mesh	
D-6	VFM2503	FILTER 100 Mesh	
D-7	UL300453	NIPPLE	R 1/4" M - R 3/8" M
D-8	UL30090100	DRAIN VALVE	G 1/4" FF
D-9	UL300302	HOSE JOINT	R 1/4" M - M8X6
D-10	UL300402	UNION JOINT	MF 3/8"
D-11	UL30046300	FLUID OUTPUT JOINT	M 3/8" - G 1/4" M



AIR REGULATORS

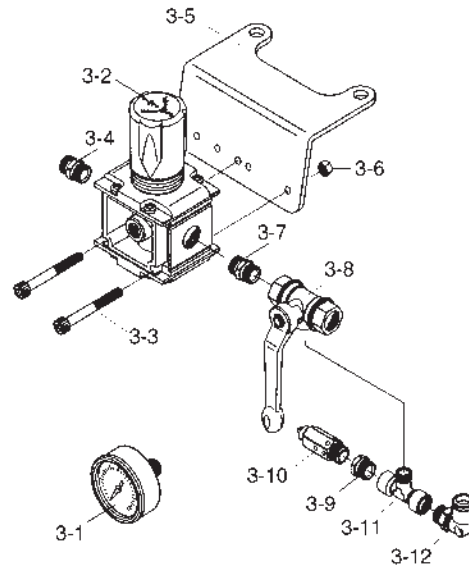
AIR REGULATOR for ALS-333 C

Ref.	Code	Description	
	0200309101	AIR REGULATOR SET	
3-1	UL30010501	SPECIAL NIPPLE	G1/4" M-R 1/4"M
3-2	UI00070000	AIR REGULATOR	G1/4"
3-5	UL30034901	BALL VALVE WITH EXHAUST HOLE	G 1/4" FF
3-6	UL30036000	SAFETY VALVE	G 1/4"
3-8	UL30030000	"T" JOINT	1/4" F/M/F
3-9	UL300101	NIPPLE	1/4" MM
3-12	UL300312	QUICK JOINT	1/4" M
3-14	02004003	PRESSURE GAUGE	(Optional)



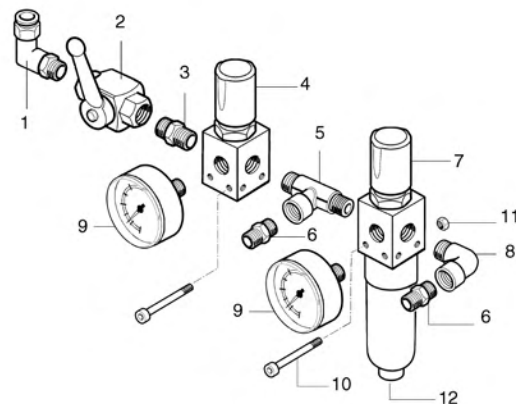
AIR REGULATOR ALS-433 C | ALS-433 | ALS-423 TX

Ref	Code	Description	
	0200309401	AIR REGULATOR SET	
3-1	02004003	PRESSURE GAUGE	(Optional)
3-2	UI00080000	AIR REGULATOR 3/8"	
3-3	UL30061900	SCREW	
3-4	0475050110	JOINT G1/4"- R 3/8"	
3-5	UL00005200	PLATE	
3-6	UL30070600	NUT	
3-7	UL30010200	NIPPLE R3/8"	
3-8	UL30034801	3 WAY VALVE 3/8"	
3-9	UL300163	REDUCTION R3/8" G1/4" MF	
3-10	UL30036000	SAFETY VALVE G 1/4"	
3-11	UL30029800	"T" JOINT 3/8" F/M/F	
3-12	UL30031300	QUICK JOINT 3/8" 10x12	



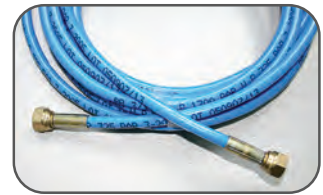
AIR REGULATOR for MSU 11N and MSU 32N

Ref	Code	Description	
	04931361	AIR REGULATOR SET	
1	UL300309	"L" QUICK COUPLING	1/4" M
2	UL30034901	BALL VALVE WITH EXHAUST HOLE	G 1/4" FF
3	UL300101	NIPPLE	1/4" MM
4	UI00070001	AIR REGULATOR	G 1/4"
5	UL300303	UNION "T" JOINT	G1/4" F-R1/4" MM
6	UL30010501	SPECIAL NIPPLE	G1/4" M-R 1/4" M
7	UI00070101	AIR REGULATOR + FILTER	G 1/4"
8	UL300201	"L" JOINT 1/4" MF	
9	92004003	PRESSURE GAUGE	(Optional)
10	06350455	HEXAGON SOCKET BOLT (POST 2018)	(Optional)
11	UL300700	HEXAGON NUT	
12	MC1-F71	WATER SEPARATOR BOWL	
	MC1-R3	BLANK (NO BOWL)	



MEDIUM & HIGH PRESSURE HOSES

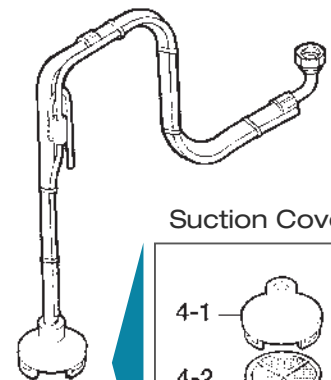
Code	Description		Length	Type	Nipples
HIGH PRESSURE HOSES (Fluid) for AIRLESS UNITS					
8250N	NPM325 25' HOSE	3/16"	25'	FLUID	1/4"-1/4"
8251N	NPM350 50' HOSE	3/16"	50'	FLUID	1/4"-1/4"



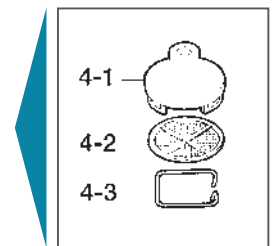
SUCTION ROD with FILTER

Ref	Code	Description
SUCTION ROD for ALS-333 C ALS-433 C ALS-453 C MSU-323 C		
	0101009000	SUCTION ROD SET with 50 MESH FILTER M15
4	UL10000701	COMPLETE COVER SET (50 MESH)
4-2	0040720100	FILTER 50 MESH
4-2	VFM3012	FILTER 100 MESH
4-3	00407203	FILTER STOPPER
SUCTION ROD for ALS-423 TX ALS-433 TX MSU-423 TX MSU-433 TX		
	0101030000	SUCTION ROD SET WITH STAINLESS STEEL CONNECTION - FILTER 30 MESH
4	UL10001801	COMPLETE COVER SET (30 MESH)
4-2	0040720400	FILTER 30 MESH
4-3	00407203	FILTER STOPPER
	0101010000	SUCTION ROD SET with STAINLESS STEEL CONNECTION - 50 MESH FILTER M15
4	UL10000701	COMPLETE COVER SET (50 MESH)
4-2	0040720100	FILTER 50 MESH
4-2	VFM3012	FILTER 100 MESH
4-3	00407203	FILTER STOPPER
	0101040000	SUCTION ROD SET WITH STAINLESS STEEL CONNECTION - FILTER 50 MESH
4	UL10000701	COMPLETE COVER SET (50 MESH)

Suction Rod

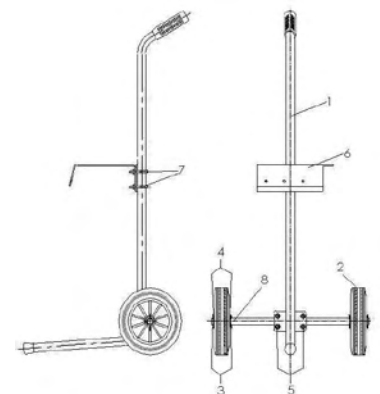


Suction Cover



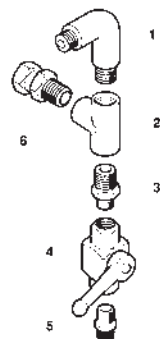
WHEEL CART for MSU-113N

Ref.	Code	Description
	04320150	WHEEL CART SET
1	04930360	FRAME SET
2	UL200001	WHEEL
3	UL300811	SPLIT PIN
4	Z00019	WASHER
5	06991930	U BOLT
6	04306150	PUMP BASE
7	04319150	U BOLT
8	04330150	SHAFT



DRAIN OPERATING VALVE SET for MSU-113N

Ref.	Code	Description
	04326160	DRAIN OPERATING VALVE SET
1	06858141	ELBOW MM
2	06641103	"T" JOINT FFF
3	UL300453	NIPPLE R 1/4" M- R 3/8" M
4	UL30090100	DRAIN VALVE G 1/4" FF
5	96891239	HOSE JOINT
6	UL300402	UNION JOINT MF 3/8"



PREMIUM MICRO-FABRIC SPRAY SUIT by FBS ProPlus Gard



The ANEST IWATA Premium Micro-Fabric Spray Suit is so comfortable you'll forget it's on. Micro coated material to provide a barrier against solvent and dust particles, yet lightweight and breathable for those hot summer days.

This spray suit provides anti-static, chemical protection and is well suited for work in paint shops, chemical industries, and many other related fields.

FEATURES

- Micro coated fabric to block particles from penetration
- Breathable, lightweight material
- Comfortable to wear all day in any temperature
- Anti-static reduces static build-up and prevents the risk of static discharge
- Machine washable - durable material and construction allows for reuse
- Two-way zipper - zips from torso and chin for comfort and convenience
- Scuba style hood for added protection and coverage
- Deep back pocket keeps accessible items secure while working
- Elastic wrist, ankle, and face protection from particles
- Elastic waist for optimal fit

ORDER Information - PREMIUM MICRO-FABRIC SPRAY SUIT

Ref.	Description
AIUS60501	M Body Height: 5'6" - 5'9"
AIUS60502	L Body Height: 5'9" - 6'0"
AIUS60503	XL Body Height: 6'0" - 6'2"
AIUS60504	XXL Body Height: 6'2" - 6'4"

EU Standard: Category III/EN 13034/Type 6



ANEST IWATA SPRAY GUN CABINET



Design specifically for the purpose of storing spray guns. This cabinet comes with a variety of spray gun holders to suit your different Anest Iwata spray gun needs. It can house up to 24 spray guns and has storage space for your accessories. This premium cabinet is made from high-quality steel with a powder-coated finish and features a digital lock and keyed entry to keep all of your equipment safe and secure.

Cabinet measures 20 x 30 x 12 inches, wall mount

ORDER Information	
Ref.	Description
PG-1A	ANEST IWATA SPRAY GUN CABINET (Single Unit)

**ANEST IWATA MK-5 PROFESSIONAL
SPRAY GUN MAINTENANCE KIT**



Keep your spray guns in tip top shape with the ANEST IWATA MK-5 Professional Spray Gun Maintenance Kit. It offers a variety of indispensable tools when it comes to cleaning and maintaining your spray guns.

ORDER Information - MK-5	
Ref.	Description
2950	ANEST IWATA MK-5 PROFESSIONAL SPRAY GUN MAINTENANCE KIT

ECLIPSE AIRBRUSH SERIES



Iwata Eclipse HP-CS Gravity Feed
Dual Action Airbrush



Iwata Eclipse HP-BS Gravity Feed
Dual Action Airbrush



Iwata Eclipse Takumi Side Feed Dual
Action Airbrush



Iwata Eclipse HP-BCS Siphon Feed Dual
Action Airbrush



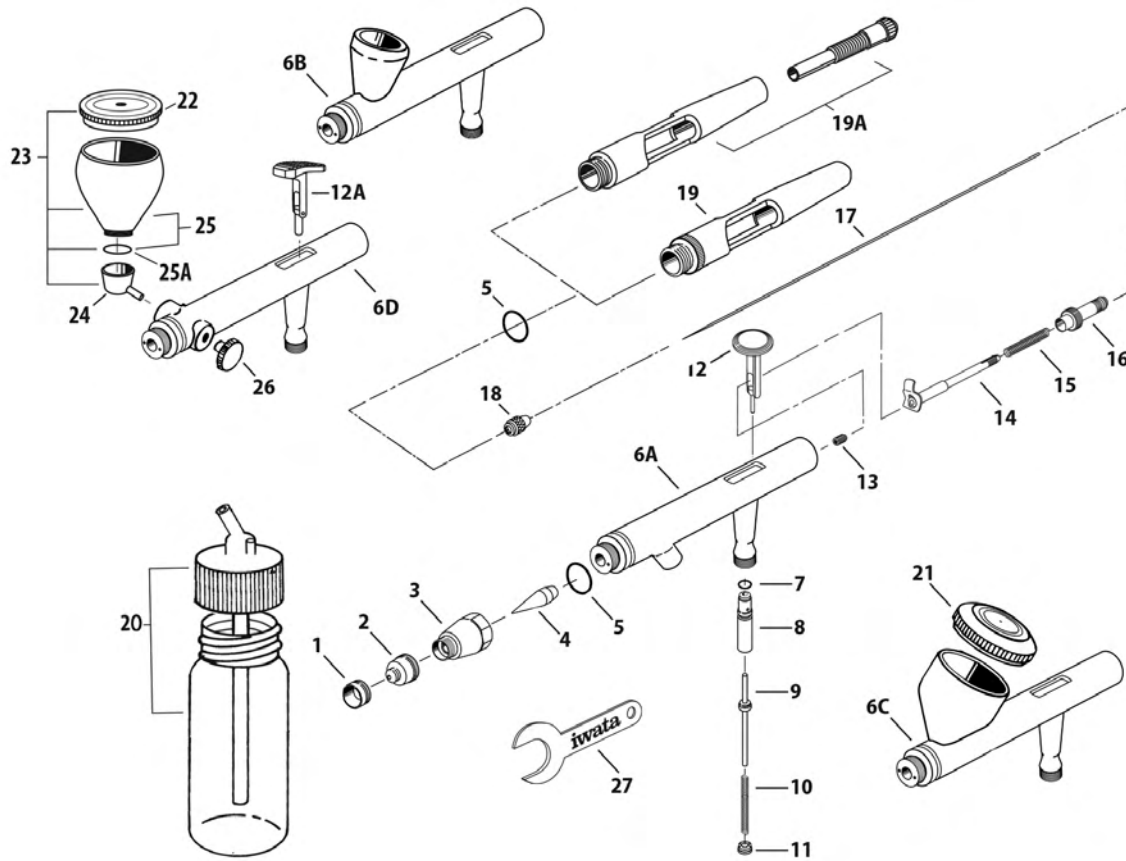
FEATURES

- High flow allows atomization of a wider variety of liquids with less need for reducing or thinning.
- Achieve a controlled fine line to controlled wide spray.
- Exclusive compression fit nozzle that is easy to clean and assemble.
- Quick Flush Cutaway Handle allows easy access to the needle to quickly empty the paint reservoir for cleaning.

**ORDER Information -
IWATA ECLIPSE SERIES AIRBRUSHES**

	Code	Head System
HP-CS GRAVITY	ECL4500	E3
HP-BS GRAVITY	ECL2500	E3
ECLIPSE TAKUMI	ECL350T	E3
HP-BCS SIPHON	ECL2000	E5

ECLIPSE AIRBRUSH SERIES



SPARE PARTS

#	ITEM DESCRIPTION	ITEM #	HP-BCS	HP-BS	HP-CS	TAKUMI	
1	Needle Cap	I6011	■	■	■	OPT	
1A	Needle Cap (Crown)	I1050	OPT	OPT	OPT	■	
2	Nozzle Cap	E5	I6021	■	x	x	x
		E3	I6022	x	■	■	■
3	Cap	I6031	■	■	■	■	
4	Nozzle	E5	I6041	■	x	x	x
		E3	I6042	x	■	■	■
5	O-ring	I6051	■	■	■	■	
6A	HP-BSC Body *	-	■	x	x	x	
6B	HP-BS Body *	-	x	■	x	x	
6C	HP-CS Body *	-	x	x	■	x	
6D	Takumi Body *	-	x	x	x	■	
7	Valve Piston Packing	I5801	■	■	■	■	
8	Air Valve Guide Body	I6081	■	■	■	■	
9	Air Valve	I6091	■	■	■	■	
10	Air Valve Spring	I5104	■	■	■	■	
11	Air Valve Guide Screw	I6111	■	■	■	■	
12	Main Lever	I6121	■	■	■	■	
12A	Main Lever (Control)	I6124	OPT	OPT	OPT	■	
13	Needle Packing Screw Set (PTFE)	I7251	■	■	■	■	
14	Needle Chucking Guide	I7151	■	■	■	■	
15	Needle Spring	I1352	■	x	x	x	
		I1351	x	■	■	■	

#	ITEM DESCRIPTION	ITEM #	HP-BCS	HP-BS	HP-CS	TAKUMI	
16	Spring Guide	I7701	■	■	■	■	
17	Needle	E5	I6171	■	x	x	x
		E3	I6172	x	■	■	x
		E3	I6176	x	x	x	■
18	Needle Chucking Nut	I1202	■	■	■	■	
19	Single Cut Handle	I6191	■	■	■	■	
	Preset Handle	I1552	OPT	OPT	OPT	OPT	
19A	Handle (Preset/Single Cut)	I1556	OPT	OPT	OPT	■	
20	Bottle	2 oz / 60 ml	A4702	■	x	x	x
21	Lid	I6181	x	x	■	x	
22	Cup Lid (Siphon Cut)	0.24 oz / 7 ml	I6187	x	x	x	■
23	Cup Assembly	0.24 oz / 7 ml	I0710	x	x	x	■
24	Cup Adapter (Side-Gravity)	I0700	x	x	x	■	
25	Cup (Gravity)	0.24 oz / 7 ml	N0702	x	x	x	■
25A	Cup (Gravity) O-ring	0.24 oz / 7 ml	N0713	x	x	x	■
26	Blanking Cover	I0452	x	x	x	■	
	QuickFit Quick Disconnect Set	I1603	OPT	OPT	OPT	OPT	
	QuickFit Quick Disconnect Airbrush Adaptor	I1604	OPT	OPT	OPT	OPT	
	Airbrush Adapter for Paasche Air Hose	J001	OPT	OPT	OPT	OPT	
	Airbrush Adapter for T&C/Badger Air Hoses	J002	OPT	OPT	OPT	OPT	
27	Spanner Head Cap Wrench	I6301	■	■	■	■	

■ = yes X = no OPT = optional
*Replacement parts not available.

NEO FOR IWATA CN AND BCN



NEO for Iwata CN Gravity Feed
Dual Action Airbrush

FEATURES

- Designed to deliver soft, effortless coverage at low air pressures for many types of spray applications.
- Affordable option for general purpose spraying and for anyone wanting to airbrush for the first time.



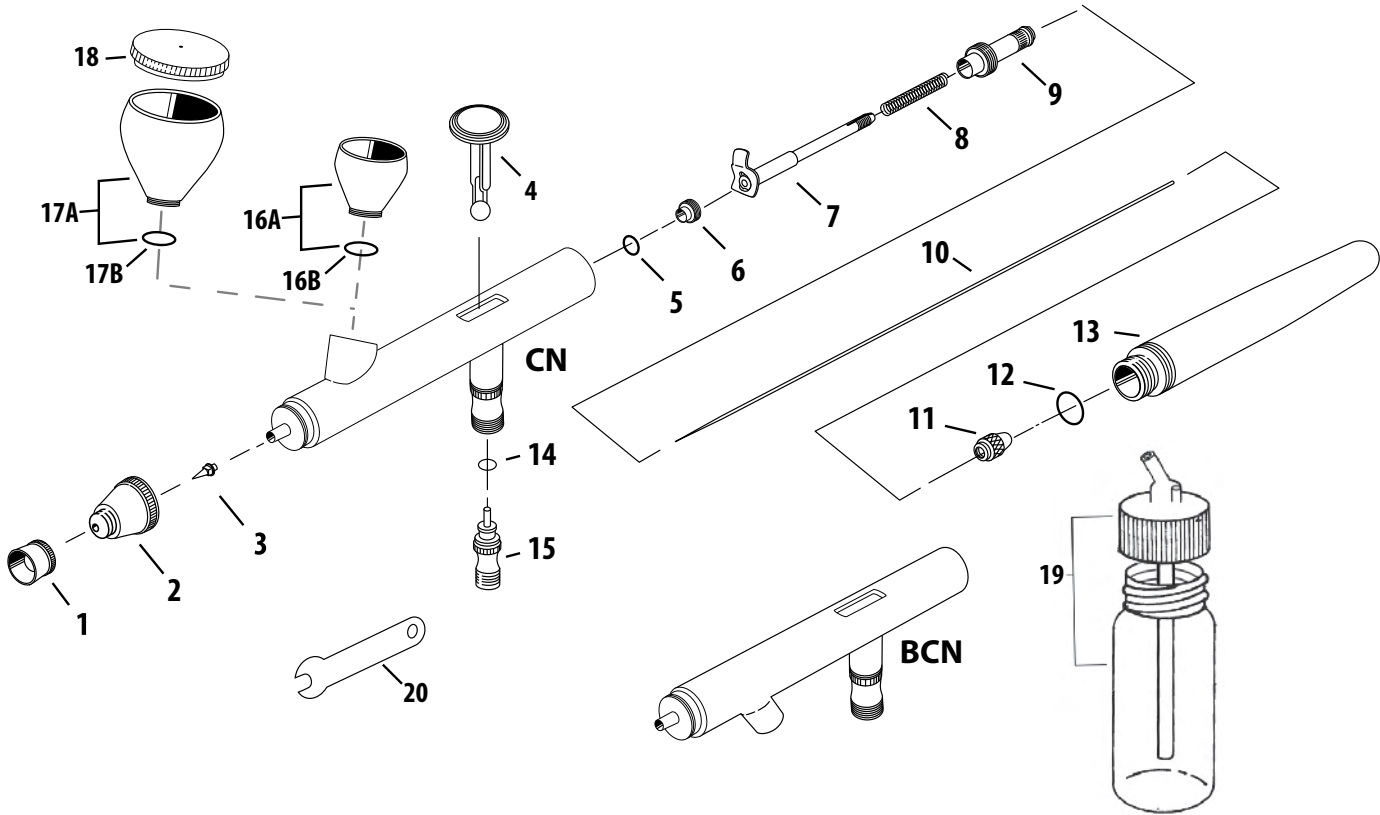
NEO for Iwata BCN Siphon Feed
Dual Action Airbrush

**ORDER Information -
IWATA ECLIPSE SERIES AIRBRUSHES**

	Code	Head System
NEO FOR IWATA CN	N4500	N3
NEO FOR IWATA BCN	N2000	N5



NEO FOR IWATA CN AND BCN



SPARE PARTS

#	ITEM DESCRIPTION	ITEM #	BCN	CN
1	Needle Cap	N1101	■	■
2	Nozzle Cap	N3	x	■
		N5	■	x
3	Nozzle	N3	x	■
		N5	■	x
4	Main Lever	N1001	■	■
5	Needle Packing (PTFE)	N1501	■	■
6	Needle Packing Screw	N1251	■	■
7	Needle Chucking Guide	N1151	■	■
8	Needle Spring	N1351	■	■
9	Spring Guide	N1701	■	■
10	Needle	N3	x	■
		N5	■	x

#	ITEM DESCRIPTION	ITEM #	BCN	CN	
11	Needle Chucking Nut	N1201	■	■	
12	Handle O-ring	N1051	■	■	
13	Handle	N0901	■	■	
14	Air Valve O-ring	N1502	■	■	
15	Valve Set With Valve Spring	N 0201	■	■	
16A	Cup (Gravity)	0.10 oz / 3 ml	N0701	x	■
16B	Cup (Gravity) O-ring	0.10 oz / 3 ml	N0712	x	■
17A	Cup (Gravity)	0.24 oz / 7 ml	N0702	x	■
17B	Cup (Gravity) O-ring	0.24 oz / 7 ml	N0713	x	■
18	Cup (Gravity) Lid	0.24 oz / 7 ml	N0954	x	■
19	Bottle	2 oz / 60 ml	A4702	■	x
20	Spanner	N1651	■	■	

■ = yes X = no OPT = optional
*Replacement parts not available.

NEO AIR FOR IWATA AIRBRUSH COMPRESSOR



FEATURES

- Ultra quiet miniature airbrush compressor ideal for light-use, low pressure applications.
- Working pressures of 4-15 PSI.
- Designed for the NEO for Iwata Airbrush Series, it also pairs well with most gravity feed Iwata airbrushes.
- Single on/off switch offers three air pressure settings to adjust the air pressure.
- Includes a detachable airbrush hose for Iwata airbrushes, detachable airbrush holder, and AC adapter with international plugs.

ORDER Information -
NEO AIR For Iwata Airbrush Compressor

Description	Code
NEO AIR FOR IWATA AIRBRUSH COMPRESSOR	IS30UP

IWATA SMART JET AIRBRUSH COMPRESSOR



FEATURES

- Compact and quiet for general purpose applications that require low to medium air pressure.
- Preset working pressure of 20-25 PSI.
- Equipped with auto shut-off technology, which enables the compressor to shut itself off when not in use.
- Fully adjustable air regulator with gauge
- Includes a high strength polyurethane airbrush hose for Iwata airbrushes, air hose adaptors, a replacement air intake filter and manual.

ORDER Information -
Iwata Smart Jet Airbrush Compressor

Description	Code
IWATA SMART JET AIRBRUSH COMPRESSOR	IS850



IWATA POWER JET PRO AIRBRUSH COMPRESSOR



FEATURES

- Remarkably quiet, feature rich dual-station airbrush compressor.
- Low to high output from 1-50 PSI.
- Independently operate two airbrushes at a time.
- Auto shut-off technology enables the compressor to shut itself off when not in use.
- 1/6 hp motor and a 2 liter air storage tank.
- Includes two high strength polyurethane air hoses for Iwata airbrushes attached to the compressor with quick disconnect fittings, extra air intake filter, adapter fittings and manual.

**ORDER Information -
Iwata Power Jet Pro Airbrush Compressor**

Description	Code
IWATA POWER JET PRO AIRBRUSH COMPRESSOR	IS975

IWATA WORKSHOP IWC28S QUIET AIR COMPRESSOR



FEATURES

- 2.0 HP motor produces 5.3 CFM @ 90 PSI and 6.4 CFM at 40 PSI.
- Ultra-durable 8 gallon steel tank.
- Quick fill cycle kicks in at only 70 dB and the pump will automatically shut off when the tank is full.
- The stainless-steel rust resistant tank and premium pump components work together to extend the life of your Workshop by thousands of hours — at least 3 and sometimes up to 10 times longer than comparable models.
- Ready to use right out of the box with included 25 ft air hose and fitting

**ORDER Information -
Iwata Workshop IWC28S Quiet Air Compressor**

Description	Code
IWATA WORKSHOP IWC28S QUIET AIR COMPRESSOR	IWC28S

ANEST IWATA Americas, Inc.

9525 Glades Drive
West Chester, Ohio 45011

Toll Free (800) 470-7068
questions@anestiwata.com

www.ANESTIWATA.com

