

iCon-M433N 36:1 | iCon-M333N 32:1

iCon®



FEATURES

- Self-adjusting packings help protect the cylinder from wear as the packings are set in place
- All wetted parts are stainless steel to withstand solvent and waterborne coatings
- Patented air motor with double action pilot valve technologies work through the toughest shop conditions to provide the best reliability during operation
- Hard chrome plated internals create less friction for improved reliability
- Durable fluid valve seats made of carbide improve performance



See following pages for mounting options

ORDER Information - Pump Only

Code	Model	Configuration
14050230	ICON-M433N	MULTI SPRAY UNIT with STAINLESS STEEL Fluid Passages (36:1) Supplied with SUCTION HOSE SET - Pump Only
14050240	ICON-M333N	MULTI SPRAY UNIT with STAINLESS STEEL Fluid Passages (32:1) Supplied with SUCTION HOSE SET - Pump Only

TECHNICAL DATA		iCon-M433N	iCon-M333N
Plunger Pump:		PP-3688N	PP-3260N
Weight:		46.5 Kg	40 Kg
Dimensions (LxWxH):		496 x 627 x 1164 mm	
Paint Filter:	Delivery Paint Filter	TF-8N: 04935360	
	Fluid Suction Filter	15 mesh	50 mesh
Max. Fluid Working Pressure:		252 bar/3655 PSI	224 bar/3249 PSI
Max. Air Inlet Pressure:		7.0 bar/102 PSI	
Pressure Ratio:		36:1	32:1
Working Temperature:		5°~40° C	
Noise Level:		99.7 dB(A)	97.2 dB(A)
Compressor Required Power:		> 1.5 Kw / 2HP	
Fluid Output:	Max. Fluid Delivery	88 ml	60 ml
	Max. Volume/Min.	5.2 l/min	3.6 l/min
No. Of Cycles Per Minute		60 cyc	
Air Supply Nipple (To Gun)		G1/4"	
Air Supply Nipple (To Pump)		G1/4"	
Fluid Supply Nipple (To Gun)		NPSM 1/4"	
Fluid Inlet		G1"	G1/2"



SYSTEMS INCLUDE

- iCon Series Multi Spray Pump assembled on a cart
- MSGS-200 Series Multi Spray Gun and 513 tip
- 25ft Twin Hose with High Pressure Fluid Line and Grounded Air Line

iCon®



25ft Twin Hose with High Pressure Fluid Line and Grounded Air Line (additional 50ft Twin Hose available)



MSGS-200 Series Multi Spray Gun and 513 Tip



ORDER Information - iCon Cart Mount - Multi Spray

Code	Model	Ratio	Fluid Output	Type	Max. Fluid Press.	Gun Model	Type Of Filter	Twin Hoses	
iCon-M433N MULTI SPRAY UNIT WITH MSGS-200 Multi Spray Gun (Codes ending in -T include 513 Tip)									
14000140	ICON-M433N-S1	36:1	88 ml/cyc	5,2 l/min	SUCTION HOSE SET	252 bar/3655 PSI	MSGS-200-250L	Long - 100 Mesh	PN: 9249 (25ft)
14000200	ICON-M433N-S2						MSGS-200-250S	Short - 100 Mesh	
14000200-T	ICON-M433N-S2+ 513 Tip						MSGS-200-250S	Short - 100 Mesh	
14000190	ICON-M433N-S3						MSGS-200-120L	Long - 100 Mesh	
14000200	ICON-M433N-S4						MSGS-200-120S	Short - 100 Mesh	
14000550	ICON-M433N-S5	36:1	88 ml/cyc	5,2 l/min	HOPPER SET	252 bar/3655 PSI	MSGS-200-250L	Long - 100 Mesh	PN: 9249 (25ft)
14000560	ICON-M433N-S6						MSGS-200-250S	Short - 100 Mesh	
14000670	ICON-M433N-S7						MSGS-200-120L	Long - 100 Mesh	
14000680	ICON-M433N-S8						MSGS-200-120S	Short - 100 Mesh	
iCon-M333N MULTI SPRAY UNIT WITH MSGS-200 Multi Spray Gun (Codes ending in -T include 513 Tip)									
14000150	ICON-M333N-S1	32:1	60 ml/cyc	3,6 l/min	SUCTION HOSE SET	224 bar/3249 PSI	MSGS-200-250L	Long - 100 Mesh	PN: 9249 (25ft)
14000210	ICON-M333N-S2						MSGS-200-250S	Short - 100 Mesh	
14000210-T	ICON-M333N-S2 + 513 Tip						MSGS-200-250S	Short - 100 Mesh	
14000220	ICON-M333N-S3						MSGS-200-120L	Long - 100 Mesh	
14000230	ICON-M333N-S4						MSGS-200-150S	Short - 100 Mesh	
14000230-T	ICON-M333N-S4 + 513 Tip	32:1	60 ml/cyc	3,6 l/min	HOPPER SET	224 bar/3249 PSI	MSGS-200-150S	Short - 100 Mesh	PN: 9249 (25ft)
14000530	ICON-M333N-S5						MSGS-200-250L	Long - 100 Mesh	
14000540	ICON-M333N-S6						MSGS-200-250S	Short - 100 Mesh	
14000700	ICON-M333N-S7						MSGS-200-120L	Long - 100 Mesh	
14000710	ICON-M333N-S8						MSGS-200-120S	Short - 100 Mesh	

ORDER Information - iCon Cart Mount - Airless Spray

Code	Model	Ratio	Fluid Output	Type	Max. Fluid Press.	
iCon AIRLESS SPRAY UNIT (Unit Only - no gun included)						
9935	ICON-A333N	36:1	88 ml/cyc	5,2 l/min	SUCTION HOSE SET	252 bar/3655 PSI
9934	ICON-A433N	32:1	60 ml/cyc	3,6 l/min	SUCTION HOSE SET	224 bar/3249 PSI

iCon-M433N 36:1 | iCon-M333N 32:1 WALL MOUNT

SYSTEMS INCLUDE

- iCon Series Multi Spray Pump assembled on a wall mount
- MSGS-200 Series Multi Spray Gun and 513 tip

iCon®



ORDER Information - iCon Wall Mount - Multi Spray

Code	Model	Ratio	Fluid Output		Type	Max. Fluid Press.
iCon MULTI SPRAY UNIT (Gun and Hose not included)						
5132	ICON-M433N	36:1	88 ml/cyc	5,2 l/min	SUCTION HOSE SET	252 bar/3655 PSI
5131	ICON-M333N	32:1	60 ml/cyc	3,6 l/min	SUCTION HOSE SET	224 bar/3249 PSI

ORDER Information - iCon Wall Mount - Airless Spray

Code	Model	Ratio	Fluid Output		Type	Max. Fluid Press.
iCon AIRLESS SPRAY UNIT (Gun and Hose not included)						
9931	ICON-A433N	36:1	88 ml/cyc	5,2 l/min	SUCTION HOSE SET	252 bar/3655 PSI
9930	ICON-A333N	32:1	60 ml/cyc	3,6 l/min	SUCTION HOSE SET	224 bar/3249 PSI



iCon[®]



The iCon Flatline Coating System comes in 32:1 and 36:1 configurations, suited for water- and solvent-based coatings. It ensures consistent performance with multiple automatic guns for efficiency. Self-adjusting packings reduce maintenance by protecting the piston, while an external filter and recirculating valve simplify priming and cleanup. For precise pressure control, an optional high-pressure regulator is available. Optimize your painting process with the iCon Flatline Coating System.

FEATURES

- Seamless Integration
- Easy to Maintain
- For Water and Solvent-Based Coatings
- Available in 32:1 or 36:1

Step 1: Select Your System

System (3 Pumps + 30:1 Flush Pump)		
Spray Style	Airless	
Mounting Config	Wall Mount	
Ratio	32:1	36:1
Code	9932	9933

Step 2: Select Your Accessories

Code	Description
INCLUDED ACCESSORIES	
9936	HIGH PRESSURE FLUID REGULATOR KIT
9937	HIGH PRESSURE REGULATOR PREP (NO REGULATOR)
SEE AUTO & MANUAL GUNS FOR GUN OPTIONS	

iCon-M233N 30:1 SYSTEMS



iCon X-3 on Wall Mount
8.5(w) x 17(h) x 10(d) in



iCon X-3 on Cart Frame
16.25(w) x 38(h) x 19(d) in



FEATURES

- Versatile 30:1 ratio moves fluid at higher pressures while using low inlet pressure
- Anti-Blocking Changeover System prevents stalling for less downtime
- Compact size and weight of cart mount version is great for mobile operations
- Self-adjusting packings help protect the cylinder from wear as the packings are set in place
- All wetted parts are stainless steel to withstand solvent and waterborne coatings
- Patented air motor with double action pilot valve technologies work through the toughest shop conditions to provide the best reliability during operation
- Hard chrome plated internals create less friction for improved reliability
- Durable fluid valve seats made of carbide improve performance
- Designed to be extremely simple to assemble, disassemble, and maintain

TECHNICAL DATA

TECHNICAL DATA		iCon-M233N
PRESSURE RATIO:		30:1
MAX. FLUID WORKING PRESSURE:		210 bar/3046 PSI
MAX. AIR INLET PRESSURE:		7.0 bar/102 PSI
AIR CONSUMPTION:		110 NI/min. / 3.9 SCFM at 30 cyc/min.
FLUID OUTPUT:	MAX. FLUID DELIVERY	25 ml
	MAX. VOLUME/MIN.	2.5 l/min.
MAX. NO. OF CYCLES PER MIN.		100 cyc
AIR SUPPLY NIPPLE (TO GUN)		G1/4"
AIR SUPPLY NIPPLE (TO PUMP)		G1/4"
FLUID SUPPLY NIPPLE (TO GUN)		NPSM 1/4"
FLUID INLET		G1/2"

MSG5-200 Series
Multi Spray Gun
and 513 Tip



25ft Twin Hose with High
Pressure Fluid Line and
Grounded Air Line



120

ANEST IWATA Americas, Inc.
COATING EQUIPMENT

SYSTEMS INCLUDE

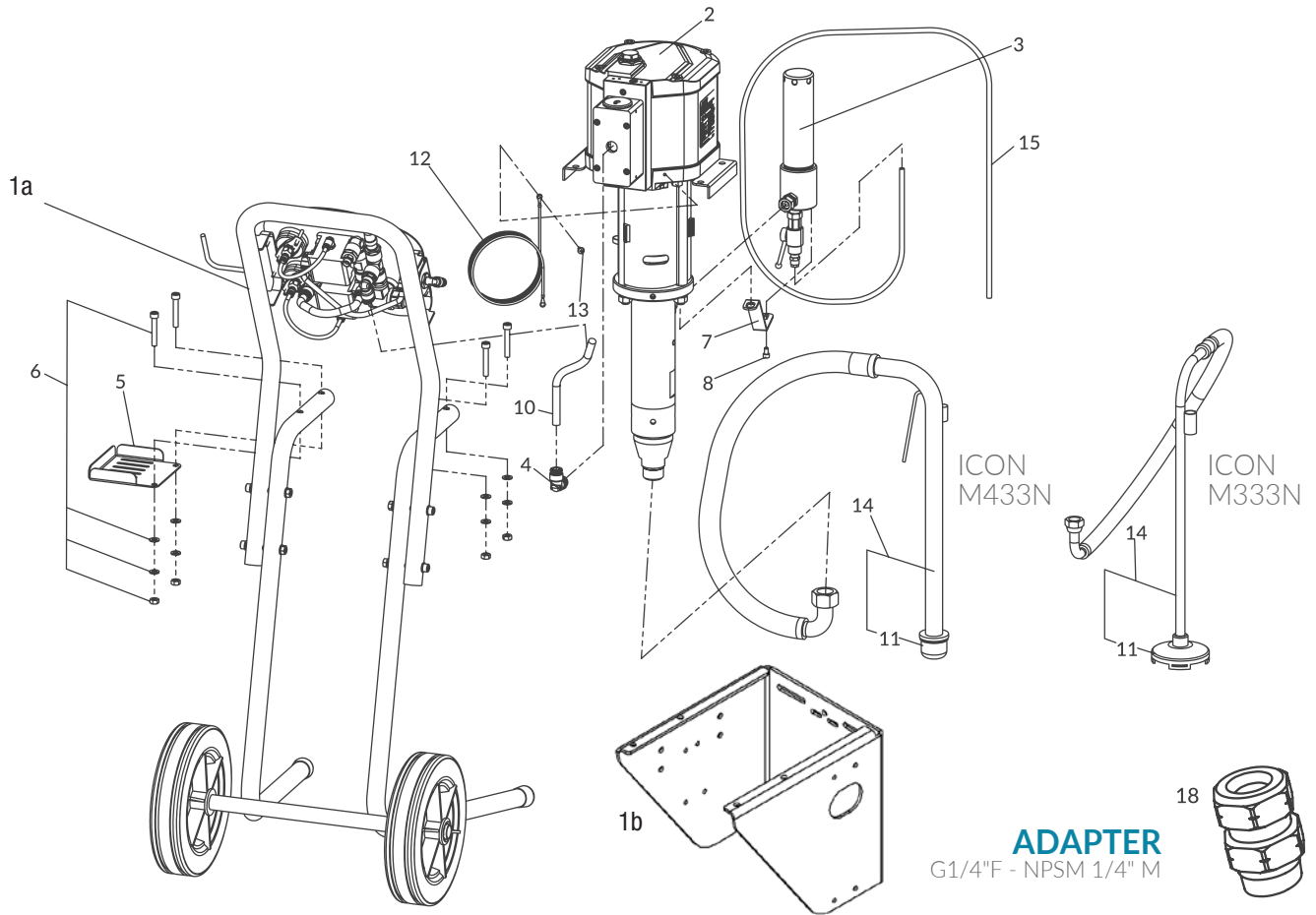
- iCon X-3 Multi Spray Pump assembled on a cart frame or wall mount
- MSGS-200 Series Multi Spray Gun and 513 tip
- Suction Hose or 6L Hopper (both with 50 mesh filter)
- 25ft Twin Hose with High Pressure Fluid Line and Grounded Air Line



ORDER Information

Code	Model	Ratio	Fluid Output		Type	Max. Fluid Press.	Gun Model	Type Of Filter	Twin Hoses
iCon-M233N MULTI SPRAY PUMP on CART FRAME WITH MSGS-200 Multi Spray Gun and 513 Tip									
140004A0-T	ICON-M233N-S2	30:1	25 ml	2.5 l/min.	SUCTION HOSE SET	210 bar/3046 PSI	MSGS 200 EVO -250SN	SHORT - 100 Mesh	PN: 9249 (25ft)
140009A0-T	ICON-M233N-H2				6L HOPPER SET				
iCon-M233N MULTI SPRAY PUMP on WALL MOUNT WITH MSGS-200 Multi Spray Gun and 513 Tip									
140016A0-T	ICON-M233N-SWM2	30:1	25 ml	2.5 l/min.	SUCTION HOSE SET	210 bar/ 3046 PSI	MSGS 200 EVO -250SN	SHORT - 100 Mesh	PN: 9249 (25ft)
140021A0-T	ICON-M233N-HWM2				6L HOPPER SET				

Code	Description
ACCESSORIES	
9249	25ft Twin Hose
9248	50ft Twin Hose



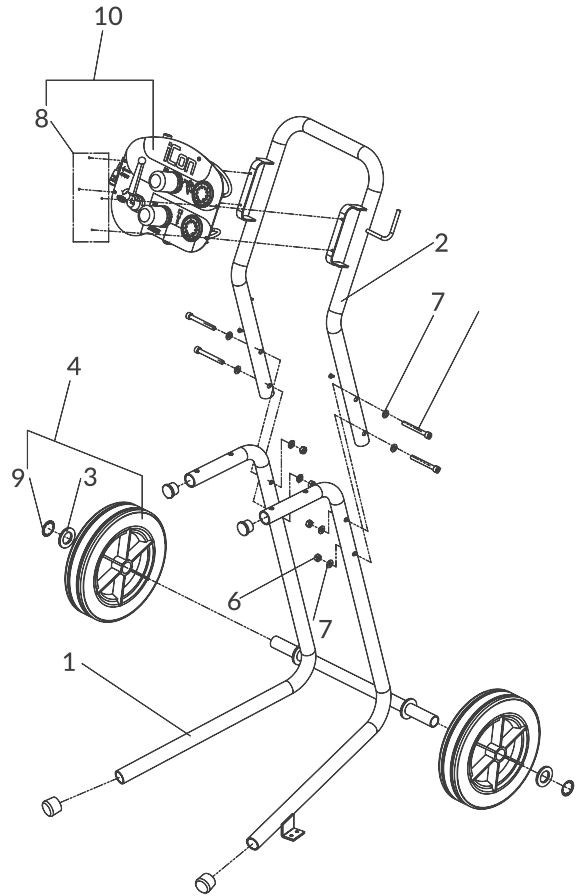
SPARE PARTS

Ref.	Code	Description		ICON-M433N	ICON-M333N
1a	04445670	CART FRAME SET		X	X
1b	9917	WALL MOUNT FRAME		X	X
2	14050130	PLUNGER PUMP SET	PP-3688N	X	--
2	14050140	PLUNGER PUMP SET	PP-3260N	--	X
3	1457000000	DELIVERY PAINT FILTER SET	TF-8N	X	X
4	04444920	ELBOW MALE ADAPTOR	1/2"x ø12	X	X
5	04444740	TIP STAY		X	X
6	94447890	BOLT and NUT SET for PUMP HEX. SOCKET BOLT (4 pcs.) + NUT (4 pcs.) + SPRING WASHER (4 pcs.) + WASHER (4 pcs.)		X	X
7	04001270	FILTER STAY		X	X
8	06350612	BOLT WITH HEX. HOLE	M6x10	X	X
10	04444690	AIR HOSE		X	X
11	04444760	SUCTION FILTER SET	M28x1.5 15mesh	X	--
11	UL10000701	SUCTION FILTER SET	M15x50mesh	--	X
11	9014	SUCTION FILTER STAINLESS STEEL		--	X
12	ME100001	GROUND WIRE SET		X	X
13	06155024	SCREW	M5x10	X	X
14	ITDA-55G90	SUCTION HOSE SET - 55 GALLON DRUM		--	X
14	ITDA-55G90-36	SUCTION HOSE SET - 55 GALLON DRUM		X	--
14	94444750	SUCTION HOSE SET		X	--
14	0101010000	SUCTION HOSE SET		--	X
15	00100030	DRAIN HOSE	8x6	X	X
16	94445770	PACKING PROTECTION LIQUID		X	X
17	04445760	HOOK SPANNER		X	X
18	94006030	ADAPTER	G1/4"F - NPSM 1/4"M	X	X
	04005870	HOPPER		X	--



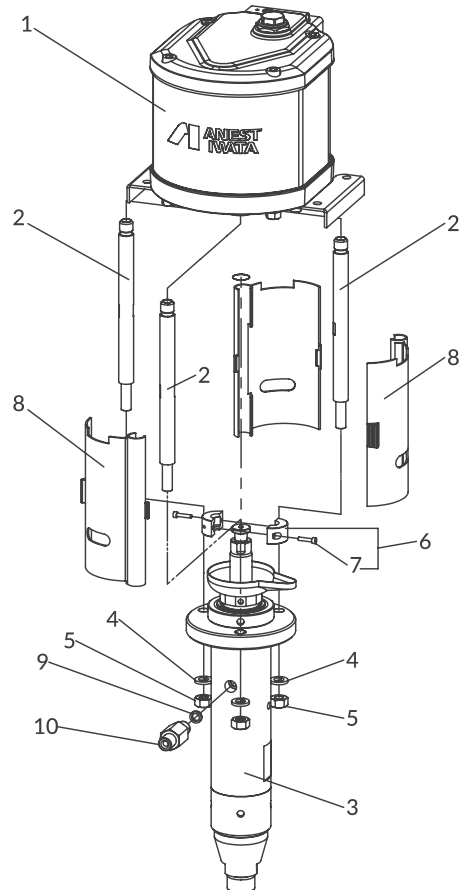
CART FRAME SET

Ref.	Code	Description	
-	04445670	CART FRAME SET	
1	94445680	CART FRAME	
2	04444730	HANDLE FRAME	
3	04445720	WHEEL WASHER	
4	94444960	WHEEL SET WHEELS (2 pcs.) +WASHERS (2 pcs.)+SELF LOCKING RINGS (2 pcs.)	
5	04447890	BOLT WITH HEX. HOLE	M8
6	06361081	HEX. NUT	M8
7	06363080	WASHER	M8
8	94444790	SOCKET BUTTON HEAD SCREW (4 pcs.)	
9	04447900	SELF LOCKING RING	
10a	94445740	AIR REGULATOR SET AIR REGULATOR SET (1 pc.) + SOCKET BUTTON HEAD SCREW (4 pcs.)	
10b	94445790	AIR REGULATOR SET FOR AIRLESS CONFIGURATION	



PLUNGER PUMP SET

Ref.	Code	Description	
1	04946700	AIR MOTOR SET for ICON-M433N	
1	04946750	AIR MOTOR SET for ICON-M333N	
2	04938220	CONNECTING ROD	
3	04946730	FLUID PUMP SET for ICON-M433N	
3	04946760	FLUID PUMP SET for ICON-M333N	
4	06362120	SPRING WASHER	M12
5	06361121	HEX. NUT	M12
6	94938230	COUPLING SET COUPLINGS (2 pcs.) + BOLT WITH HEXAGON HOLE (2 pcs.)	ICON-M433N
6	94943870	COUPLING SET COUPLINGS (2 pcs.) + BOLT WITH HEXAGON HOLE (2 pcs.)	ICON-M333N
7	94939540	BOLT WITH HEX. HOLE (2 pcs.)	M4x20
8	04938240	ROD COVER	
9	04938260	FLUID OUTPUT PACKING	
10	04938250	FLUID OUTPUT JOINT	



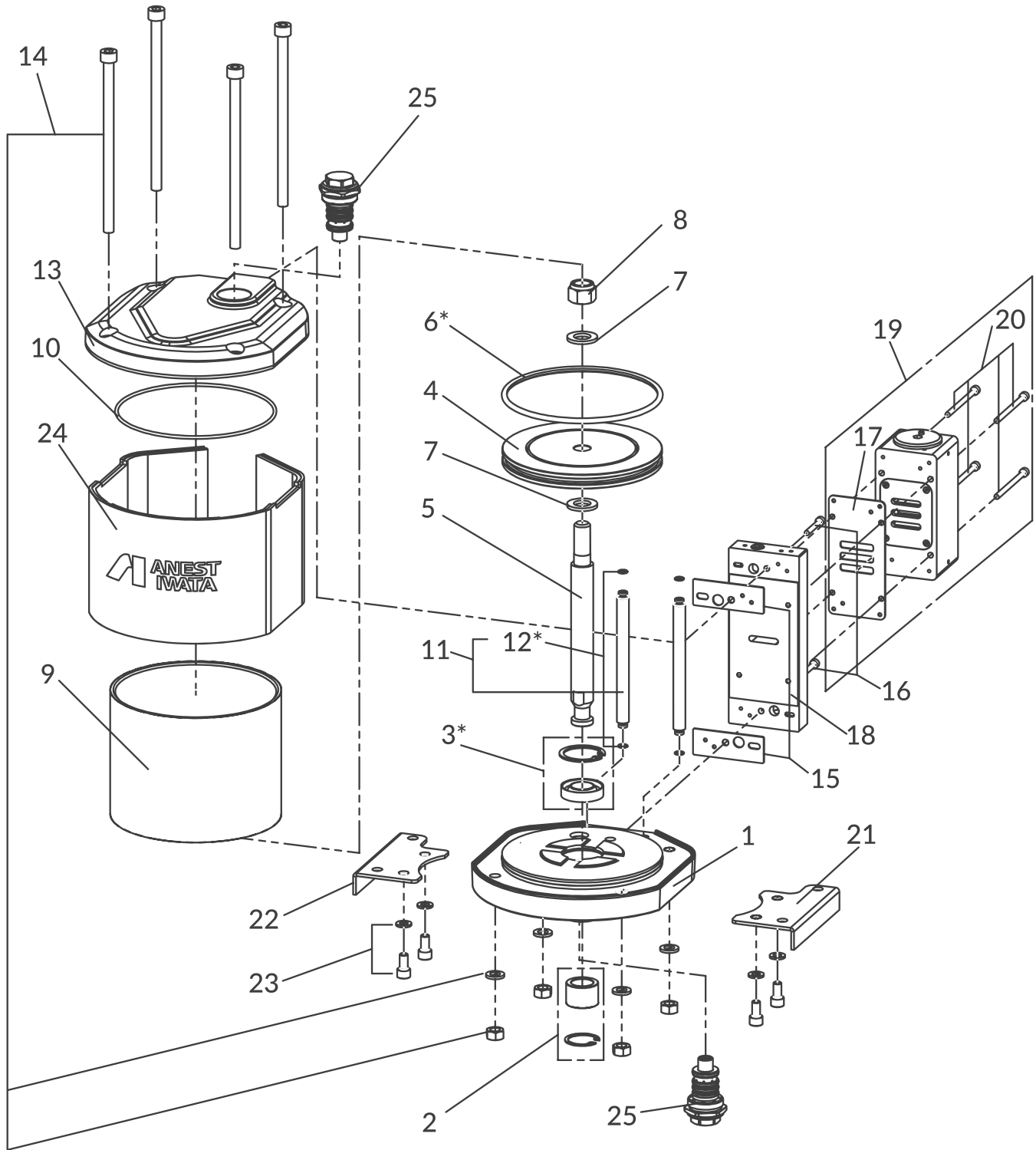
iCon-M433N 36:1 | iCon-M333N 32:1

AIR MOTOR SET

Ref.	Code	Description	ICON-M433N	ICON-M333N
1	94938600	BOTTOM MODULE	x	--
1	94944860	BOTTOM MODULE	--	x
2	94938620	METAL SET METAL \varnothing 22 x \varnothing 32 x L22 + SEEGER	x	--
2	94944870	METAL SET METAL \varnothing 18 x \varnothing 25 x L25 + SEEGER	--	x
3*	94943830	"U" PACKING SET "U" PACKING + SEEGER	x	--
3*	94946600	"U" PACKING SET "U" PACKING + SEEGER	--	x
4	94939290	AIR PISTON	x	--
4	94944900	AIR PISTON	--	x
5	94939300	PISTON ROD	x	--
5	94944910	PISTON ROD	--	x
6*	04943730	'O' RING \varnothing 5.34 x \varnothing 145.42	x	--
6*	04944980	'O' RING \varnothing 5.34 x \varnothing 113.7	--	x
7	96471162	WASHER M16 (2 pcs.)	x	--
7	96471142	WASHER M14 (2 pcs.)	--	x
8	04939460	SELF LOCKING HEX. NUT M16	x	--
8	04944960	SELF LOCKING HEX. NUT M14	--	x
9	94939270	CYLINDER	x	--
9	94944880	CYLINDER	--	x
10	94943740	'O' RING SET \varnothing 3 x \varnothing 154 (2 pcs.)	x	--
10	94944990	'O' RING SET \varnothing 3 x \varnothing 119.5 (2 pcs.)	--	x
11	94939320	PILOT AIR HOSE SET PILOT AIR HOSE (2 pcs.) + 'O' RING (4 pcs.)	x	x
12*	96637607	'O' RING SET 'O' RING \varnothing 1.5 x \varnothing 6.5 (4 pcs.)	x	x
13	94939310	HEAD MODULE	x	--
13	94944920	HEAD MODULE	--	x
14	94939480	BOLT NUT SET BOLT M10 x L180 (4 pcs.) + NUT M10 (4 pcs.) + SPRING WASHER M10 (4 pcs.)	x	--
14	94944970	BOLT NUT SET BOLT M8 x L180 (4 pcs.) + NUT M10 (4 pcs.) + SPRING WASHER M10 (4 pcs.)	--	x
15	94939350	MODULE PACKING SET (2 pcs.)	x	x
16	94939520	BOLT WITH HEX. HOLE SET M5xL35 (2 pcs.)	x	x
17	04939340	SUB PLATE PACKING	x	x
18	94939330	SUB PLATE	x	x
19	94946720	AIR OPERATING VALVE SET AIR OPERATING VALVE + SUB PLATE PACKING	x	x
20	94939530	BOLT WITH HEX. HOLE SET M5x75 (4 pcs.)	x	x
21	04939450	PUMP STAY "L"	x	--
21	04944950	PUMP STAY "L"	--	x
22	04939440	PUMP STAY "R"	x	--
22	04944940	PUMP STAY "R"	--	x
23	94939490	BOLT WITH HEX. HOLE + SPRING WASHER BOLT M8x16 (4 pcs.) + SPRING WASHER M8 (4 pcs.)	x	x
24	94447750	CYLINDER COVER	x	--
24	94447830	CYLINDER COVER	--	x
25	94946710	DOUBLE ACTION PILOT VALVE	x	x
	04001490	AIR MOTOR MAINTENANCE KIT	x	--
	04002030	AIR MOTOR MAINTENANCE KIT	--	x

(*) Spare parts included in MAINTENANCE KIT

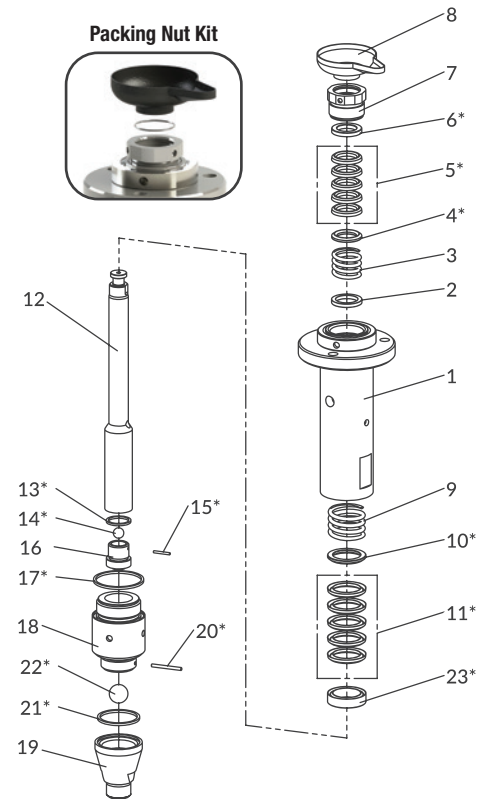




iCon-M433N 36:1 | iCon-M333N 32:1

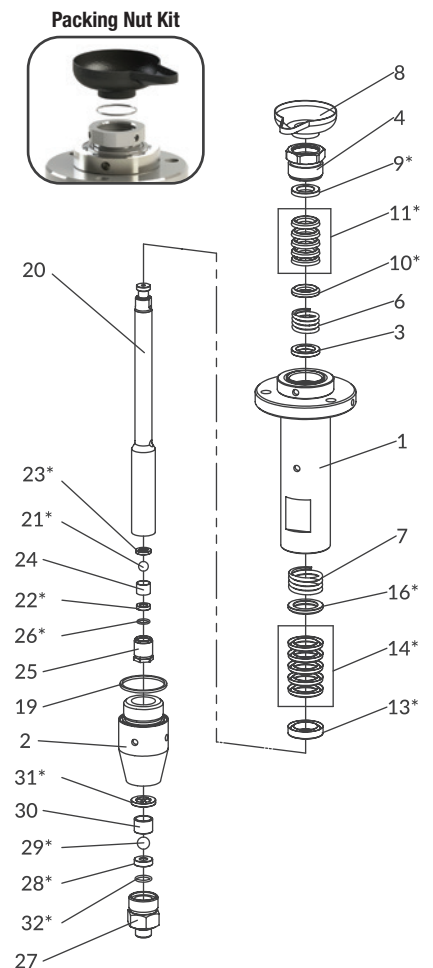
FLUID PUMP SET for ICON-M433N

Ref.	Code	Description
1	04001520	SUCTION TUBE WITH FLANGE
2	04938380	SPRING HOLDER
3	04938370	UPPER SPRING
4*	04938320	UPPER "V" PACKING MALE ADAPTOR
5*	04001500	UPPER PACKINGS KIT ("V" PACKINGS PE 3 pcs. + PTFE 2 pcs.)
6*	04938350	UPPER "V" PACKING FEMALE ADAPTOR
7	940175A0	PACKING NUT KIT (PACKING NUT+'O' RING)
7-1	960053A0	'O' RING
8	04938490	THINNER CUP
9	04938360	LOWER SPRING
10*	04938470	LOWER "V" PACKING MALE ADAPTOR
11*	04001510	LOWER PACKINGS KIT ("V" PACKINGS PE 3 pcs. + PTFE 2 pcs.)
12	94938400	SUCTION ROD
13*	04938420	VALVE HOLDER PACKING
14*	06662045	BALL 9/16"
15*	04938430	VALVE HOLDER PIN
16	94938410	VALVE HOLDER
17*	04000210	SUCTION TUBE PACKING
18	94938300	SUCTION CONNECTOR
19	94938310	VALVE ADAPTOR
20*	04938390	LOWER PIN
21*	04000140	ADAPTOR PACKING
22*	06662100	BALL 1"
23*	04938440	LOWER "V" PACKING FEMALE ADAPTOR
	04002020	FLUID PUMP MAINTENANCE KIT



FLUID PUMP SET for ICON-M333N

Ref.	Code	Description
1	04002100	SUCTION TUBE WITH FLANGE
2	94943910	SUCTION CONNECTOR
3	04944740	SPRING HOLDER
4	940176A0	PACKING NUT KIT (PACKING NUT+'O' RING)
4-1	960053A0	'O' RING
6	04944730	UPPER SPRING
7	04944720	LOWER SPRING
8	04938490	THINNER CUP
9*	04943990	UPPER "V" PACKING FEMALE ADAPTOR
10*	04943960	UPPER "V" PACKING MALE ADAPTOR
11*	04002040	UPPER PACKINGS KIT ("V" PACKINGS PE 3 pcs. + PTFE 2 pcs.)
13*	04944810	LOWER "V" PACKING FEMALE ADAPTOR
14*	04002060	LOWER PACKINGS KIT ("V" PACKINGS PE 3 pcs. + PTFE 2 pcs.)
16*	04944840	LOWER "V" PACKING MALE ADAPTOR
19	04000240	SUCTION TUBE PACKING
20	94944750	SUCTION ROD
21*	06662040	BALL 1/2"
22*	940247A0	VALVE SEAT
23*	04944770	VALVE HOLDER PACKING
24	04944790	BALL GUIDE
25	04944760	VALVE HOLDER
26*	04944800	'O' RING ϕ 2 x ϕ 13
27	04943920	VALVE ADAPTOR
28*	940246A0	VALVE SEAT
29*	06662050	BALL 5/8"
30	04943940	BALL GUIDE
31*	04943950	ADAPTOR PACKING
32*	04946590	'O' RING ϕ 2.5 x ϕ 17
	940249A0	FLUID PUMP MAINTENANCE KIT

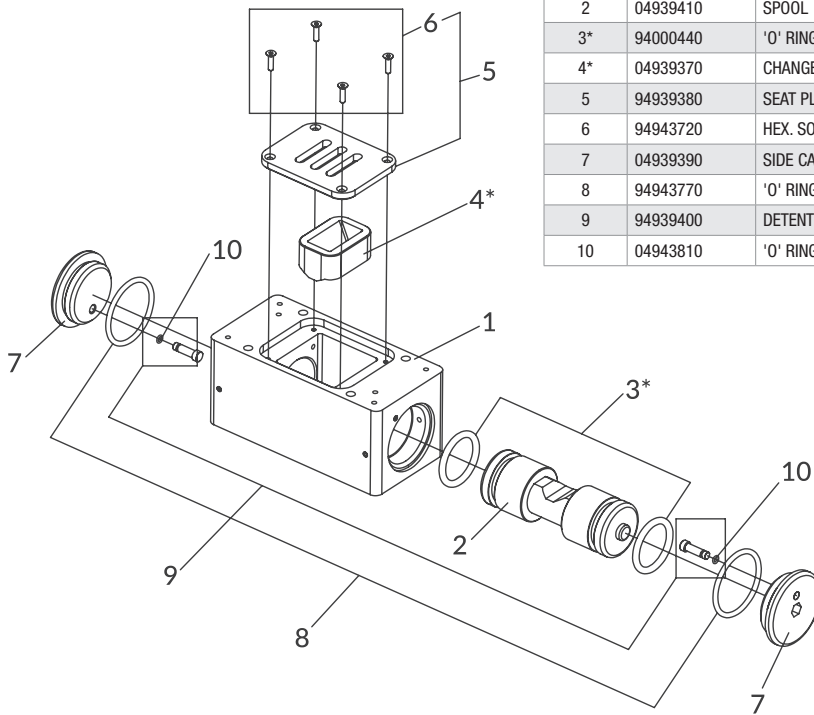


(*) Spare parts included in MAINTENANCE KIT



AIR OPERATING VALVE

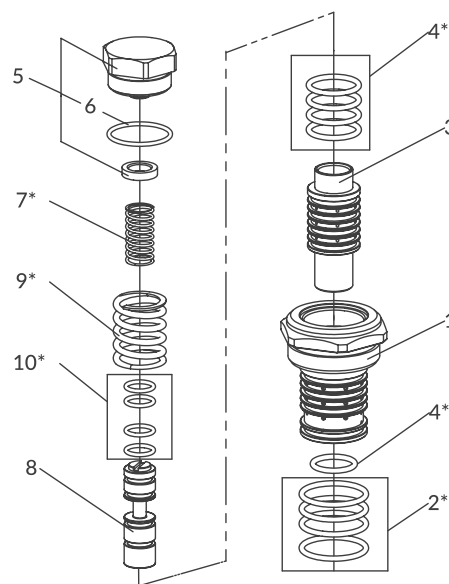
Ref.	Code	Description
1	94939360	CHANGEOVER MAIN BODY
2	04939410	SPOOL
3*	94000440	'O' RING SET $\varnothing 4 \times \varnothing 28$
4*	04939370	CHANGEOVER BLOCK
5	94939380	SEAT PLATE SET [ref. 5 (1 pc.) + ref. 6 (4 pcs.)]
6	94943720	HEX. SOCKET COUNTERSUNK SCREW
7	04939390	SIDE CAP
8	94943770	'O' RING $\varnothing 3 \times \varnothing 38$
9	94939400	DETENT PISTON SET [ref. 9 (2 pcs.) + ref. 10 (2 pcs.)]
10	04943810	'O' RING $\varnothing 1 \times \varnothing 3$



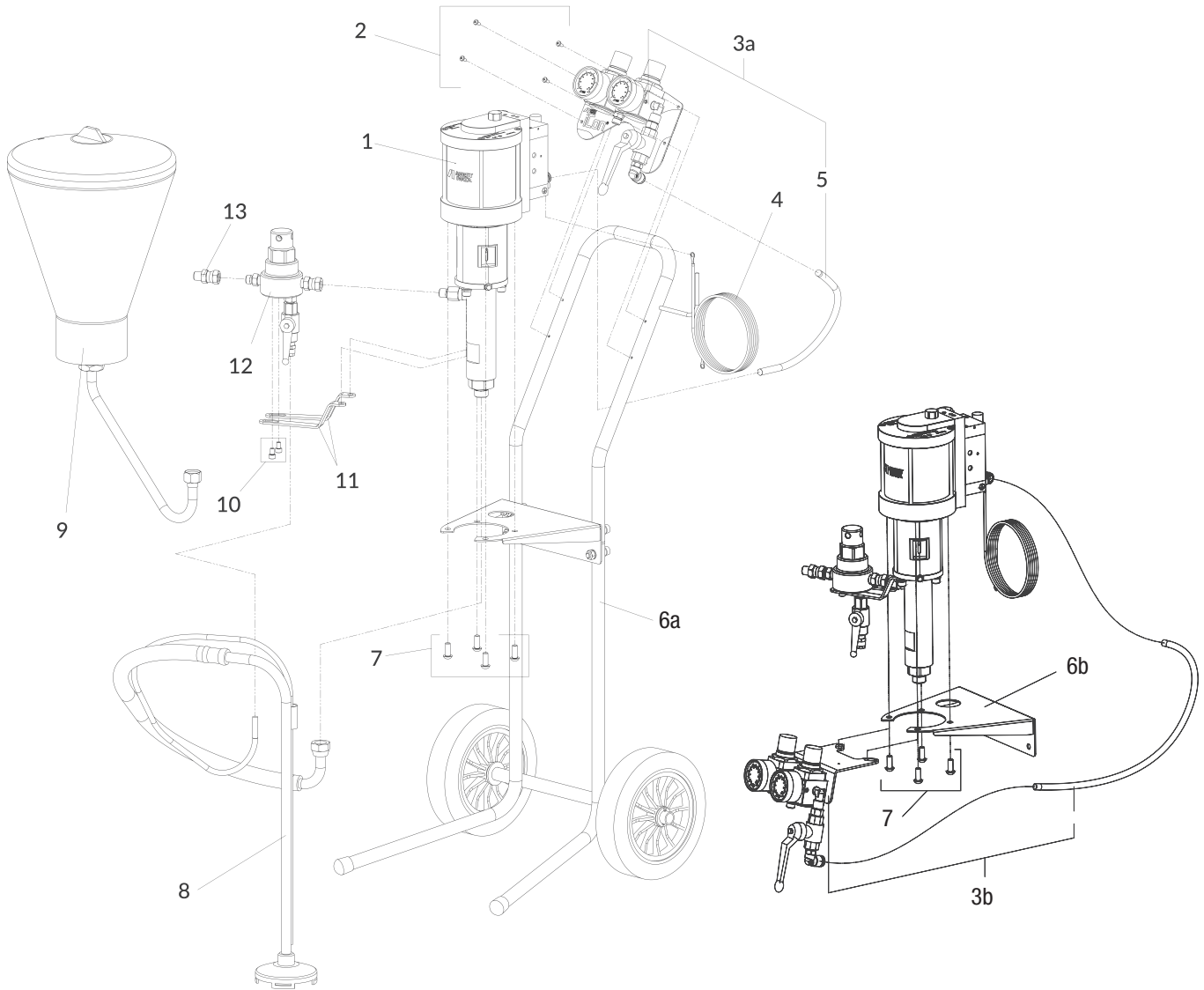
DOUBLE ACTION PILOT VALVE

Ref.	Code	Description	
1	94938610	VALVE HOUSING	
2*	-	'O' RING	$\varnothing 2 \times \varnothing 21.5$
3	94939220	VALVE	
4*	-	'O' RING	$\varnothing 2 \times \varnothing 14$
5	94939230	CAP	
6	-	'O' RING	$\varnothing 1.5 \times \varnothing 22$
7*	04939240	SPOOL SPRING	
8	94939260	SPOOL	
9*	04939250	VALVE SPRING	
10*	-	'O' RING	$\varnothing 1.5 \times \varnothing 9$
	04001390	PILOT VALVE 'O' RING KIT	

(*) Spare parts included in 'O' RING KIT



iCon-M233N 30:1 SYSTEMS



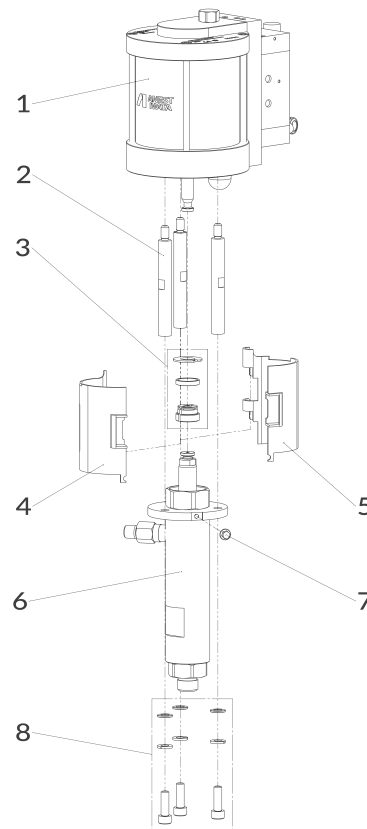
SPARE PARTS

Ref.	Code	Description
1	-	PLUNGER PUMP (PP-3025N)
2	94444790	SOCKET BUTTON HEAD SCREW (4 pcs)
3a	940188A0	AIR REGULATOR SET for CART FRAME version
3b	940189A0	AIR REGULATOR SET for WALL MOUNT version
4	ME100001	GROUND WIRE SET
5	940157A0	AIR HOSE 0,3 m
6a	940085A0	CART FRAME
6b	-	WALL MOUNT
7	960055A0	HEX. SOCKET BUTTON HEAD SCREW M8x20 SET (4 pcs)
8	0101010000	SUCTION HOSE SET
8	ITDA-55G90	SUCTION HOSE SET - 55 GALLON
9	04005510	HOPPER SET 6 lt.
10	960056A0	HEX. SOCKET BOLT M6x10 SET (2 pcs)
11	940052A0	FILTER STAY
12	140002A0	DELIVERY PAINT FILTER SET TF-1S
13	94006030	ADAPTER G1/4" F - NPSM 1/4" M
14	940192A0	WALL MOUNT SUPPORT
15	940060A0	AIR HOSE 0,5 m
	940213A0	AIR EXTENTION HOSE KIT



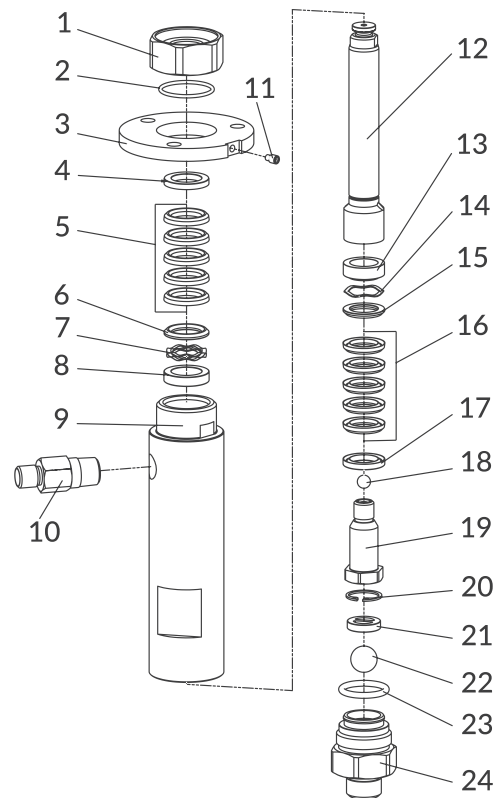
AIR OPERATING VALVE

Ref.	Code	Description
1	940000A0	AIR MOTOR
2	940036A0	CONNECTING ROD
3	940193A0	COUPLING KIT
4	940093A0	ROD COVER LEFT
5	940094A0	ROD COVER RIGHT
6	940014A0	FLUID PUMP SET
7	960047A0	HEX. SOCKET FLANGE BOLT M5x12
8	940170A0	SCREWS & WASHERS SET (3+3+3 pcs.)



FLUID PUMP SET

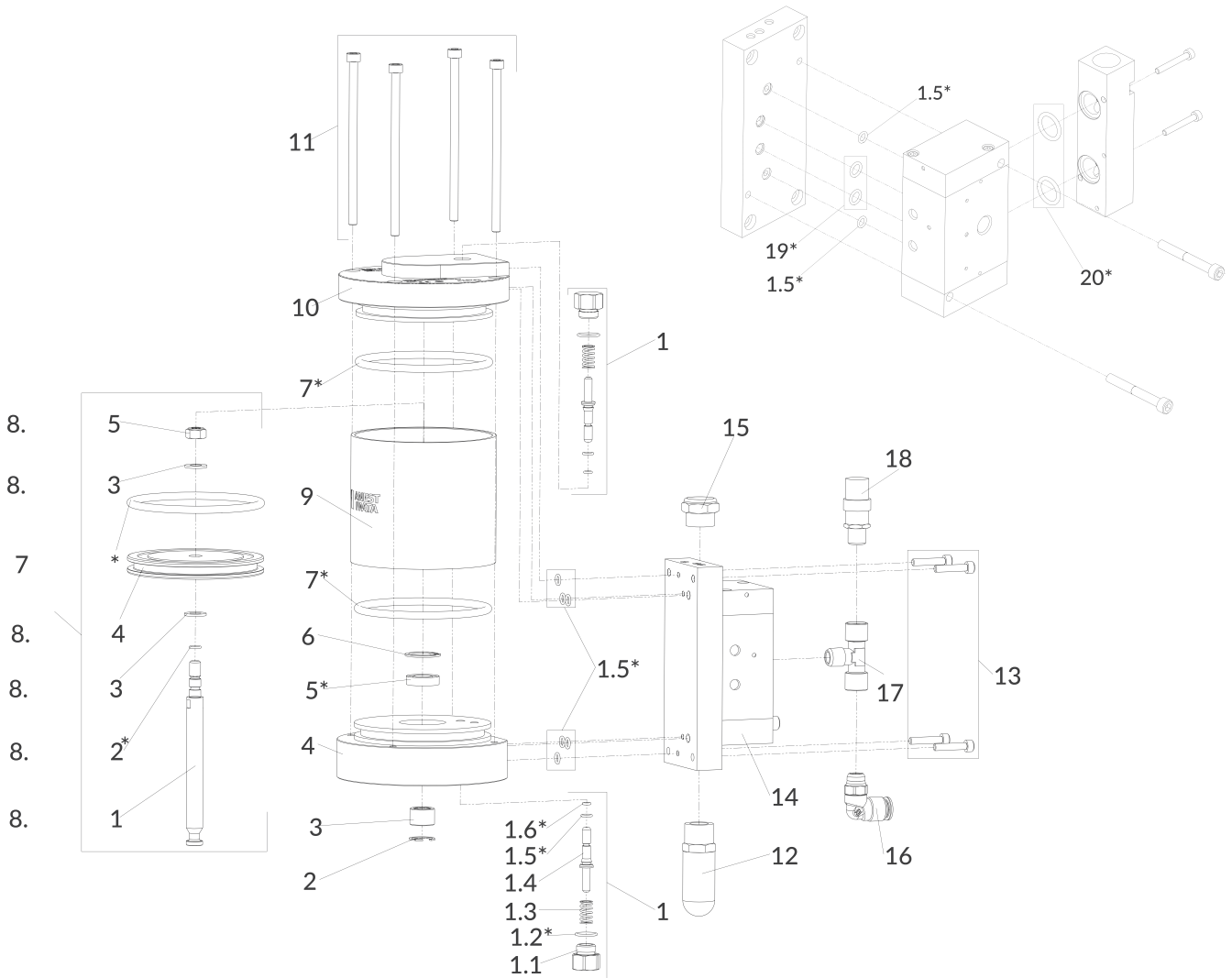
Ref.	Code	Description
1	940031A0	PACKING HOLDER
2	960011A0	O-RING 2.0-29.5
3	940112A0	FLANGE
4	940126A0	V-PACKING FEMALE ADAPTOR (UPPER)
5	940069A0	V-PACKING SET (UPPER) (3 PE + 2 PTFE)
6	940123A0	V-PACKING MALE ADAPTOR (UPPER)
7	940122A0	MULTI WAVE SPRING
8	940121A0	SPRING HOLDER (UPPER)
9	940015A0	SUCTION TUBE
10	940032A0	FLUID OUTPUT JOINT
11	960040A0	PLUG
12	940166A0	SUCTION ROD
13	940127A0	SPRING HOLDER (LOWER)
14	940128A0	NESTED SPRING
15	940129A0	V-PACKING MALE ADAPTOR (LOWER)
16	940070A0	V-PACKING SET (LOWER) (3 PE + 2 PTFE)
17	940132A0	V-PACKING FEMALE ADAPTOR (LOWER)
18	96662025	BALL 5/16"
19	940021A0	VALVE HOLDER
20	960014A0	SEEGER 20
21	04944770	VALVE HOLDER PACKING
22	96662050	BALL 5/8"
23	960015A0	O-RING 3.53-23.39
24	940033A0	VALVE ADAPTOR



FLUID PUMP SET ACCESSORIES

Ref.	Code	Description
	7964	FLUID MAINTENANCE KIT (includes: 2, 4, 5, 6, 7, 14, 15, 16, 17, 18, 20, 21, 22)

iCon-M233N 30:1 SYSTEMS



AIR MOTOR SET

Ref.	Code	Description
1	940073A0	PILOT VALVE SET
1.1	940007A0	PILOT VALVE CAP
1.2*	96997009	O-RING ϕ 1.5-13.5
1.3	940006A0	PILOT VALVE SPRING
1.4	940005A0	PILOT VALVE SHAFT
1.5*	96997003	O-RING ϕ 1,5-5,5
1.6*	96997012	O-RING ϕ 1.5-3.5
2	960000A0	SEEGER 18
3	940002A0	METAL
4	940001A0	BOTTOM MODULE
5*	960001A0	U-PACKING
6	960002A0	SEEGER 24
7*	960004A0	O-RING ϕ 5.33-89.69
8	940065A0	PISTON ROD SET
8.1	940159A0	PISTON ROD
8.2*	960052A0	O-RING ϕ 1.5-6
8.3	06363080	WASHER

Ref.	Code	Description
8.4	940004A0	AIR PISTON
8.5	960003A0	SELF LOCKING HEX. NUT
9	940008A0	CYLINDER
10	940010A0	HEAD MODULE
11	960006A0	HEX. SOCKET BOLT M6x120
12	960010A0	MUFFLER
13	96350525	HEX. SOCKET BOLT M5x25
14	940174A0	AIR OPERATING VALVE
15	04447820	EXHAUST FILTER
16	UL300309	ELBOW UNION
17	UL30030000	T-JOINT
18	UL30036000	SAFETY VALVE
19*	060031A0	O-RING ϕ 1.78-7.65
20*	060008A0	O-RING ϕ 2.62-15.54
	940072A0	O-RING SET FOR AIR MOTOR & AIR OPERATING VALVE

(*) Spare parts included in 'O' Ring Set



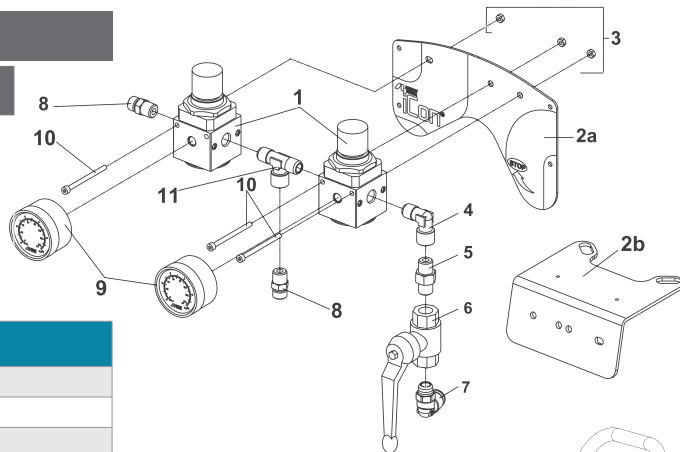
130

ANEST IWATA Americas, Inc.
COATING EQUIPMENT

AIR REGULATOR SET

For CART FRAME Version

For WALL MOUNT Version



Ref.	Code	Description
-	940188A0	AIR REGULATOR SET for CART FRAME version
-	940189A0	AIR REGULATOR SET for WALL MOUNT version
1	UI00070001	AIR REGULATOR
2a	940156A0	PANEL (for Cart Frame version)
2b	UL00005201	PLATE FOR AIR REGULATOR (for Wall Mount version)
3	UL300700	HEX. NUT M4
4	UL300201	L-JOINT
5	UL300101	NIPPLE
6	UL30034901	BALL VALVE WITH EXHAUST HOLE
7	UL300309	ELBOW UNION
8	UL30010501	SPECIAL NIPPLE R1/4" - G1/4"
9	02004003	PRESSURE GAUGE (bar - psi)
10	06350455	BOLT WITH HEX. HOLE M4x55
11	UL300303	T-JOINT

CART FRAME SET

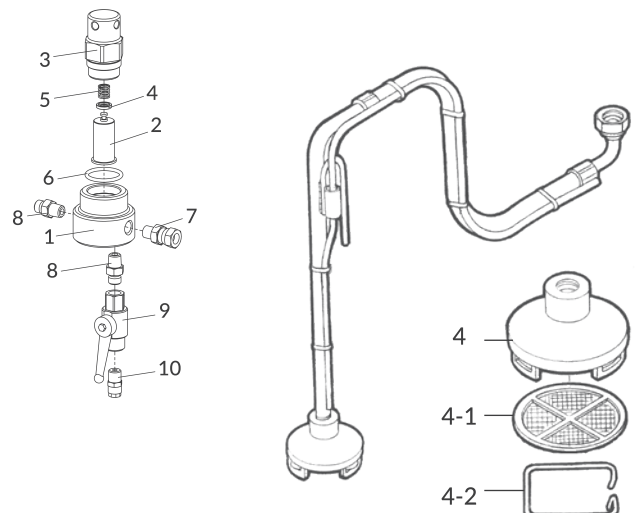
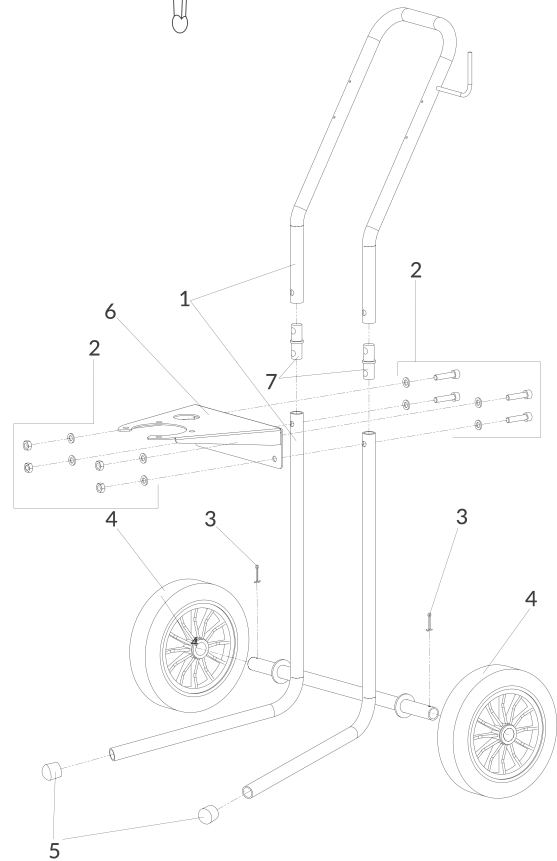
Ref.	Code	Description
-	940085A0	CART FRAME SET
1	940085A0	CART FRAME STRUCTURE
2	940169A0	SCREWS, NUTS & WASHER SET (4+4+8 pcs.)
3	UL300811	SPLIT PIN
4	UL200001	WHEEL
5	960019A0	RUBBER CAP
6	940192A0	WALL MOUNT SUPPORT
7	940089A0	CONNECTION ELEMENT

DELIVERY PAINT FILTER TF-1S

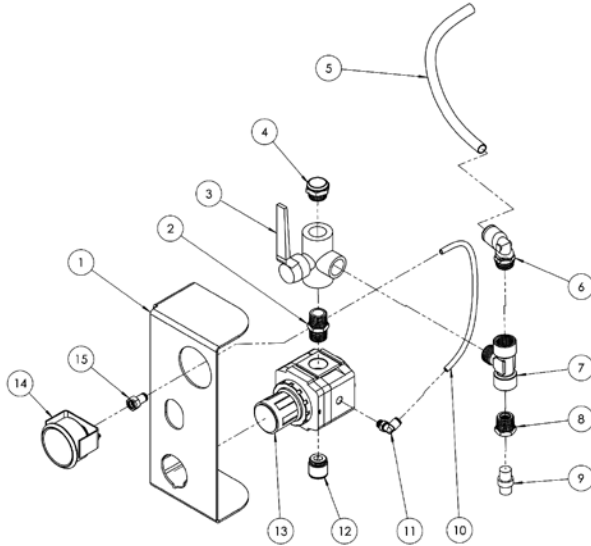
Ref.	Code	Description
-	140002A0	DELIVERY PAINT FILTER SET TF-1S
1	940053A0	FILTER BODY
2	VFM2704	FILTER 100 MESH
3	940054A0	CYLINDER
4	940055A0	WASHER
5	940056A0	FILTER SPRING
6	960021A0	O-RING 3.53-32.92
7	96859022	SWIVEL JOINT R1/4" M - G1/4" F
8	UL300462	JOINT G1/4" - R1/4"
9	UL30090100	DRAIN VALVE
10	UL300302	HOSE JOINT

SUCTION HOSE SET

Ref.	Code	Description
4	UL10000701	COMPLETE COVER SET
4-1	0040720100	FILTER 50 MESH
4-2	00407203	FILTER STOPPER
	9014	SUCTION FILTER SS

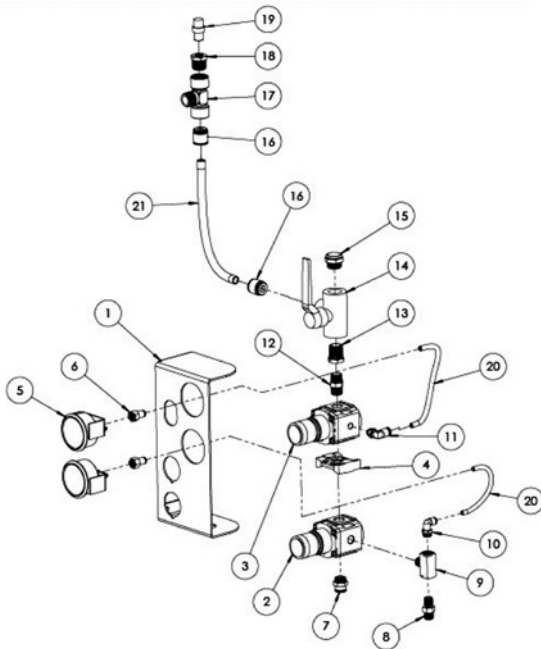


iCon FLATLINE COATING SYSTEM



AIRLESS WALL MOUNT AIR REGULATOR

Ref.	Code	Description
-	5133	AIRLESS WALL MOUNT AIR REGULATOR
1	9919	Icon wall mount air regulator panel
2	9927	Pressure gauge, 0-100 psi
3	5027	Straight Adapter, 1/4" Tube OD x 1/8 NPT Female, Nickel-Plated Brass
4	5030	90 Degree, 12mm OD x 1/2 Maile Pipe, Nickel-Plated Brass
5	5029	Inline Tee Adapter, 1/2 Rc, Nickel-Plated Brass
6	5031	Bushing Reducing Adapter, 1/2 to 1/4 Rc, Nickel-Plated Brass
7	UI30036000	Pressure relief valve
8	5028	Muffer, 1/2 G
9	04444840	3-way ball valve, 1/2 Rc, Nickel-Plated Brass
10	5032	1/2 Rc pipe nipple, 1.5" long, nickel-plated brass
11	5040	Air regulator, SMC AR40-D, 1/2 NPT
12	5033	90 Degree Adapter, 1/4" Tube OD x 1/8 Male Pipe
13	5034	Straight Adapter, 12mm Tube OD x 1/2 Rc Female
14	5035	1/4"x1/8" Firm Polyuretthat hose, black
15	5036	12x8mm Firm Polyuretthat hose, black
	5037	1/4"-20 x 3/4" long, hex bolt, Grade 5, Zinc-Plated
	5038	1/4"-20 locknut, Grade 5, Zinc-Plated
	5039	1/4" washer, Zinc-Plated



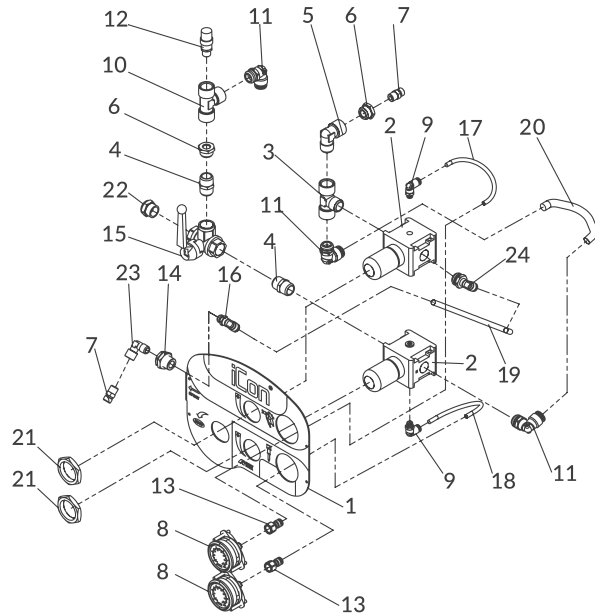
AIR ASSISTED WALL MOUNT AIR REGULATOR

Ref.	Code	Description
-	5134	AIR ASSISTED WALL MOUNT AIR REGULATOR
1	5120	Dual air regulator panel
2	5121	Gun air regulator
3	5122	Pump air regulator
4	5123	Regulator spacer
5	5124	3/8" universal-thread to 12mm push connect fitting
6	5125	1/4" NPT to BSPP adapter, Zinc Plated
7	5126	1/4" NPT inline tee, Brass
8	5127	1/4" universal-thread to 1/4 push connect elbow fitting
9	5033	1/8" universal-thread to 1/4 push connect elbow fitting
10	5027	Straight Adapter, 1/4" Tube OD x 1/8 NPT Female, Nickel-Plated Brass
11	9927	Pressure gauge, 0-100 psi
13	5028	Muffer, 1/2 G
14	5034	Straight Adapter, 12mm Tube OD x 1/2 Rc Female
15	04444840	3-way ball valve, 1/2 Rc, Nickel-Plated Brass
16	5128	1/2" to 3/8" NPT reducing bushing, Nickel-Plated Brass
17	5129	3/8" NPT x 1.25" long pipe, Brass
18	5029	Inline Tee Adapter, 1/2 Rc, Nickel-Plated Brass
19	5031	Bushing Reducing Adapter, 1/2 to 1/4 Rc, Nickel-Plated Brass
20	UL30036000	Pressure relief valve
21	5035	1/4"x1/8" Firm Polyuretthat hose, black
22	5036	12x8mm Firm Polyuretthat hose, black



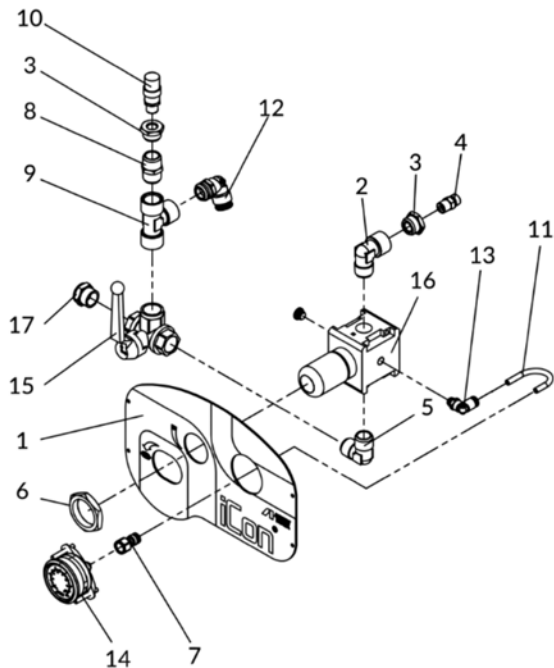
AIR REGULATOR SET - Multi Spray - Cart Mount

Ref.	Code	Description	
-	94445740	AIR REGULATOR SET - CART MOUNT	
1	04444640	PANEL	
2	04444800	AIR REGULATOR	
3	04445850	"T" ADAPTOR	1/2" FMF
4	04444910	NIPPLE	1/2"
5	04444930	ELBOW UNION	1/2" MF
6	04444860	REDUCER	G1/2"-G1/4"
7	UL30010501	SPECIAL NIPPLE	R1/4" - G1/4"
8	04444650	PRESSURE GAUGE	
9	04444940	ELBOW UNION	1/8" - ø 6
10	04444850	"T" ADAPTOR	1/2" FFF
11	04444920	ELBOW MALE ADAPTOR	1/2"x ø12
12	UL30036000	SAFETY VALVE	
13	04444950	FEMALE ADAPTOR	1/4" - ø6
14	04444870	BULKHEAD CONNECTOR	1/4"
15	04444840	3-WAY VALVE	1/2"
16	04447940	ELBOW UNION	1/8" - ø 8
17	04444670	AIR HOSE 1	ø 6 - 160 mm
18	04447920	AIR HOSE 2	ø 6 - 200 mm
19	04444680	AIR HOSE 3	ø 8 - 80 mm
20	04447930	AIR HOSE 5	ø 12
21	04444830	TOP MOUNTING RING	
22	04447820	EXHAUST FILTER	
23	04001230	ELBOW JOINT	1/4"
24	04001130	ELBOW UNION	1/2" ø 8

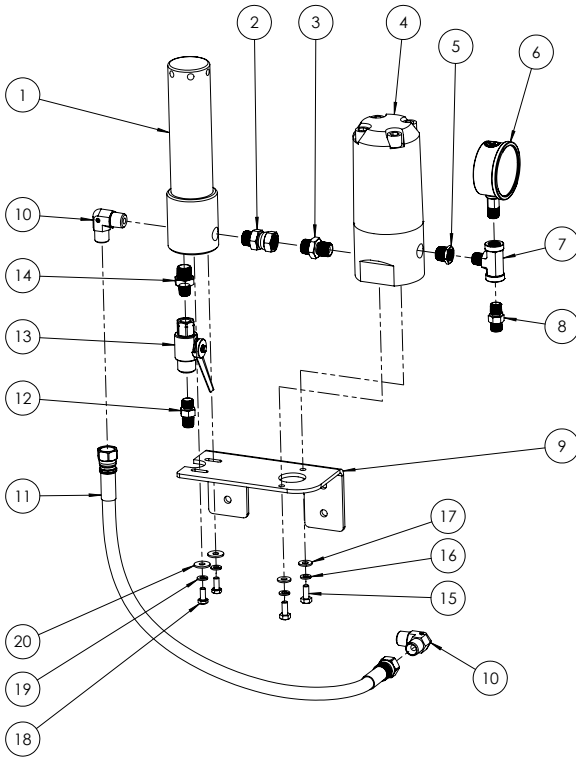


AIRLESS REGULATOR SET - Multi Spray - Cart Mount

Ref.	Code	Description	
-	94445740	AIRLESS REGULATOR SET - CART MOUNT	
1	04445640	PANEL	
2	04444930	ELBOW UNION	1/2" MF
3	04444860	REDUCER	G1/2" - G1/4"
4	UL30010501	SPECIAL NIPPLE	R1/4" - G1/4"
5	04445650	ELBOW JOINT	1/2"
6	04444830	TOP MOUNTING RING	
7	04444950	FEMALE ADAPTOR	1/4" - ø 6
8	04444910	NIPPLE	1/2"
9	04444850	"T" ADAPTOR	1/2" FFF
10	UL30036000	SAFETY VALVE	
11	04444670	AIR HOSE	ø 6
12	04444920	ELBOW MALE ADAPTOR	1/2" x ø 12
13	04444940	ELBOW MALE ADAPTOR	1/8" x ø 6
14	04444650	PRESSURE GAUGE	
15	04444840	3-WAY VALVE	1/2"
16	04444800	AIR REGULATOR	
17	04447820	EXHAUST FILTER	



iCon FLATLINE COATING SYSTEM



High Pressure Fluid Regulator Kit For Flatline - Wall Mount

Ref.	Code	Description
-	9936	HIGH PRESSURE FLUID REGULATOR KIT
1	1457000000	TF-8N paint filter set
2	UL300402	3/8 MBSPT to 3/8 FBSPP
3	5025	3/8" G to NPT Male straight adaptor, Stainless Steel
4	9921	100-1250 psi fluid pressure reg
4	9925	1000-3000 psi fluid pressure reg
5	5026	1/4" G to NPT Male straight adaptor, Stainless Steel
6	9926	0-2000 psi pressure gauge, stainless, liquid filled, 1/4"npt
7	5023	1/4" NPT inline tee, Stainless Steel
8	5022	3/8" to 1/4" NPT Reducing Bushing, Stainless Steel
9	9918	iCon wall mount fluid regulator bracket
10	5024	3/8" G to R Male 90 elbow, stainless steel
11	9924	3/8" high pressure fluid hose, 2' long
12	UL300302	1/4 MBSPT to 8x6 hose connector
13	UL30090100	1/4 FBSPT ball valve
14	UL300453	3/8 MBSPT to 1/4 MBSPT straight connector
15	5019	Bolt, 1/4"-20 x 5/8" x2
16	5020	Split Lock Washer, 1/4" x2
17	5021	Washer, 1/4" x2
18	5016	Bolt, M6-1 x 14mm x2
19	5017	Split Lock Washer, M6 x2
20	5018	Washer, M6 x2



High Pressure Fluid Regulator Prep Kit For Flatline - Wall Mount

Ref.	Code	Description
-	9937	HIGH PRESSURE REGULATOR PREP (NO REGULATOR)
1	9918	iCon wall mount fluid regulator bracket
3	1457000000	TF-8N paint filter set
4	9924	3/8" high pressure fluid hose, 2' long
5	5024	3/8" G to R Male 90 elbow, Stainless Steel
6	UL300453	3/8MBSPT to 1/4 MBSPT straight connector
7	UL30090100	1/4 FBSPT ball valve
8	UL300302	1/4 MBSPT to 8x6 hose connector
9	UL300402	3/8 MBSPT to 3/8 FBSPP
10	5025	3/8" G to NPT Male straight adaptor, Stainless Steel

