

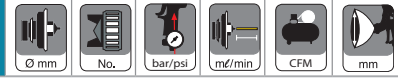
AIR GUNSA AZ3 HV-2 HVLP



FEATURES

- HVLP spray gun with low operating air pressure
- Robust spray gun
- Flat and thin spray pattern with a fine atomization
- All wetted parts in stainless steel
- Replacement parts available
- O-Ring Kit Part #9166

TECHNICAL



AZ3 HV-2 HVLP					
Model	Ø mm	No.	bar/psi	m³/min	CFM
AZ3HV2-13GC	1.3	HVLP	2.0/30	150	11.0
AZ3HV2-15GC	1.5			185	11.4
AZ3HV2-18GC	1.8			215	13.4
AZ3HV2-20GC	2.0			240	14.2

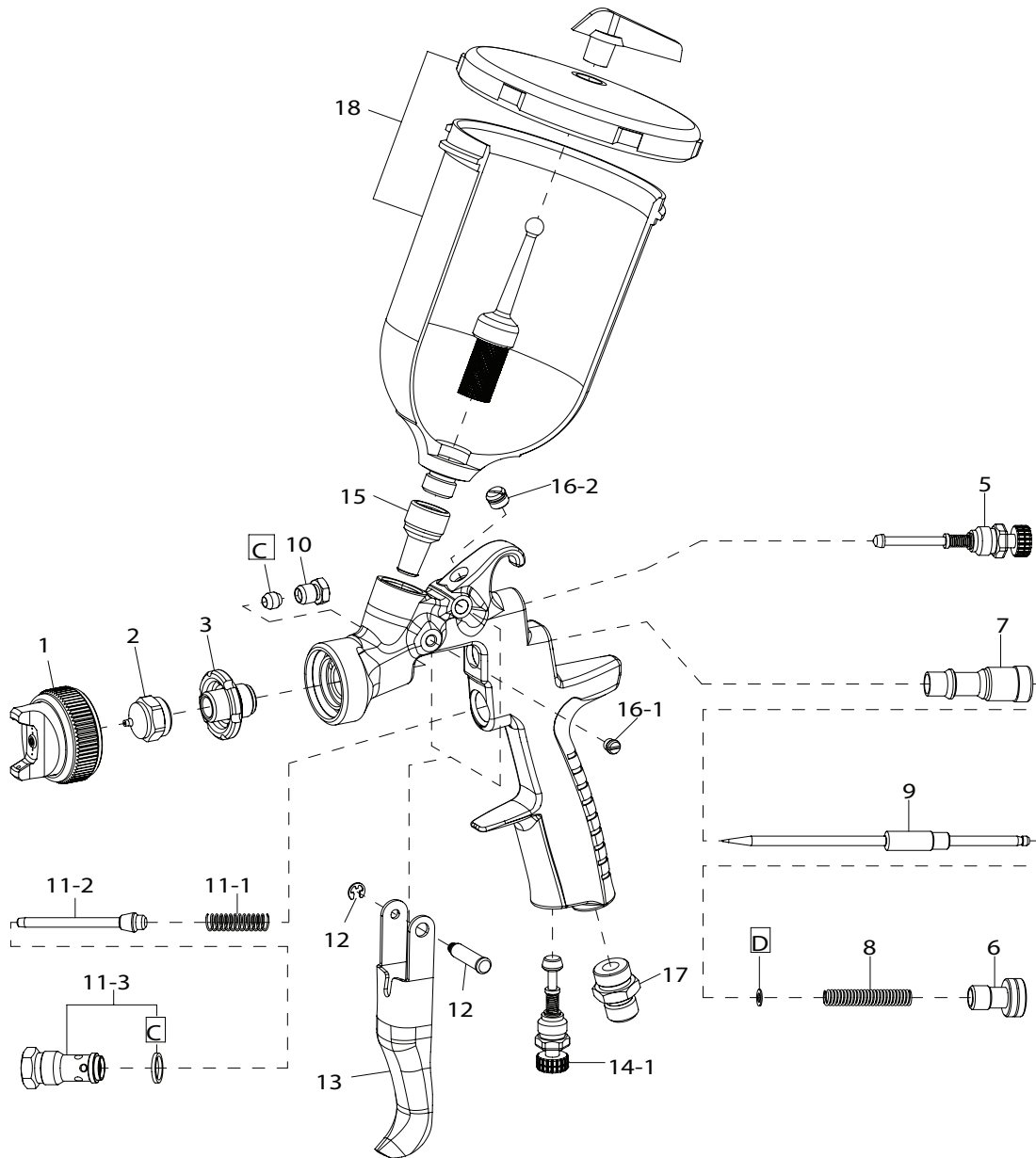


Air GunSA HVLP Gravity
Spray Gun Kit
Part #9276

ORDER Information - AZ3 HV-2 HVLP W/ 600ml CUP

	ø 1.3	ø 1.5	ø 1.8	ø 2.0
GRAVITY SPRAY GUN + PCG6PM - 600 ml	9230	9231	9232	9233
NOZZLE + NEEDLE SET	9173	9152	9153	9154
AIR CAP SET	9254			





SPARE PARTS

Ref.	Code	Description	Qty.
1		AIR CAP SET	
2+9		NOZZLE + NEEDLE SET	
3	9193	NOZZLE HOLDER	
5	93842601	PATTERN ADJ. SET	
6	9145B	FLUID NEEDLE ADJ. KNOB	
7	9135	FLUID NEEDLE GUIDE	
8	9155B	FLUID NEEDLE SPRING	
10	9134	FLUID NEEDLE PACKING NUT	
11	9211	AIR VALVE SET	
11-1	9156B	AIR VALVE SPRING	
11-2	9146-B	AIR VALVE SHAFT	

Ref.	Code	Description	Qty.
11-3	9148	AIR VALVE SEAT	
12	9133	TRIGGER STUD	
13	9256	TRIGGER	
14-1	93845531	AIR ADJ. SET	
14-2	93625370	PLUG	
15	9195	THREADED BUSHING	
16-1	9196	SCREW	
16-2	9257	PLUG	
17	9213	AIR NIPPLE	
C	9166	PACKING SET	(3 pcs./1 pk.)
18	9131	600ml CUP SET	