

WS-200 SERIES



WS-200 SP

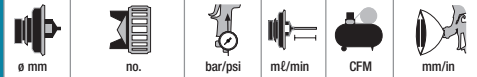


WS-200 FT

FEATURES

- Available with proven Split Nozzle™ Technology for increased material savings
- Unmatched transfer efficiency
- Lightweight, ergonomic design
- Produces a high quality finish
- Forged aluminum body with stainless steel fluid passages for durability
- Ease of maintenance

TECHNICAL



WS-200 SP PRESSURE - SPLIT NOZZLE TECHNOLOGY

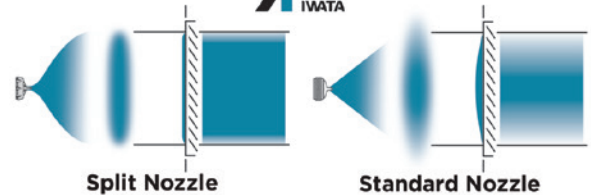
Model	ø mm	no.	bar/psi	m³/min	CFM	mm/in
WS-200SP-0801	0.8	WS-200SP-01	2.5/36	15.3		210/8.3
WS-200SP-1001	1.0					230/9.1
WS-200SP-1201	1.2					240/9.4
WS-200SP-1401	1.4					240/9.4
WS-200SP-1601	1.6					255/10.0
WS-200SP-1801	1.8					265/10.4

WS-200 FT PRESSURE - FLAT NOZZLE

Model	ø mm	no.	bar/psi	m³/min	CFM	mm/in
WS-200FT-0802	0.8	WS-200FT-02	3.0/43	16.7		215/8.5
WS-200FT-1002	1.0					250/9.8
WS-200FT-1202	1.2					255/10.0
WS-200FT-1402	1.4					255/10.0
WS-200FT-1602	1.6					270/10.6
WS-200FT-1802	1.8					285/11.2

Air nipple: G1/4" and fluid nipple: fixed G3/8"

PROVEN SPLIT NOZZLE™ TECHNOLOGY



Split Nozzle

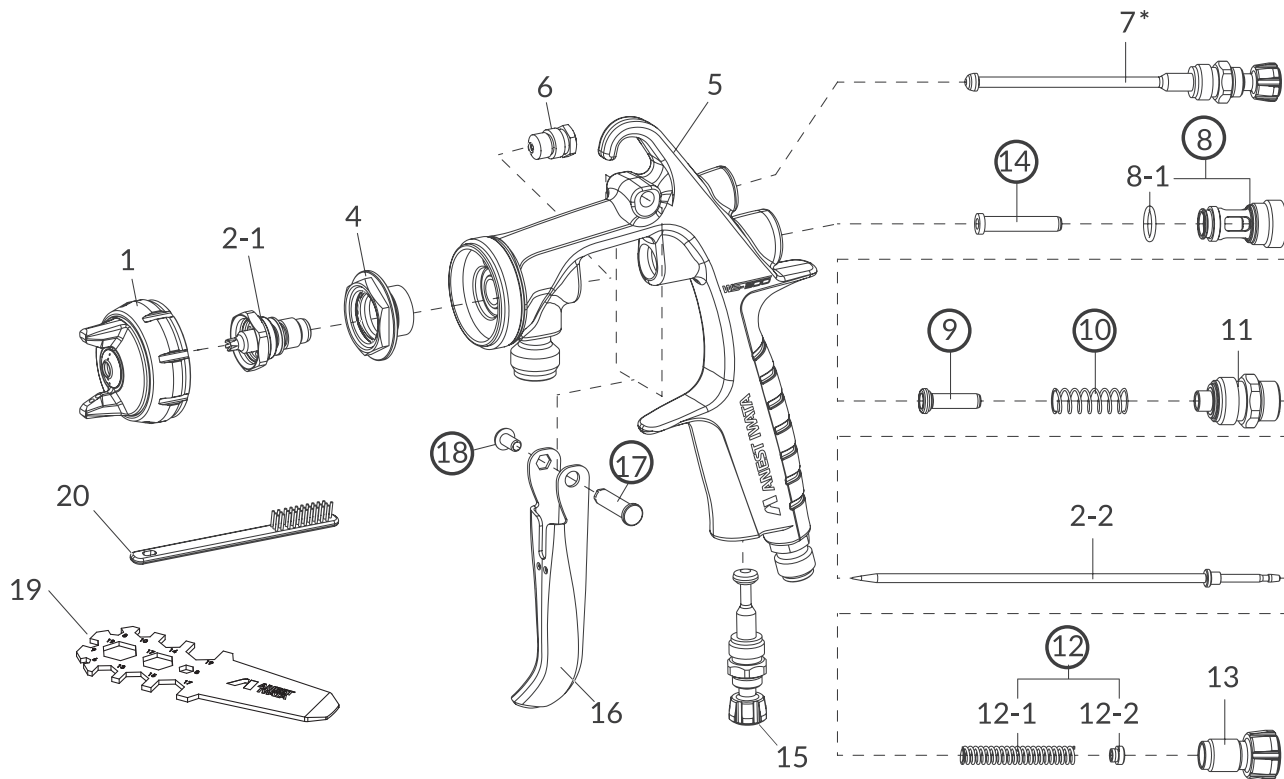
Standard Nozzle

ORDER Information - WS-200 SP - Split Nozzle Technology

	ø 0.8	ø 1.0	ø 1.2	ø 1.4	ø 1.6	ø 1.8
WS-200 SP PRESSURE SPRAY GUN	4691	4690	4695	4696	4697	4698
NOZZLE + NEEDLE SET	93007240	93007490	93007550	93007620	93007650	93003690
AIR CAP SET	WS-200 SP-01 93001300					

ORDER Information - WS-200 FT - Flat Tip Nozzle

	ø 0.8	ø 1.0	ø 1.2	ø 1.4	ø 1.6	ø 1.8
WS-200 FT PRESSURE SPRAY GUN	4594	4595	4596	4597	4598	4599
NOZZLE + NEEDLE SET	93002180	93002150	93002130	93003420	93003480	93003500
AIR CAP SET	WS-200 FT-02 93002190					



SPARE PARTS

Ref.	Code	Description
1	see left	AIR CAP SET WS-200SP-01
1	see left	AIR CAP SET WS-200FT-01 and WS-200FT-02
2-1 + 2-2	see left	FLUID NOZZLE + NEEDLE SET WS-200SP
2-1 + 2-2	see left	FLUID NOZZLE + NEEDLE SET WS-200FT
4	93007750	BAFFLE RING SET (BAFFLE RING + PACKING)
6	93765610	NEEDLE PACKING SET
7	93001561	PATTERN ADJUSTMENT
8	93001640	AIR VALVE SEAT SET
8-1	93001680	O RING
9	93001690	AIR VALVE
10	93001700	AIR VALVE SPRING
11	93001710	FLUID ADJUSTMENT GUIDE SET

Ref.	Code	Description
12	93002820	NEEDLE SPRING SET
12-1	93593530	FLUID NEEDLE SPRING
12-2	93001760	NEEDLE SPRING PACKING
13	93001780	FLUID ADJUSTMENT KNOB
14	93001790	AIR VALVE SHAFT
15	93001801	AIR ADJUSTMENT SET
16	93001820	TRIGGER SET
17	93001870	TRIGGER STUD
18	93001960	HEX. SOCKET BUTTON BOLT
19	93505951	UNIVERSAL SPANNER
20	93019720	BRUSH

ACCESSORIES

Ref.	Code	Description
	5655	REPAIR SERVICE KIT (includes: 6, 8, 10, 12, 17, 18)