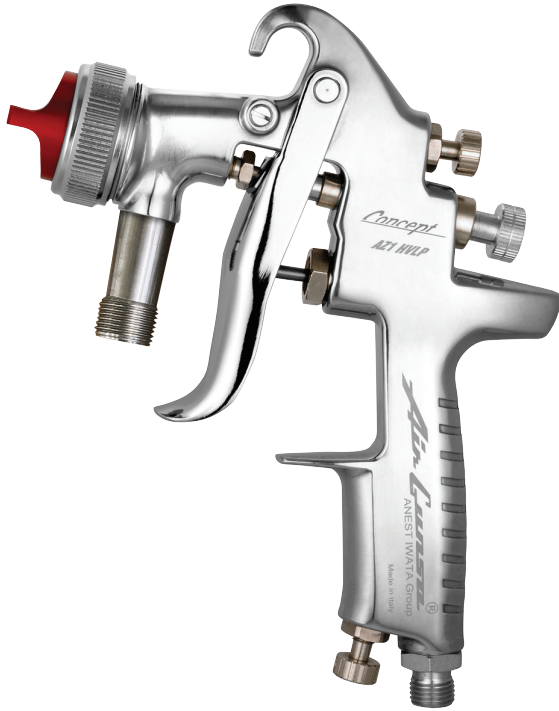


AIR GUNSA AZ1-HVLP-CONCEPT



FEATURES

- HVLP spray gun with low operating air pressure
- Specially designed air cap delivers a long spray pattern with extra fine atomization and very little overspray
- Experienced and novice painters can achieve a consistent, high quality finish at budget cost
- Easy maneuverability and improved ergonomics
- Compatible with ANEST IWATA pressure pots and diaphragm pumps

TECHNICAL

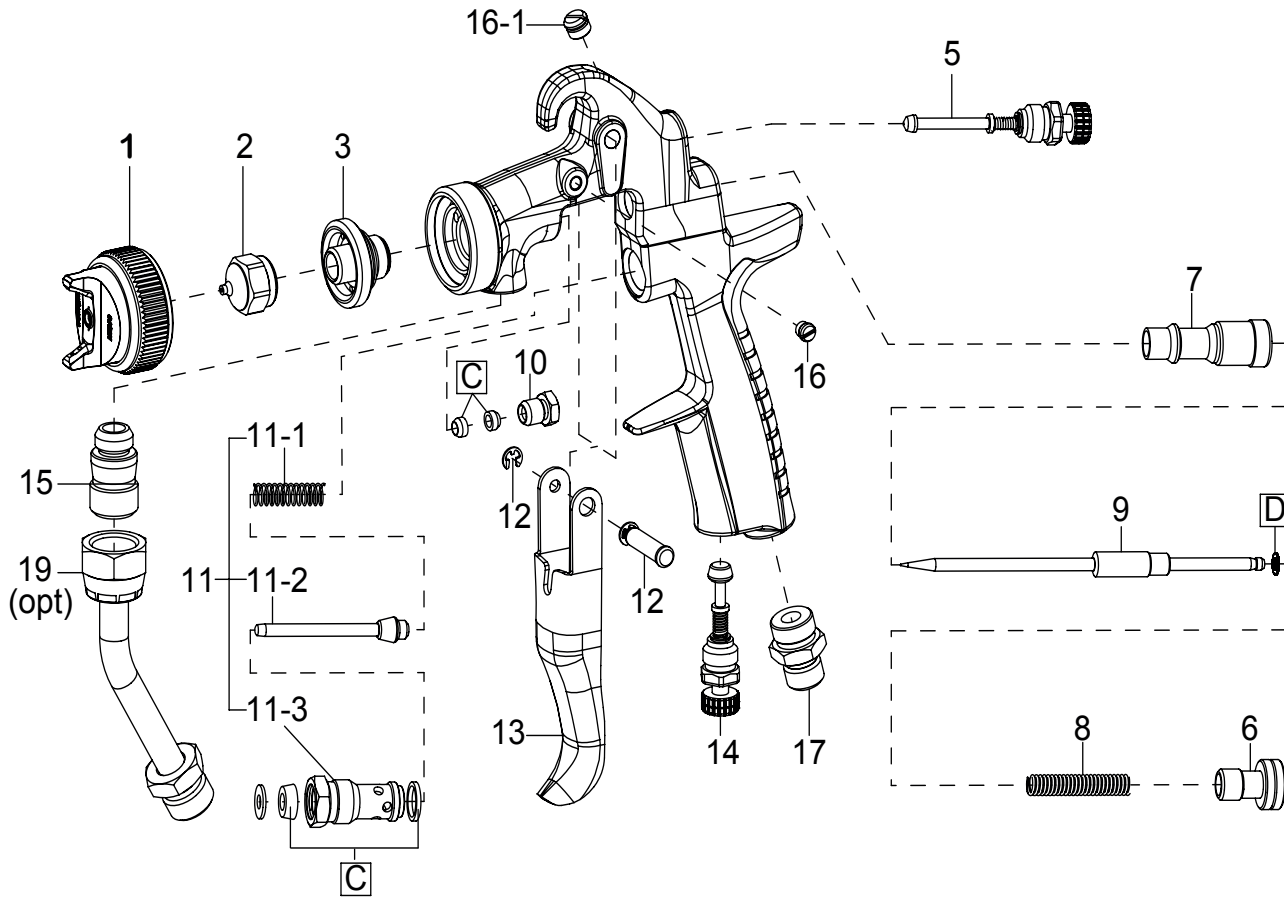


AZ1-HVLP-CONCEPT							
AZ1-HVLP-10P	1.0	HVLP -P6	1.4/20	400	9.88	310	
AZ1-HVLP-13P	1.3					360	
AZ1-HVLP-15P	1.5					380	
AZ1-HVLP-18P	1.8						
AZ1-HVLP-20P	2.0						
AZ1-HVLP-25P	2.5	HVLP -P7	1.2/17		8.12	320	
AZ1-HVLP-30P	3.0						
AZ1-HVLP-35P	3.2						

ORDER Information - AZ1-HVLP-CONCEPT

	ø 1.0	ø 1.3	ø 1.5	ø 1.8	ø 2.0	ø 2.5	ø 3.0	ø 3.2
PRESSURE SPRAY GUN	9350	9351	9352	9353	9354	9355	9356	9357





SPARE PARTS

Ref.	Code	Description	Qty.
1	9370	AIR CAP SET	1.0mm - 2.0mm
1	9371	AIR CAP SET	2.5mm - 3.5mm
2+9	9380	FLUID NOZZLE + NEEDLE SET	1.0mm
2+9	9381	FLUID NOZZLE + NEEDLE SET	1.3mm
2+9	9382	FLUID NOZZLE + NEEDLE SET	1.5mm
2+9	9383	FLUID NOZZLE + NEEDLE SET	1.8mm
2+9	9384	FLUID NOZZLE + NEEDLE SET	2.0mm
2+9	9385	FLUID NOZZLE + NEEDLE SET	2.5mm
2+9	9386	FLUID NOZZLE + NEEDLE SET	3.0mm
2+9	9387	FLUID NOZZLE + NEEDLE SET	3.5mm
3	N/A	NOZZLE HOLDER	
5	93842601	PATTERN ADJUSTMENT SET	
6	9145B	FLUID NEEDLE ADJ. KNOB	
7	9135	NEEDLE ADJ. GUIDE	
8	9155B	NEEDLE SPRING	

Ref.	Code	Description	Qty.
10	9134	NEEDLE PACKING NUT	
11	9211	AIR VALVE SET	
11-1	9156B	AIR VALVE SPRING	
11-2	9146B	AIR VALVE	
11-3	9148B	AIR VALVE SEAT	
12	9133	TRIGGER STUD	
13	9256	TRIGGER	
14	93845531	AIR ADJUSTMENT SET	
15	9324	FLUID NIPPLE G3/8"	
16	9196	SCREW	
16-1	9257	PLUG	
17	9213	AIR NIPPLE G1/4"	
19	9324	PAINT TUBE (OPT. FOR AZ1 HTE 2P)	
C	9258B	PACKING SET	(3 pcs./1pk)
D	9259	SLIDE RING KIT	(10 pcs./1pk)