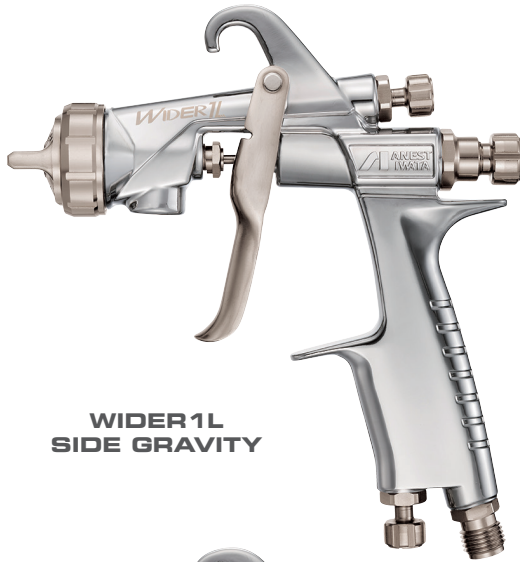


WIDER1L



**WIDER1L
SIDE GRAVITY**



**WIDER1L
SIPHON/PRESSURE**

FEATURES

- HVLP spray gun with low operating air pressure
- Siphon and gravity models with proven Split Nozzle™ Technology for increased material savings
- Lightweight, ergonomic design
- Easier maintenance & cleaning
- Intuitive, user-friendly pattern adjustment
- Larger air valve seat set orifices for consistent installation
- Corrosion-resistant stainless steel fluid passages

TECHNICAL



WIDER1L SIPHON - SPLIT NOZZLE TECHNOLOGY

Model	Ø mm	No.	bar/psi	m³/min	CFM	mm
WIDER1L-2-12J2S	1.2	WIDER1L-2-J2	1.0/14.5	60	7.1	170
WIDER1L-2-14J2S	1.4	WIDER1L-2-J2	1.0/14.5	80	7.1	180
WIDER1L-2-16J2S	1.6	WIDER1L-2-J2	1.0/14.5	95	7.1	190

WIDER1L SIDE GRAVITY - SPLIT NOZZLE TECHNOLOGY

Model	Ø mm	No.	bar/psi	m³/min	CFM	mm
WIDER1L-2-12J2G	1.2	WIDER1L-2-J2	1.0/14.5	80 ^{#1}	7.1	200 ^{#1}
WIDER1L-2-14J2G	1.4	WIDER1L-2-J2	1.0/14.5	130 ^{#1}	7.1	220 ^{#1}
WIDER1L-2-16J2G	1.6	WIDER1L-2-J2	1.3/18.9	100	8.5	220

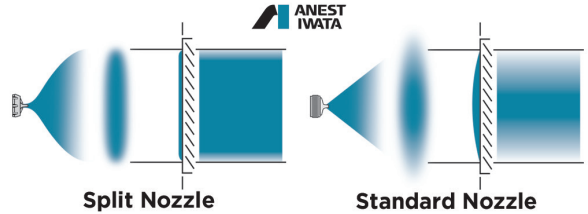
WIDER1L PRESSURE

Model	Ø mm	No.	bar/psi	m³/min	CFM	mm
WIDER1L-12G2P	1.2	WIDER1L-G2	3.4/49.3	350	18.7	270

• Spraying distance : 200mm (for all models) • Viscosity: 20s/NK-2
Air nipple: G1/4 and fluid nipple: G1/4 (for all models) • 1 Viscosity: 12s/NK-2

See page 67
for cup/siphon
container options
(sold separately)

PROVEN SPLIT NOZZLE™ TECHNOLOGY



ORDER Information - WIDER1L Siphon - Split Nozzle Technology

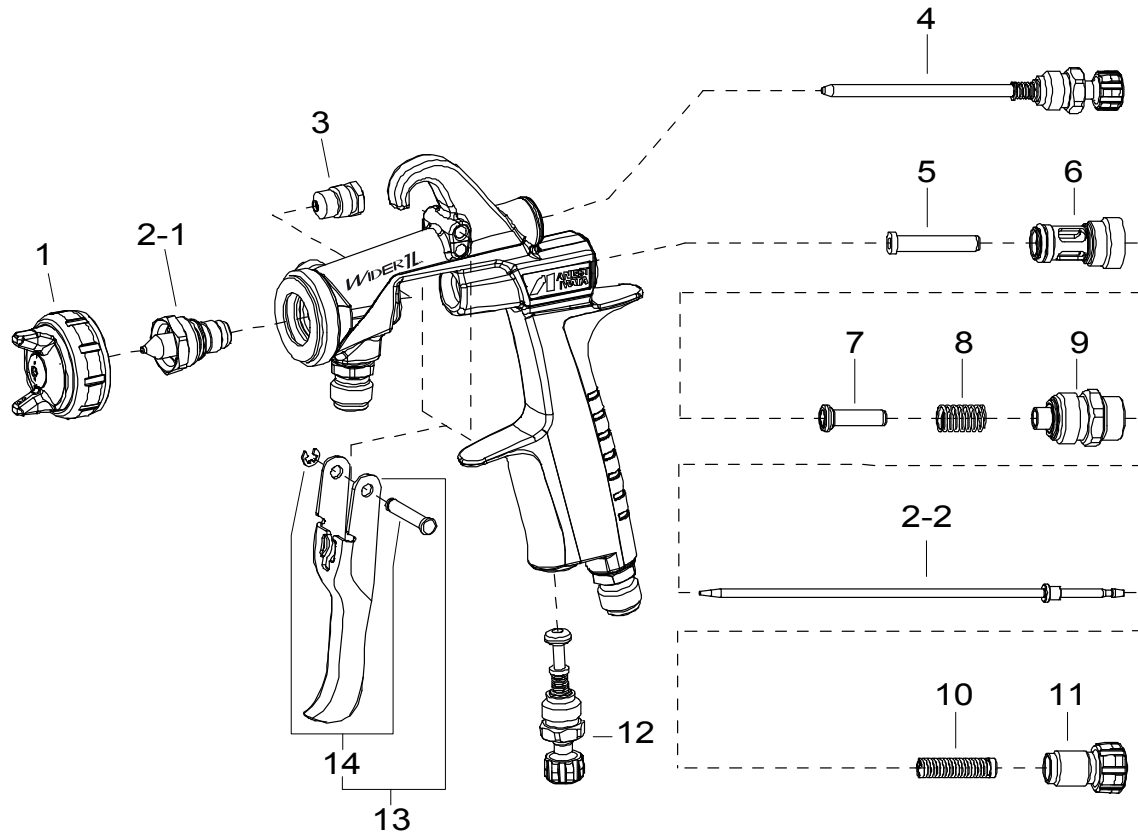
	Ø 1.2	Ø 1.4	Ø 1.6
SIPHON SPRAY GUN	11015	11025	11035
NOZZLE + NEEDLE SET	93013870	93013890	93013920
AIR CAP SET	WIDER1L-2-J2 93013840		

ORDER Information - WIDER1L Side Gravity - Split Nozzle Technology

	Ø 1.2	Ø 1.4	Ø 1.6
SIDE GRAVITY SPRAY GUN	11020	11030	11040
NOZZLE + NEEDLE SET	93013870	93013890	93013920
AIR CAP SET	WIDER1L-2-J2 93013840		

ORDER Information - WIDER1L Pressure

	Ø 1.2
PRESSURE SPRAY GUN	11010
NOZZLE + NEEDLE SET	93013860
AIR CAP SET	WIDER1L-G2 93013820



SPARE PARTS

Ref.	Code	Description
1		AIR CAP SET
2-1		NOZZLE + NEEDLE SET
3	93765610	NEEDLE PACKING CARTRIDGE
4	93012580	PATTERN ADJUSTMENT SET
5	93001790	AIR VALVE SHAFT
6	93001640	AIR VALVE SEAT SET
7	93001690	AIR VALVE
8	93001700	AIR VALVE SPRING
9	93012630	FLUID ADJUSTMENT GUIDE
10	93002820	FLUID NEEDLE SPRING
11	93012650	FLUID ADJUSTMENT KNOB
12	93012660	AIR ADJ. SET
13	93013800	TRIGGER ASSEMBLY
14	93013810	TRIGGER STUD ASSEMBLY

ACCESSORIES

Ref.	Code	Description
	93017689	AIR CAP PACKING
	5654	REPAIR SERVICE KIT (includes: 3, 6, 8, 10, 14)

SIDE GRAVITY CUPS			W-101	W-200	W-77	W-71	LPH-101	LPH-50	RG3L	WIDER1	WIDER2	WIDER1L
MODELS												
250ML		PC 5										
		6009	•			•	•	•	•	•		•
		G1/4" Stainless Steel										
220ML		PC 51										
		6028	•			•	•	•	•			•
		G1/4" Stainless Steel										
130ML		PC 61										
		6010	•			•	•	•	•			•
		G1/4" Stainless Steel										
400ML		PC 4										
		6007		•	•						•	
		G3/8" Stainless Steel										
400ML		PC 4S										
		6008	•			•	•	•	•	•		•
		G1/4" Stainless Steel										
600ML		PCG6P2										
		6011	•			•	•					
		G1/4" Plastic										
600ML		PCG6P3										
		6012		•	•						•	
		G3/8" Plastic										
CODE	SPARE PARTS for SIDE GRAVITY CUPS		MODELS									
94001080	LID SET		PC 4 - PC 4S									
94001100	LID SET		PC 5									
94001191	LID SET		PC 61									

PRESSURE CONTAINERS			W-2003	LPH-2003
MODELS				
1000ML		PC 19B		
		6035	•	•
		G3/8"		
CODE	SPARE PARTS		MODEL	
94903170	LID PACKING SET (2 pcs./1pk.)		PC 19B	
94902161	SUCTION TUBE		PC 19B	