

HVLP/COMPLIANT SPRAY GUNS GRAVITY



W-400-LV-WBX

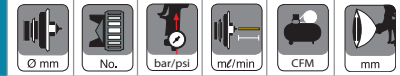
NORTH AMERICAN EXCLUSIVE



FEATURES

- Compliant spray gun that meets EPA NESHAP 40 CFR, Part 63 Subpart 6H
- Proven Split Nozzle™ Technology for increased material savings
- Tulip inspired spray pattern
- Ideal for general purpose use
- Minimal wear parts for easy maintenance

TECHNICAL



W-400-LV-WBX NORTH AMERICAN EXCLUSIVE						
Model	Ø mm	No.	bar/psi	mL/min	CFM	mm
W-400-LV-12WBX	1.2	W400 LVWBX (RED)	1.4/20	100	10.5	260
W-400-LV-13WBX	1.3					280
W-400-LV-14WBX	1.4					300
W-400-LV-15WBX	1.5					305
W-400-LV-16WBX	1.6					315
W-400-LV-18WBX	1.8					335

• Air Nipple: G1/4" • Fluid Nipple: M16 X 1.5m

Red air cap marked max 20 psi /W400LVWBX indicates compliant model specifically intended for use in North America. No other model marked with "WBX" or marketed under the WBX Series has been approved for use in the United States by any environmental agency or governing body. Use of any non-compliant spray equipment in a regulated area can lead to costly fines and additional penalties for the individual user and their employer.



**WBX Spray Gun Kit
Blue Edition
Part #9278**

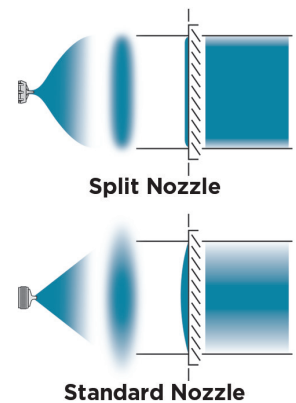
Blue Kit Includes: W-400-LV-WBX 1.3 Gravity Compliant Spray Gun, 1.5 Nozzle (use with 1.3 needle), 1.2 Nozzle Needle Set, 700 ml Aluminum Gravity Cup, Air Regulator, Spray Gun Lubricant, Brush, Wrench



**WBX Spray Gun Kit
Red Edition
Part #9279**

Red Kit Includes: W-400-LV-WBX 1.8 Gravity Compliant Spray Gun, 1.5 Nozzle Needle Set, 1.3 Nozzle Needle Set, 700 ml Aluminum Gravity Cup, Air Regulator, Spray Gun Lubricant, Brush, Wrench

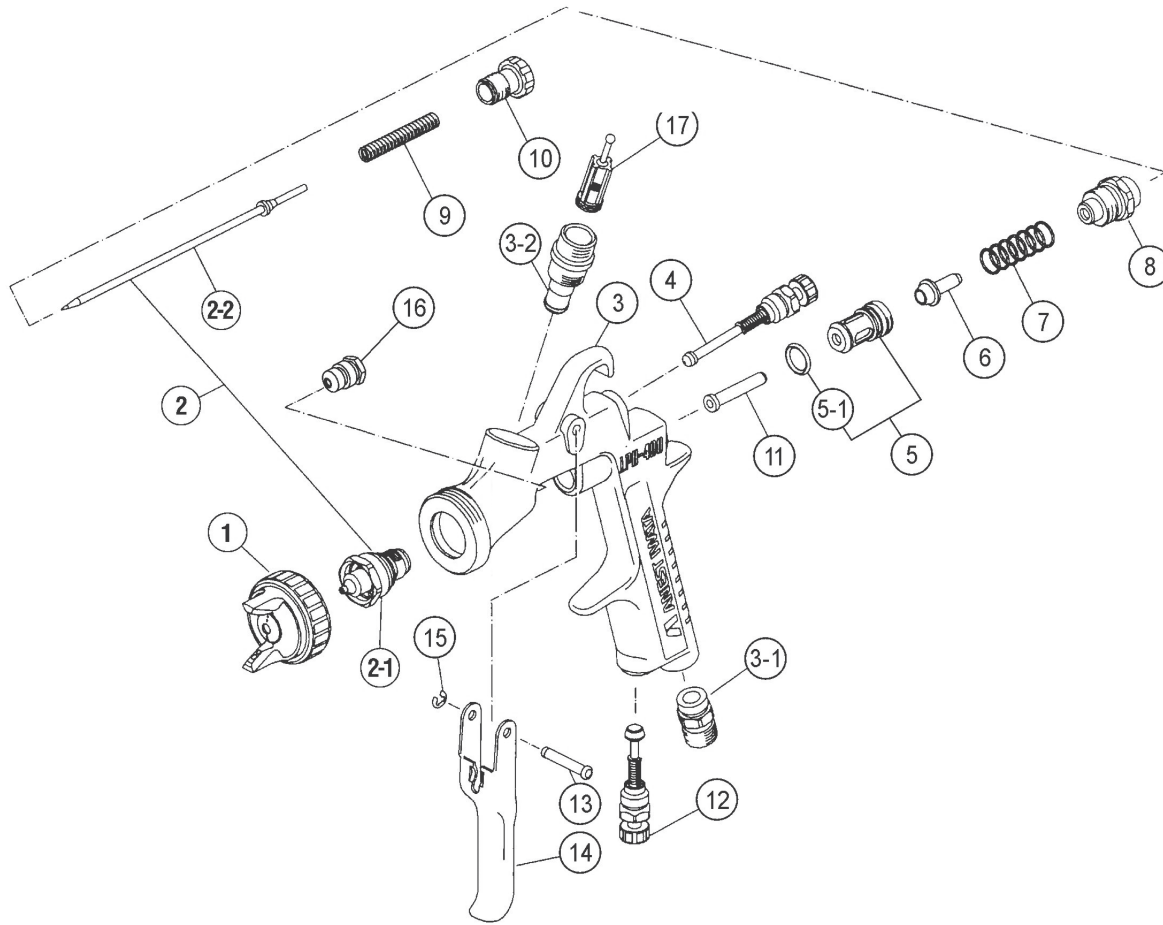
PROVEN SPLIT NOZZLE™ TECHNOLOGY



See page 65
for cup options
(sold separately)

ORDER Information - W-400-LV-WBX W/ REGULATOR

	ø 1.2	ø 1.3	ø 1.4	ø 1.5	ø 1.6	ø 1.8
GRAVITY SPRAY GUN	2112	2113	2114	2115	2116	2118
NOZZLE + NEEDLE SET	93627610	93634610	93628610	93014560	93622620	93635620
AIR CAP SET	93549999					



SPARE PARTS

Ref.	Code	Description	
1		AIR CAP SET	
2		NOZZLE + NEEDLE SET	
3-1	93660300	AIR NIPPLE	1/4"
3-2	93650531	FLUID NIPPLE	M16X1.5
4	93842601	PATTERN ADJ. SET	
5	93843530	AIR VALVE SEAT SET	
5-1	96638008	O RING	
6	93591530	AIR VALVE	
7	93719530	AIR VALVE SPRING	
8	93844532	FLUID ADJUST GUIDE SET	
9	93593530	FLUID NEEDLE SPRING	
10	93594532	FLUID ADJUST KNOB	
11	93935430	AIR VALVE SHAFT	
12	93845531	AIR ADJUST SET	
13	93667360	TRIGGER STUD	
14	93517600	TRIGGER	
15	93912030	STOPPER	(2 PCS./1PK.)
16	93765610	CARTRIDGE PACKING	
17	93515500	FILTER	60 MESH

ACCESSORIES

Ref.	Code	Description
	93708240	AIR CAP PACKING (WHITE)
	93512600	AIR CAP PACKING (BLACK)
	2950	MK5 MAINTENANCE KIT
	5650	REPAIR SERVICE KIT (includes: 4, 7-1, 9, 11, 15, 17)

ALUMINUM GRAVITY CUPS			LS-400 Series 2 Base	WS-400 Series 2 Base	WS-400 Series 2 Clear	LS-400 SUPERNOVA	WS-400 SUPERNOVA	W-400	W-400-LV	W-400-LV-WBX	LPH-400	LPH-300-LV	LPH-80
MODELS													
1000ML		PCG10D2											
		6038D	•	•	•	•	•						
		G1/4" Stainless Steel Fluid Joint											
1000ML		PCG10EM											
		6034E						•	•	•	•		
		M16x1.5 Female Stainless Steel Fluid Joint											
700ML		PCG7D2											
		6032D	•	•	•	•	•					•	
		G1/4" Stainless Steel Fluid Joint											
700ML		PCG7EM											
		6033E						•	•	•	•		
		M16x1.5 Female Stainless Steel Fluid Joint											
400ML		PCG4D2											
		6031D	•	•	•	•	•					•	
		G1/4" Stainless Steel											
150ML		PCG2D-1											
		6036D	•*	•*	•*	•*	•*	•**	•**	•**	•**	•*	•
		G1/8" Stainless Steel											
70ML		PCG1D-1											
		6050	•*	•*	•*	•*	•*	•**	•**	•**	•**	•*	•
		G1/8" Stainless Steel											

*Requires Adaptor Part #6051
 **Requires Adaptor Part #6052

CODE	SPARE PARTS for ALUMINUM GRAVITY CUPS	MODELS
94008321	LID	PCG10/7/4/2
94007321	LID	PCG2

AIR REGULATORS

AK-1R2 Air Regulator Part #8131B

- Self-purging for consistent pressure and optimal performance
- Solvent resistant seals and o-rings
- Adjust range 0-60 psi



AK-1B2 Air Regulator Part # 8130B

- Compact size
- Quality glass gauge
- Adjust range 0-100 psi

