

## LPH-80

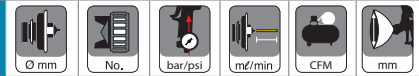


**LPH-80  
with  
PCG2D-1  
Cup**

### FEATURES

- HVLP spray gun with low operating air pressure
- Perfect for spot repair and touch-up as well as coating hard to reach areas
- Very fine atomization with low air consumption
- Extremely low material consumption
- Perfect handling when blending
- One of the most lightweight spot repair guns on the market
- Simple operation of the control knobs for both right and left handers
- Conical seal nozzle, minimum wear parts
- Easy maintenance
- Quality surface for easy cleaning
- Recommended for UV primers and ceramic coatings

### TECHNICAL

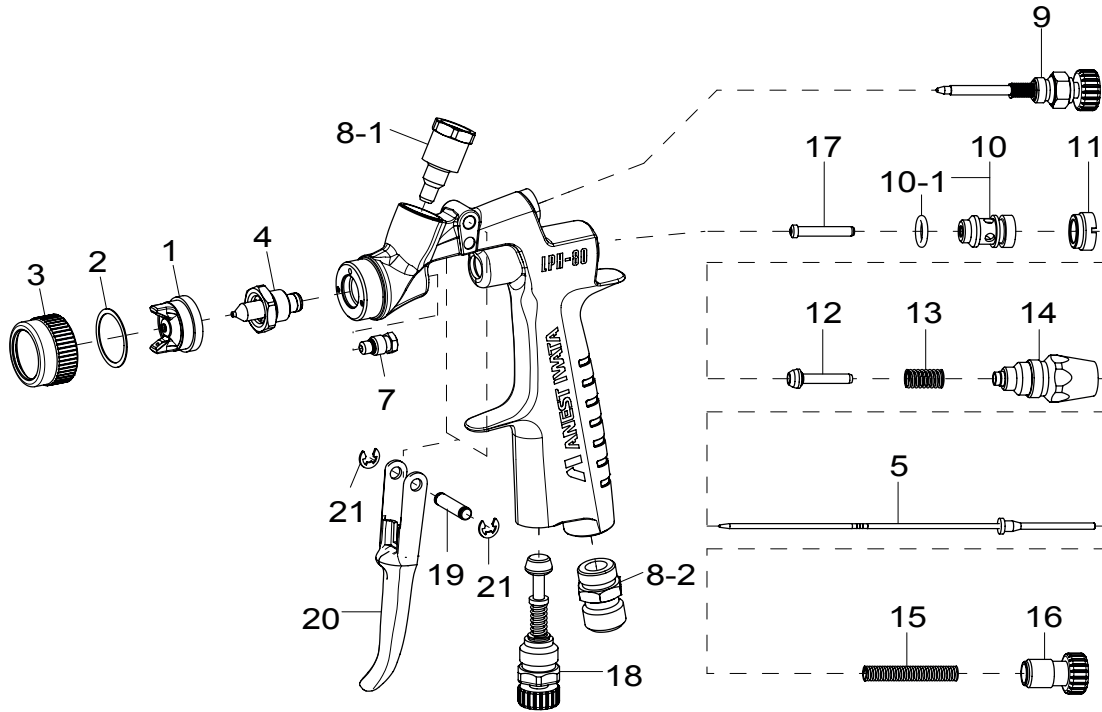


LPH-80						
Model	Ø mm	No.	bar/psi	m³/min	CFM	mm
LPH-80-042G	0.4	E2	1.0/13	8	1.8	40
LPH-80-062G	0.6			25		60
LPH-80-082G	0.8			45		80
LPH-80-102G	1.0			55		100
LPH-80-122G	1.2			80		120
LPH-80-104G (WIDE FAN)	1.0	E4	1.0/14	60	2.2	130
LPH-80-124G (WIDE FAN)	1.2			75		140
LPH-80-ST2						
LPH-80-ST2	1.0	-	1.0/14	-	-	-

Air Nipple: G1/4" • Fluid Nipple: G1/8"

### ORDER Information - LPH-80

	Ø 0.4	Ø 0.6	Ø 0.8	Ø 1.0 (E2)	Ø 1.2 (E2)	Ø 1.0 (E4)	Ø 1.2 (E4)
GRAVITY SPRAY GUN LPH-80	4900	4905	4910	4915	4920	4925	4930
GRAVITY SPRAY GUN + PCG2D-1 - 150ML	4901	4906	4911	4916	4921	4926	4931
AIR CAP SET	93557600					93662600	
NEEDLE SET	93891600	93890600		93886600			
FLUID NOZZLE	93570600	93568600	93761530	93560600	93760530	93560600	93760530



### SPARE PARTS

Ref.	Code	Description	
1	93557600	AIR CAP SET	E2
1	93662600	AIR CAP SET	E4
2	93558600	AIR CAP GASKET	
3	93559600	AIR CAP COVER RING	
4		NOZZLE SET	
5		NEEDLE SET	
7	93940890	NEEDLE PACKING CARTRIDGE	
8-1	93753530	FLUID NIPPLE	1/8" BSP
8-2	93660300	AIR NIPPLE	1/4"
9	93748530	PATTERN ADJ. SET	
10	93912880	AIR VALVE SEAT SET	
10-1	96638005	O RING	
11	93011880	AIR VALVE SEAT SCREW	
12	93013880	AIR VALVE	
13	93012880	AIR VALVE SPRING	
14	93936880	FLUID ADJ. GUIDE SET	
15	93015880	FLUID NEEDLE SPRING	
16	93754530	FLUID ADJ. KNOB	
17	93006880	AIR VALVE SHAFT	
18	93845531	AIR ADJ. SET	
19	93167890	TRIGGER STUD	
20	93162890	TRIGGER	
21	93912030	E STOPPER	2 pcs./1 pk.

### ACCESSORIES

Ref.	Code	Description
	2950	MK5 MAINTENANCE KIT
	2860	REPAIR SERVICE KIT (includes: 7, 10-1, 21)
	2981	TEST CAP GAUGE SET "E2" (042G/062G/082G/102G/122G)
	2982	TEST CAP GAUGE SET "E4" (104G/124G)