

LPH-50

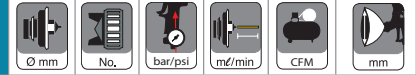


**LPH-50
with PC61
Cup**

FEATURES

- HVLP spray gun with low operating air pressure
- High performance miniature spray gun with side mounted cup
- Superior atomization with low air consumption

TECHNICAL



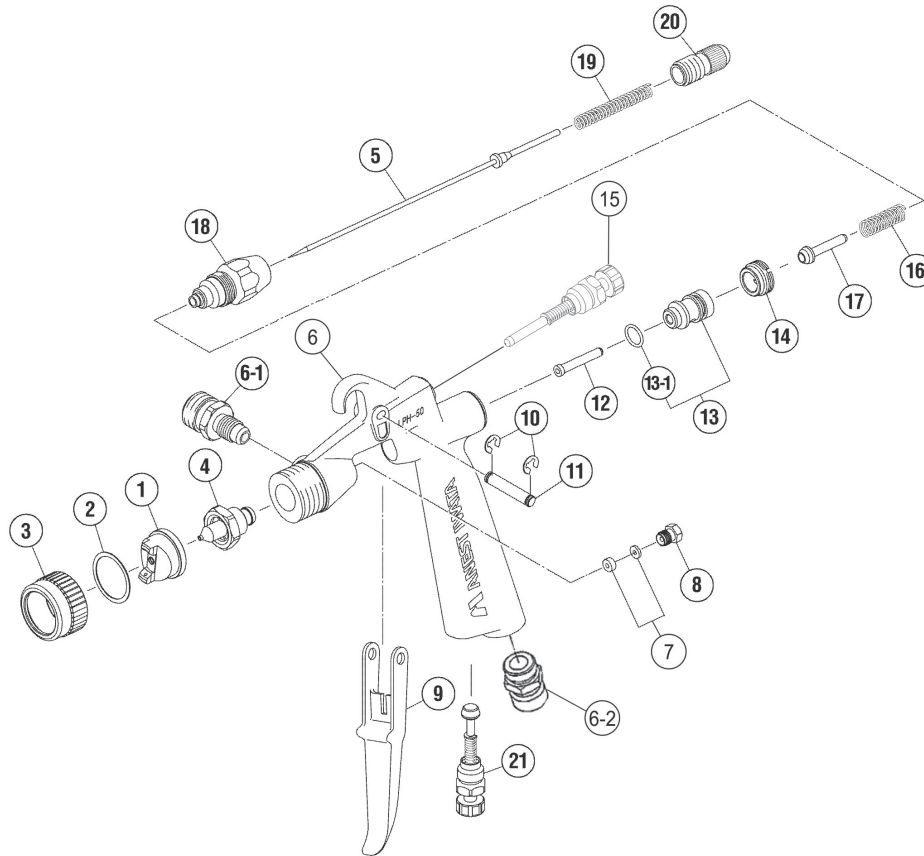
| LPH-50 | | | | | | |
|-------------|------|-----|---------|--------|-----|-----|
| Model | Ø mm | No. | bar/psi | m³/min | CFM | |
| LPH-50-042G | 0.4 | E2 | 0.9/13 | 8 | 40 | |
| LPH-50-062G | 0.6 | | | 25 | 1.8 | 60 |
| LPH-50-102G | 1.0 | | | 55 | | 100 |

• Air Nipple: G1/4" • Fluid Nipple: G1/4"

ORDER Information - LPH-50

| | ø 0.4 | ø 0.6 | ø 1.0 |
|---------------------------------------|----------------|----------|----------|
| SIDE GRAVITY SPRAY GUN LPH-50 | 5261 | 5262 | 5263 |
| SIDE GRAVITY SPRAY GUN + PC61 - 130ML | 5272 | 5274 | 5276 |
| SIDE GRAVITY SPRAY GUN + PC5 - 250ML | 5271 | 5273 | 5275 |
| NOZZLE | 93570600 | 93568600 | 93560600 |
| NEEDLE | 93891600 | 93890600 | 93886600 |
| AIR CAP SET | E2 93557600 | | |





SPARE PARTS

| Ref. | Code | Description | Qty. |
|------|----------|----------------------|-------------|
| 1 | 93557600 | AIR CAP SET E2 | |
| 2 | 93558600 | AIR CAP GASKET | |
| 3 | 93559600 | COVER RING | |
| 4 | | FLUID NOZZLE | |
| 5 | | FLUID NEEDLE | |
| 6-1 | 93005891 | FLUID NIPPLE | |
| 6-2 | 93660300 | AIR NIPPLE | |
| 7 | 93940890 | NEEDLE PACKING SET | Set w/ No.8 |
| 8 | | NEEDLE PACKING SEAT | |
| 9 | 93162890 | TRIGGER | |
| 10 | 93912030 | E STOPPER | (2pcs/1 pk) |
| 11 | 93167890 | TRIGGER STUD | |
| 12 | 93006880 | AIR VALVE SHAFT | |
| 13 | 93912880 | AIR VALVE SEAT SET | |
| 13-1 | 96638005 | O RING | |
| 14 | 93011880 | AIR VALVE SEAT SCREW | |
| 15 | 93888600 | PATTERN ADJ. SET | |
| 16 | 93012880 | AIR VALVE SPRING | |
| 17 | 93013880 | AIR VALVE | |
| 18 | 93936880 | FLUID ADJ. GUIDE SET | |
| 19 | 93015880 | FLUID NEEDLE SPRING | |
| 20 | 93017880 | FLUID ADJ. KNOB | |
| 21 | 93845531 | AIR ADJ. SET | |

ACCESSORIES

| Ref. | Code | Description |
|------|--------|---|
| | 6022 | AIRBRUSH BOTTLE ADAPTER KIT WITH THREE 2 OZ BOTTLES |
| | 6022-1 | AIRBRUSH BOTTLE ADAPTER ONLY |
| | 2981 | TEST CAP SET |
| | 2950 | MK5 MAINTENANCE KIT |
| | 2860 | REPAIR SERVICE KIT (Includes: 7, 8, 10, 13-1) |