

## WS-400HD SUPERNOVA EVOTECH

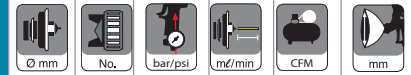


**WS-400HD  
SUPERNOVA  
with PCG7D2  
Cup**

### FEATURES

- Compliant spray gun that meets EPA NESHAP 40 CFR, Part 63 Subpart 6H
- Proven Split Nozzle™ Technology for increased material savings
- Concentrated fine atomization
- Large fan tulip pattern
- Standard for clear coats
- Fast application speed
- Superior transfer efficiency

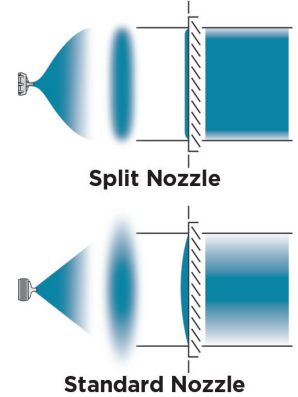
### TECHNICAL



WS-400HD						
WS-400-1201HD	1.2	01	2.0/29	200	13	350
WS-400-1301HD	1.3			220		365
WS-400-1401HD	1.4			240		370
WS-400-1501HD	1.5			260		365
WS-400-OBS13	1.3			160		365

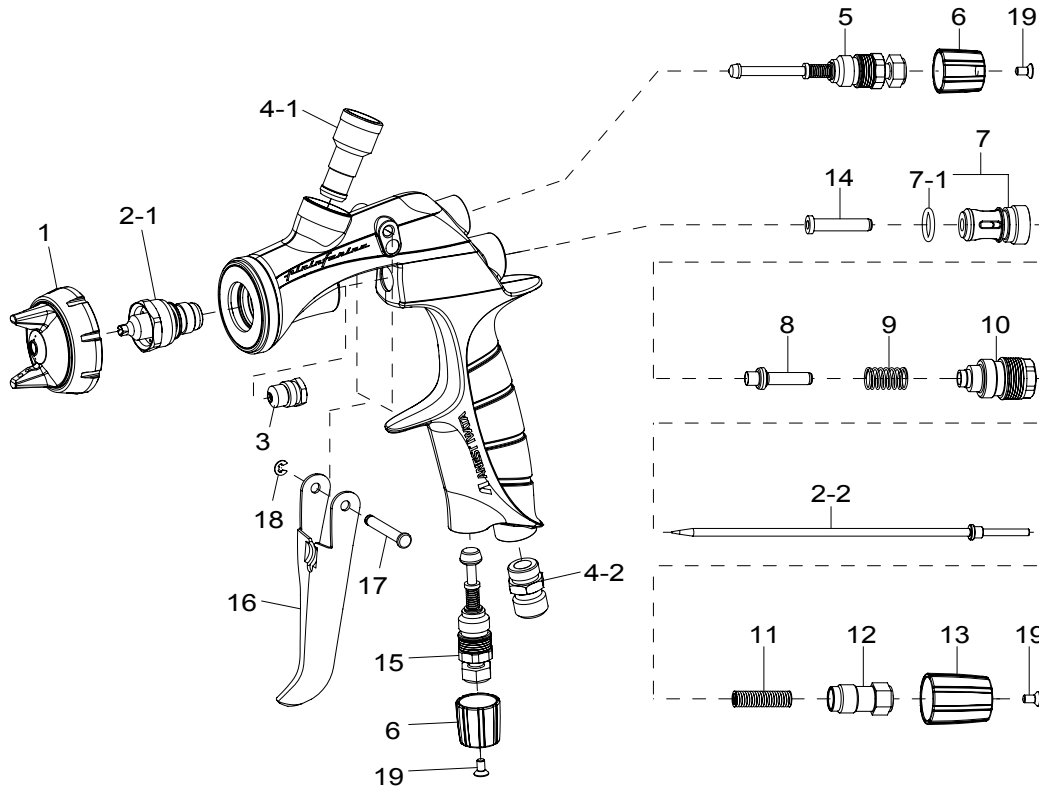
• Air Nipple: G1/4" • Fluid Nipple: G1/4"

### PROVEN SPLIT NOZZLE™ TECHNOLOGY



### ORDER Information - WS-400HD Gravity

	ø 1.2HD	ø 1.3(OBS)	ø 1.3HD	ø 1.4HD	ø 1.5HD
GRAVITY SPRAY GUN WS-400HD	5900	5920	5905	5910	5915
GRAVITY SPRAY GUN + PCG600P2 - 600ML	5901	5921	5906	5911	5916
GRAVITY SPRAY GUN + PCG7D2 - 700ML	5902	5922	5907	5912	5917
GRAVITY SPRAY GUN + PCG10D2 - 1000ML	5903	5923	5908	5913	5918
NOZZLE + NEEDLE SET	93505880	93506850	93506910	93506920	93506930
AIR CAP SET	<b>WS-400-01</b> 93505300				



### SPARE PARTS

Ref.	Code	Description	Qty.
1	93505300	AIR CAP SET 01	
2.1+2.2		NOZZLE + NEEDLE SET	
3	93765610	CARTRIDGE PACKING	
4-1	93505421	FLUID NIPPLE	1/4"
4-2	93660300	AIR NIPPLE	1/4"
5	93505432	PATTERN ADJUST SET	
6	93505471	ADJUST KNOB	SILVER
7	93843530	AIR VALVE SEAT SET	
7-1	96638008	O RING	
8	93505480	AIR VALVE	
9	93719530	AIR VALVE SPRING	
10	93505492	FLUID ADJUST GUIDE SET	
11	93593530	FLUID NEEDLE SPRING	
12	93505822	FLUID ADJ. SCREW SET	
13	93505831	FLUID ADJUST KNOB	SILVER
14	93935430	AIR VALVE SHAFT	
15	93505842	AIR ADJUST SET	
16	93505850	TRIGGER	
17	93505860	TRIGGER STUD	
18	96612025	E STOPPER	
19	93506970	TORQUE SCREW	

### ACCESSORIES

Ref.	Code	Description
	93505341	AIR CAP GASKET (BLACK)
	93505330	AIR CAP GASKET (WHITE)
	5652	REPAIR SERVICE KIT (Includes: 3, 7, 9, 11, 17, & 18)