

## WS-400 SERIES 2 CLEAR



### FEATURES

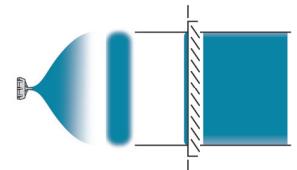
- Compliant spray gun that meets EPA NESHAP 40 CFR, Part 63 Subpart 6H
- Exclusive Split Nozzle™ 2.0 Technology for repeatable results and unmatched performance
- Ideal for a wide range of clearcoat applications
- Nozzle configurations to suit your application style and speed
- Optional DPG1 high-performance digital pressure regulator allows air adjustment convenience without disrupting the spray gun ergonomics

TECHNICAL	digital	ø mm	application speed	no.	bar/psi	m <sup>2</sup> /min	CFM	mm/in	
	<b>HD: HIGH DELIVERY</b>								
WS-400-SR2D-12HD	Y	1.2 HD	CONTROL	WS-400-03	2.0/29	220	13.1	245/9.6	
WS-400-SR2-12HD			STANDARD					245	250/9.8
WS-400-SR2D-13HD	Y	1.3 HD	SPEED					260	255/10.0
WS-400-SR2D-14HD	Y	1.4 HD	HIGH SPEED					280	260/10.2
WS-400-SR2-14HD									
WS-400-SR2D-15HD	Y	1.5 HD							
WS-400-SR2-15HD									

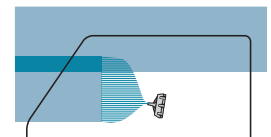
Air Nipple: G1/4" • Fluid Nipple: G1/4"



**SERIES 2 EXCLUSIVE SPLIT NOZZLE™ 2.0**



**Optimized ANEST IWATA Fan Pattern**

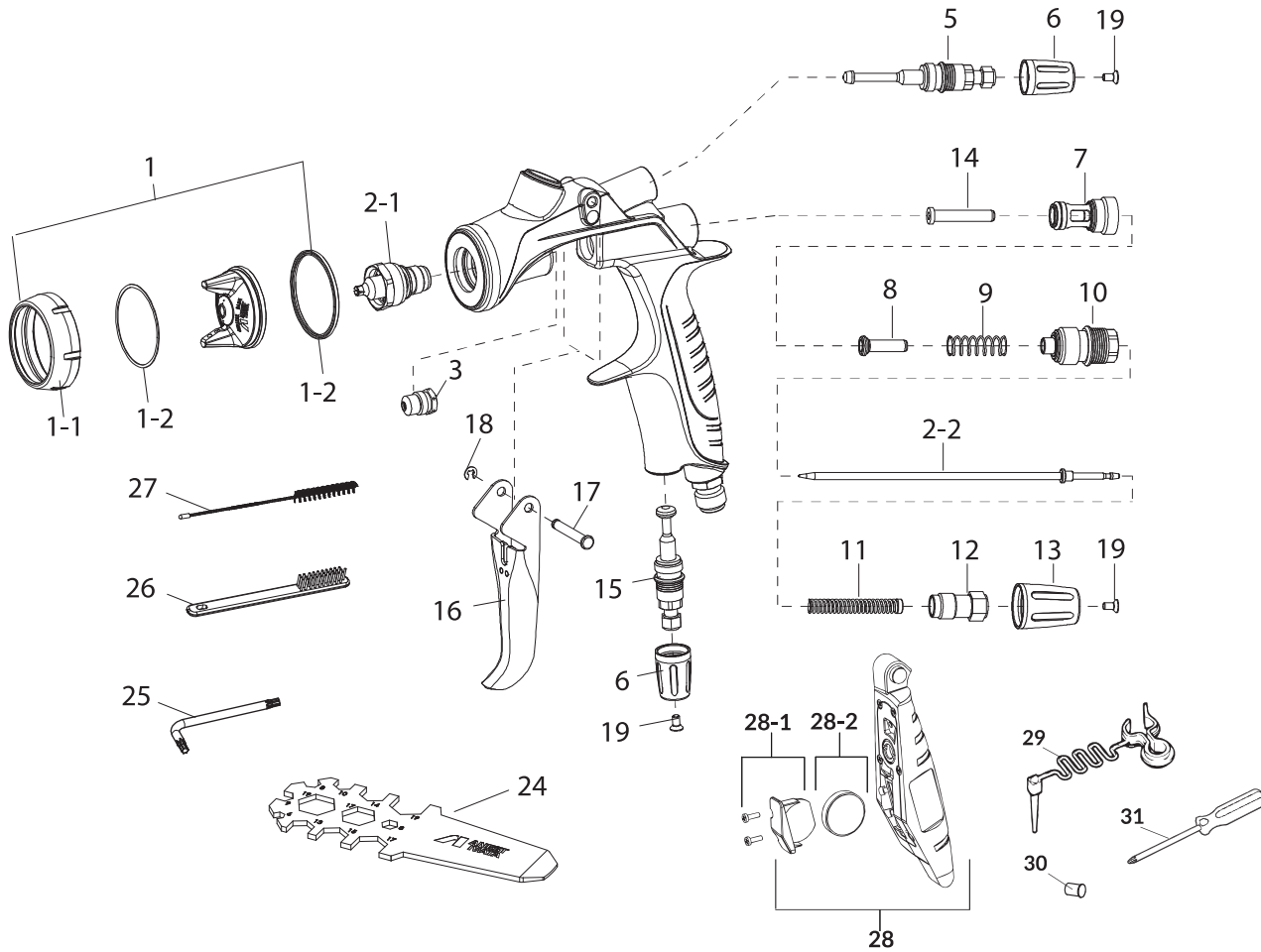


**50-15% overlap**

### ORDER Information

	1.2 HD	1.3 HD	1.4 HD	1.5 HD
ECO SET WITH DIGITAL GRAVITY SPRAY GUN + PCG7D2 - 700 ml	2712D	2713D	2714D	2715D
ECO SET WITH GRAVITY SPRAY GUN + PCG7D2 - 700 ml	2712	2713	2714	2715
NOZZLE + NEEDLE SET	93009140	93009060	93009160	93009180
AIR CAP SET	WS-400-03 93009030			





### SPARE PARTS

Ref.	Code	Description	Qty.
1	93009030	AIR CAP SET 03	
1-1	93009050	AIR CAP RING (GREY)	
1-2	93018310	PACKING SET	2
2.1+2.2	93009140	NOZZLE NEEDLE SET 1.2 HD	
2.1+2.2	93009060	NOZZLE NEEDLE SET 1.3 HD	
2.1+2.2	93009160	NOZZLE NEEDLE SET 1.4 HD	
2.1+2.2	93009180	NOZZLE NEEDLE SET 1.5 HD	
3	93810620	NEEDLE PACKING ASSY	
3	93001410	SELF ADJUSTING NEEDLE PACKING (OPTIONAL)	
5	93008420	PATTERN ADJ. ASSY	
6	93009120	PATTERN ADJ. KNOB (GREY)	
7	93001640	AIR VALVE SEAT ASSY	
8	93001690	AIR VALVE	
9	93001700	AIR VALVE SPRING	
10	93008840	FLUID ADJ. GUIDE ASSY	
11	93002820	FLUID NEEDLE SPRING ASSY	
12	93505823	FLUID ADJ. SCREW	
13	93009130	FLUID ADJ. KNOB (GREY)	
14	93001790	AIR VALVE SHAFT	

Ref.	Code	Description	Qty.
15	93008872	AIR ADJ. ASSY	
16	93008890	TRIGGER	
17	93505860	TRIGGER STUD	
18	96612025	E STOPPER	
19	93512741	TORX SOCKET COUNTERSUNK HEAD SCREWS	
24	93538600	UNIVERSAL SPANNER	
25	03506480K	ALLEN WRENCH SET	3
26	W2COM6163	BRUSHES	5
27	W2COM6162	TWISTED BRUSH Ø10MM	5
28	930114A0	DPG-1 PSI	
28-1	930325A0	BATTERY HOLDER SPARE KIT	
28-2	930083A0	BATTERY	
29	930357A0	TRIGGER LOCKING CLIP	
30	930366A0	PLUGS	5
31	960024A0	SCREWDRIVER	

### ACCESSORIES

Ref.	Code	Description
	930443A0	REPAIR SERVICE KIT (7, 9, 11, 14, 10, 17, 18, & 3)