

## WS-400 SERIES 2 BASE



### FEATURES

- Compliant spray gun that meets EPA NESHAP 40 CFR, Part 63 Subpart 6H
- Exclusive Split Nozzle™ 2.0 Technology for repeatable results and unmatched performance
- Ideal for wet on wet basecoat applications
- Nozzle configurations to optimize your paint and climate conditions
- Optional DPG1 high-performance digital pressure regulator allows air adjustment convenience without disrupting the spray gun ergonomics

### TECHNICAL



#### OBS: FOR TYPE A WET ON WET APPLICATION

Model	Digital	Nozzle (ø mm)	Climate	Pressure (bar/psi)	Flow Rate (mL/min)	CFM	Nozzle Diameter (mm/in)			
WS-400-SR2D-OBS-0	Y	1.3 OBS-0	HUMID	WS-400-02-OBS	2.0/29	210	255/10.0			
WS-400-SR2D-OBS	Y	1.3 OBS	STANDARD*					215	13.1	255/10.0
WS-400-SR2D-OBS+1	Y	1.3 OBS+1	DRY					235		260/10.2

#### BF: FOR TYPE B WET ON WET APPLICATION

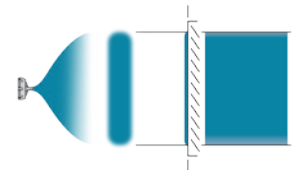
Model	Digital	Nozzle (ø mm)	Climate	Pressure (bar/psi)	Flow Rate (mL/min)	CFM	Nozzle Diameter (mm/in)			
WS-400-SR2D-BF-S	Y	BF-S	STANDARD*	WS-400-03-BF	2.0/29	245	13.1			
WS-400-SR2-BF-S								255	13.7	260/10.2
WS-400-SR2D-BF-40	Y	BF-40	HOT & DRY/ EXTREME							

\*Standard climate range: 59-86° F (15-30°C) with a humidity of 30%-75% RH

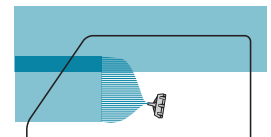
Air Nipple: G1/4" • Fluid Nipple: G1/4"



**SERIES 2 EXCLUSIVE SPLIT NOZZLE™ 2.0**



**Optimized ANEST IWATA Fan Pattern**



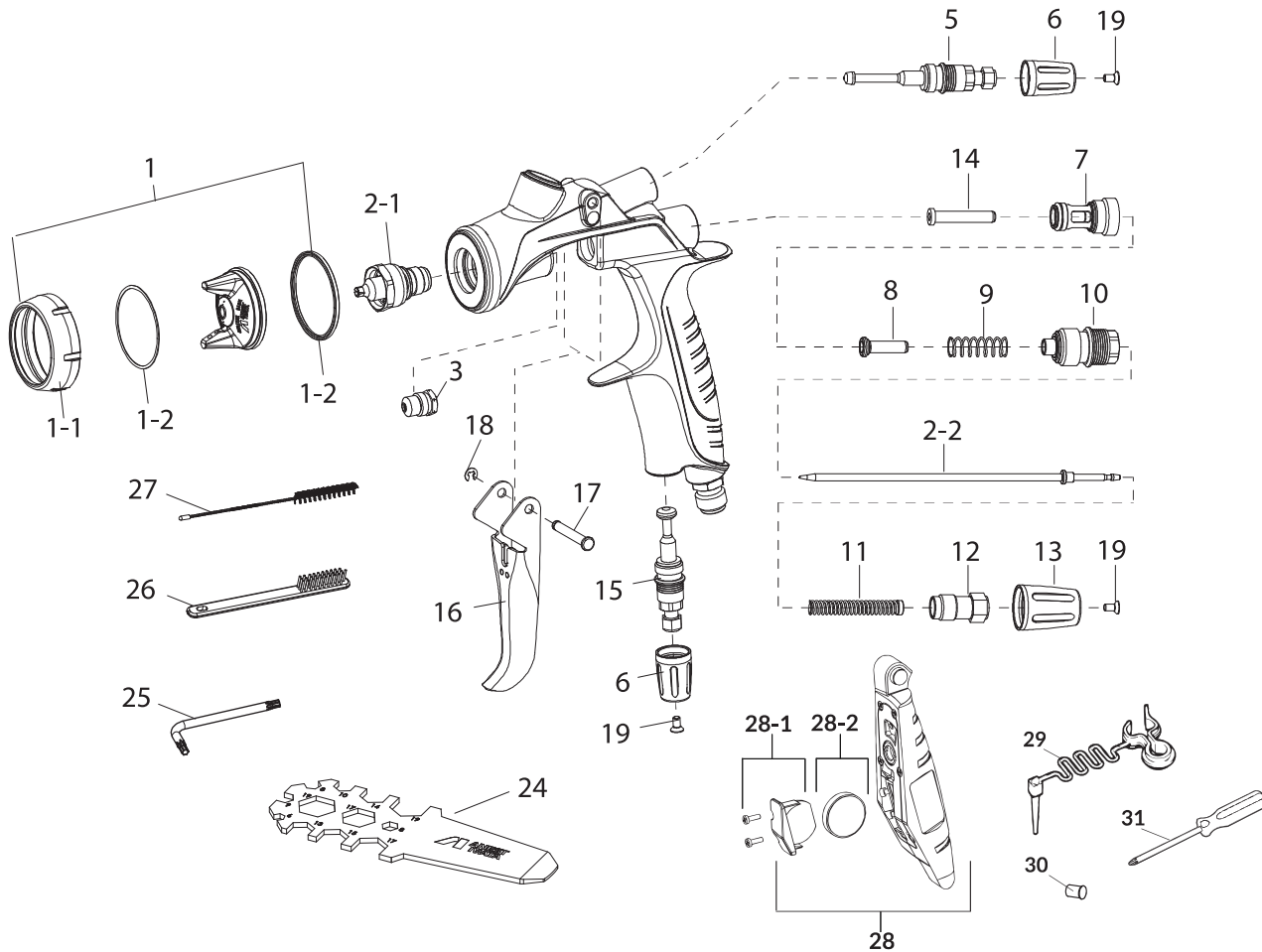
**50-15% overlap**

### ORDER Information

	1.3 OBS-0	1.3 OBS	1.3 OBS+1	BF-S	BF-40
ECO SET WITH DIGITAL GRAVITY SPRAY GUN + PCG7D2 - 700 ml	2916D	2917D	2918D	2920D	2921D
ECO SET WITH GRAVITY SPRAY GUN + PCG7D2 - 700 ml	2916	2917	2918	2920	2921
NOZZLE + NEEDLE SET	93008930	93008340	93008990	93018150	93021390
AIR CAP SET	WS-400-02-OBS 93008310			WS-400-03-BF 93018140	



**WS-400 SERIES 2 BASE**



**SPARE PARTS**

Ref.	Code	Description	Qty.
1	93008310	AIR CAP SET 02-OBS	
1	93018140	AIR CAP SET 03-BF	
1-1	93008330	AIR CAP RING (BLUE)	
1-2	93018310	PACKING SET	2
2.1+2.2	93008930	NOZZLE NEEDLE SET OBS-0	
2.1+2.2	93008340	NOZZLE NEEDLE SET OBS	
2.1+2.2	93008990	NOZZLE NEEDLE SET OBS+1	
2.1+2.2	93018150	NOZZLE NEEDLE SET BF-S	
2.1+2.2	93021390	NOZZLE NEEDLE SET BF-40	
3	93810620	NEEDLE PACKING ASSY	
3	93001410	SELF ADJUSTING NEEDLE PACKING (OPTIONAL)	
5	93008420	PATTERN ADJ. ASSY	
6	93008140	PATTERN ADJ. KNOB (BLUE)	
7	93001640	AIR VALVE SEAT ASSY	
8	93001690	AIR VALVE	
9	93001700	AIR VALVE SPRING	
10	93008840	FLUID ADJ. GUIDE ASSY	
11	93002820	FLUID NEEDLE SPRING ASSY	
12	93505823	FLUID ADJ. SCREW	
13	93008150	FLUID ADJ. KNOB (BLUE)	
14	93001790	AIR VALVE SHAFT	

Ref.	Code	Description	Qty.
15	93008872	AIR ADJ. ASSY	
16	93008890	TRIGGER	
17	93505860	TRIGGER STUD	
18	96612025	E STOPPER	
19	93512741	TORX SOCKET COUNTERSUNK HEAD SCREWS	
24	93538600	UNIVERSAL SPANNER	
25	03506480K	ALLEN WRENCH SET	3
26	W2COM6163	BRUSHES	5
27	W2COM6162	TWISTED BRUSH Ø10MM	5
28	930114A0	DPG-1 PSI	
28-1	930325A0	BATTERY HOLDER SPARE KIT	
28-2	930083A0	BATTERY	
29	930357A0	TRIGGER LOCKING CLIP	
30	930366A0	PLUGS	5
31	960024A0	SCREWDRIVER	

**ACCESSORIES**

Ref.	Code	Description
	930443A0	REPAIR SERVICE KIT (7, 9, 11, 14, 10, 17, 18, & 3)