

LS-400 SUPERNOVA ENTECH

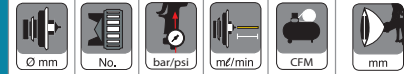


**LS-400
SUPERNOVA
with PCG7D2
Cup**

FEATURES

- HVLP spray gun with low operating air pressure
- Proven Split Nozzle™ Technology for increased material savings
- Excellent for solvent or waterborne base coat and clear coat application
- Large fan pattern
- Superior transfer efficiency
- Quality surface for easy cleaning

TECHNICAL

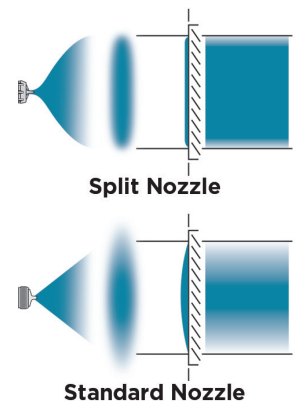


LS-400 SUPERNOVA ENTECH

Model	Ø mm	No.	bar/psi	ml/min	CFM	mm
LS-400-1205	1.2	05	1.8/26	150	14.83	305
LS-400-1305	1.3			160		310
LS-400-1405	1.4			180		320
LS-400-1505	1.5			190		

• Air Nipple: G1/4" • Fluid Nipple: G1/4"

PROVEN SPLIT NOZZLE™ TECHNOLOGY

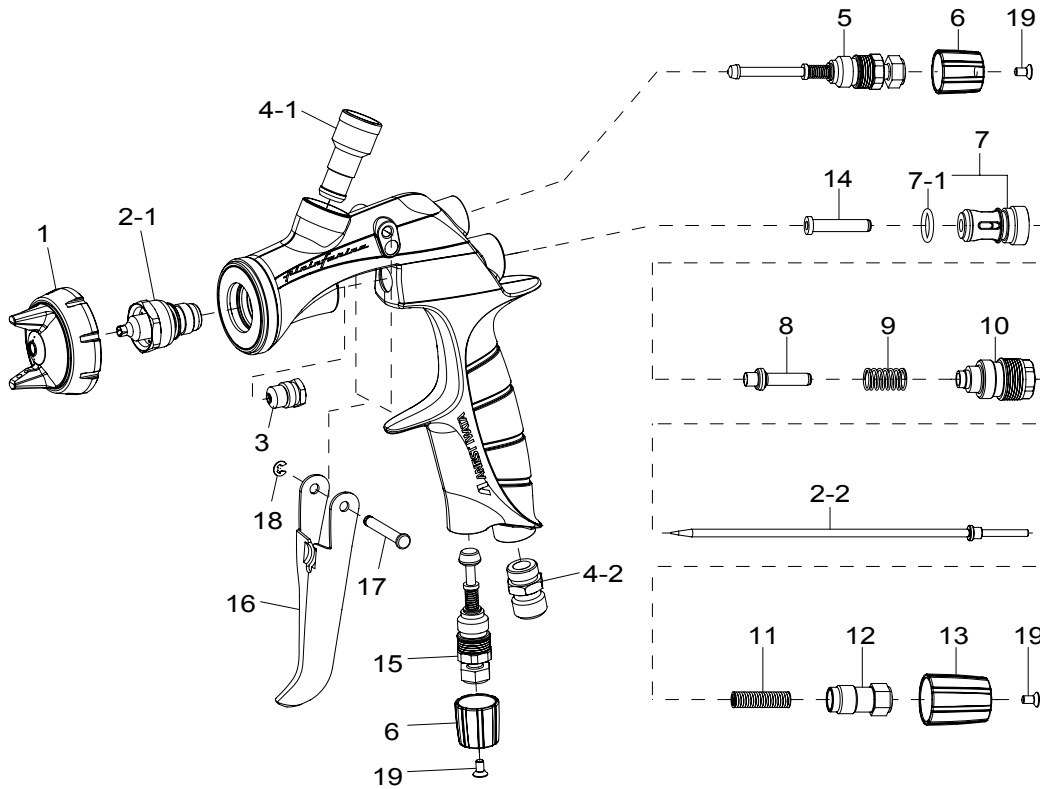


ORDER Information - LS-400 SUPERNOVA ENTECH

	ø 1.2	ø 1.3	ø 1.4	ø 1.5
GRAVITY SPRAY GUN LS-400	5930	5935	5940	5945
GRAVITY SPRAY GUN + PCG600P2 - 600 ml	5931	5936	5941	5946
GRAVITY SPRAY GUN + PCG7D2 - 700 ml	5932	5937	5942	5947
GRAVITY SPRAY GUN + PCG10D2 - 1000 ml	5933	5938	5943	5948
NOZZLE + NEEDLE SET	93512760	93512780	93513120	93513140
AIR CAP SET	LS-400-05 93512100			

ORDER Information - Special Effects ET Nozzle for Xirallic

	ø 1.0	ø 1.1	ø 1.2
ET NOZZLE	93003150	93003190	93512150
ET FLUID NEEDLE	93829600		



SPARE PARTS

Ref.	Code	Description	Qty.
1	93512100	AIR CAP SET 05	
2.1+2.2		NOZZLE + NEEDLE SET	
3	93765610	CARTRIDGE PACKING	
4-1	93505421	FLUID NIPPLE	1/4"
4-2	93660300	AIR NIPPLE	1/4"
5	93505432	PATTERN ADJUST SET	
6	93512290	ADJUST KNOB	GREEN
7	93843530	AIR VALVE SEAT SET	
7-1	96638008	O RING	
8	93505480	AIR VALVE	
9	93719530	AIR VALVE SPRING	
10	93505492	FLUID ADJUST GUIDE SET	
11	93593530	FLUID NEEDLE SPRING	
12	93505822	FLUID ADJ. SCREW SET	
13	93512730	FLUID ADJUST KNOB	GREEN
14	93935430	AIR VALVE SHAFT	
15	93505842	AIR ADJUST SET	
16	93505850	TRIGGER	
17	93505860	TRIGGER STUD	
18	96612025	E STOPPER	
19	93506970	TORQUE SCREW	

ACCESSORIES

Ref.	Code	Description
	93505341	AIR CAP GASKET (BLACK)
	93505330	AIR CAP GASKET (WHITE)
	2978	TEST CAP GAUGE SET 05
	5652	REPAIR SERVICE KIT (Includes: 3, 7, 9, 11, 17, & 18)