

# HVLP/COMPLIANT SPRAY GUNS GRAVITY



## LS-400 SERIES 2 BASE



### FEATURES

- HVLP spray gun with low operating air pressure
- Exclusive Split Nozzle™ 2.0 Technology for repeatable results and unmatched performance
- Ideal for a wide range of solvent and waterborne base coat applications
- Nozzle configurations to optimize your paint and climate conditions
- Optional DPG1 high-performance digital pressure regulator allows air adjustment convenience without disrupting the spray gun ergonomics

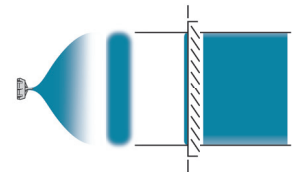
TECHNICAL	digital	ø mm	application speed	no.	bar/psi	m <sup>2</sup> /min	CFM	mm/in
-----------	---------	------	-------------------	-----	---------	---------------------	-----	-------

ET: FOR STANDARD CLIMATE APPLICATION									
LS-400-SR2D-1206	Y	1.2 ET	CONTROL	LS-400-06	1.8/26	165	14.1	230/9.1	
LS-400-SR2-1206			STANDARD					235/9.3	
LS-400-SR2D-1306	Y	1.3 ET	SPEED					185	240/9.4
LS-400-SR2-1306			HIGH SPEED					190	245/9.6
LS-400-SR2D-1406	Y	1.4 ET							
LS-400-SR2-1406									
LS-400-SR2D-1506	Y	1.5 ET							
LS-400-SR2-1506									

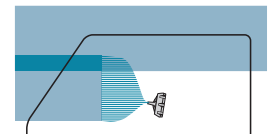
ETS: FOR HOT/DRY CLIMATE APPLICATION									
LS-400-SR2D-12S06	Y	1.2 ETS	CONTROL	LS-400-06	1.8/26	160	14.8	200/7.9	
LS-400-SR2-12S06			STANDARD					170	205/8.1
LS-400-SR2D-13S06	Y	1.3 ETS	SPEED					185	210/8.3
LS-400-SR2-13S06			HIGH SPEED					195	215/8.5
LS-400-SR2D-14S06	Y	1.4 ETS							
LS-400-SR2-14S06									
LS-400-SR2D-15S06	Y	1.5 ETS							
LS-400-SR2-15S06									

Air Nipple: G1/4" • Fluid Nipple: G1/4"

**SERIES 2 EXCLUSIVE SPLIT NOZZLE™ 2.0**



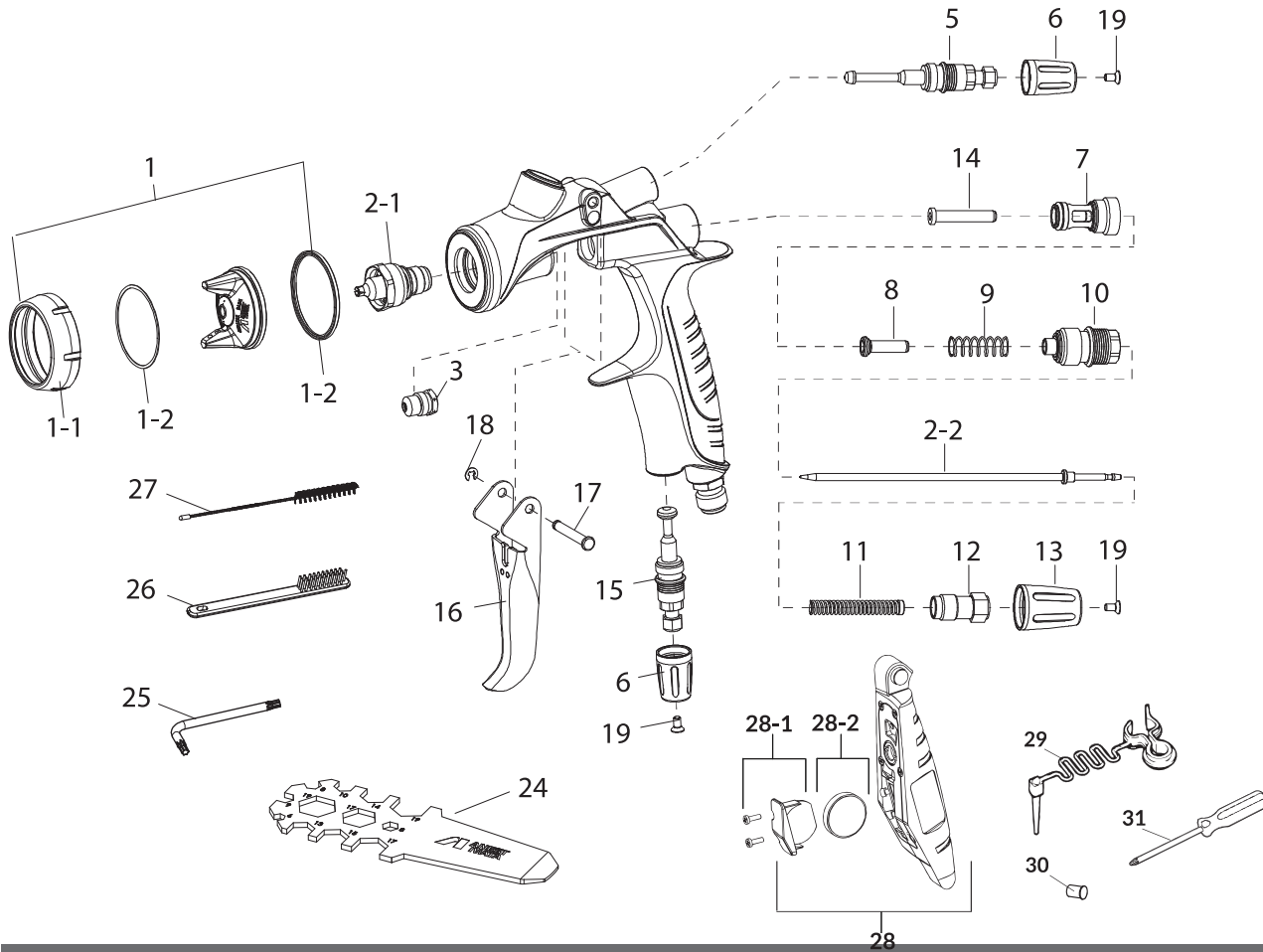
**Optimized ANEST IWATA Fan Pattern**



**50-15% overlap**

ORDER Information	1.2 ET	1.3 ET	1.4 ET	1.5 ET	1.2 ETS	1.3 ETS	1.4 ETS	1.5 ETS
ECO SET WITH DIGITAL GRAVITY SPRAY GUN + PCG7D2 - 700 ml	2912D	2913D	2914D	2915D	2912SD	2913SD	2914SD	2915SD
ECO SET WITH GRAVITY SPRAY GUN + PCG7D2 - 700 ml	2912	2913	2914	2915	2912S	2913S	2914S	2915S
NOZZLE + NEEDLE SET	93008160	93008070	93008180	93008200	93008230	93008250	93008270	93008290
AIR CAP SET	<b>LS-400-06</b> 93008030							





## SPARE PARTS

Ref.	Code	Description	Qty.
1	93008030	AIR CAP SET 06	
1-1	93008060	AIR CAP RING (GREEN)	
1-2	93018310	PACKING SET	2
2.1+2.2	93008160	NOZZLE NEEDLE SET 1.2 ET	
2.1+2.2	93008070	NOZZLE NEEDLE SET 1.3 ET	
2.1+2.2	93008180	NOZZLE NEEDLE SET 1.4 ET	
2.1+2.2	93008200	NOZZLE NEEDLE SET 1.5 ET	
2.1+2.2	93008230	NOZZLE NEEDLE SET 1.2 ETS	
2.1+2.2	93008250	NOZZLE NEEDLE SET 1.3 ET S	
2.1+2.2	93008270	NOZZLE NEEDLE SET 1.4 ETS	
2.1+2.2	93008290	NOZZLE NEEDLE SET 1.5 ETS	
3	93810620	NEEDLE PACKING ASSY	
3	93001410	SELF ADJUSTING NEEDLE PACKING (OPTIONAL)	
5	93008420	PATTERN ADJ. ASSY	
6	93008820	PATTERN ADJ. KNOB (GREEN)	
7	93001640	AIR VALVE SEAT ASSY	
8	93001690	AIR VALVE	
9	93001700	AIR VALVE SPRING	
10	93008840	FLUID ADJ. GUIDE ASSY	
11	93002820	FLUID NEEDLE SPRING ASSY	
12	93505823	FLUID ADJ. SCREW	

Ref.	Code	Description	Qty.
13	93008860	FLUID ADJ. KNOB (GREEN)	
14	93001790	AIR VALVE SHAFT	
15	93008872	AIR ADJ. ASSY	
16	93008890	TRIGGER	
17	93505860	TRIGGER STUD	
18	96612025	E STOPPER	
19	93512741	TORX SOCKET COUNTERSUNK HEAD SCREWS	
24	93538600	UNIVERSAL SPANNER	
25	03506480K	ALLEN WRENCH SET	3
26	W2COM6163	BRUSHES	5
27	W2COM6162	TWISTED BRUSH Ø10MM	5
28	930114A0	DPG-1 PSI	
28-1	930325A0	BATTERY HOLDER SPARE KIT	
28-2	930083A0	BATTERY	
29	930357A0	TRIGGER LOCKING CLIP	
30	930366A0	PLUGS	5
31	960024A0	SCREWDRIVER	

## ACCESSORIES

Ref.	Code	Description
	930443A0	REPAIR SERVICE KIT (7, 9, 11, 14, 10, 17, 18, & 3)